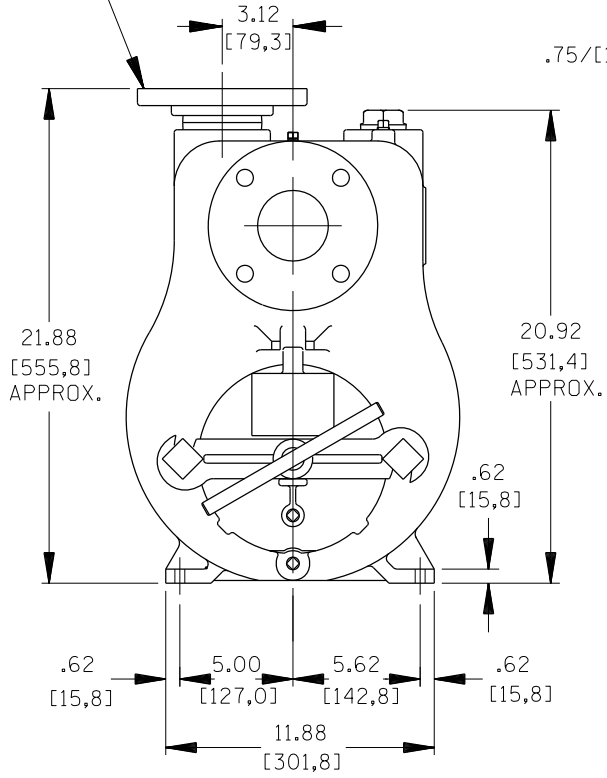
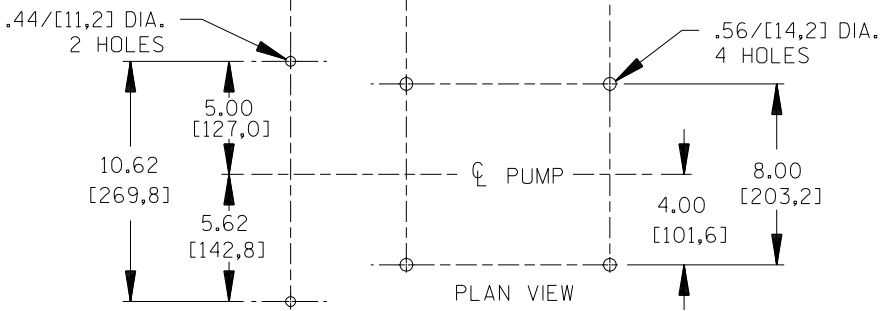
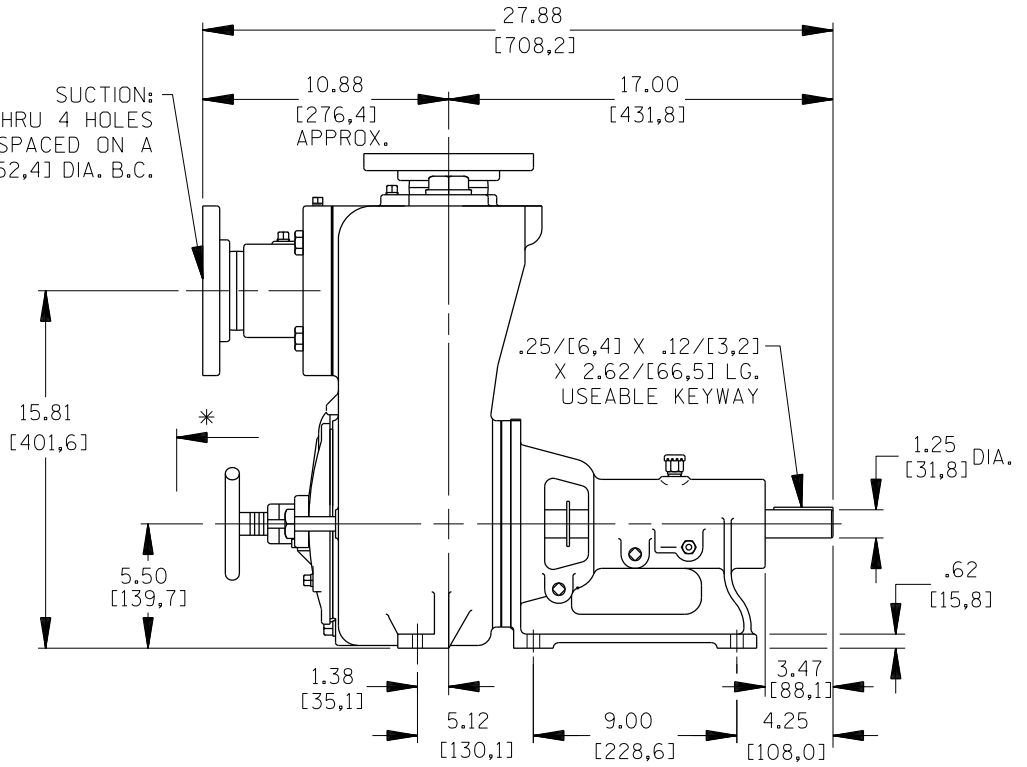


B 12915B

DISCHARGE:
 .75/[19,1] DIA. THRU 4 HOLES
 EQUALLY SPACED ON A
 6.00/[152,4] DIA. B.C.



SUCTION:
 .75/[19,1] DIA. THRU 4 HOLES
 EQUALLY SPACED ON A
 6.00/[152,4] DIA. B.C.



*18.00/[457,2] RECOMMENDED FOR
 REMOVAL OF BACK COVER PLATE
 7.50/[190,5] REQUIRED FOR
 REMOVAL OF BACK COVER PLATE

DIMENSIONS:
 INCHES
 [MILLIMETERS]

	THE GORMAN-RUPP CO. MANSFIELD, OHIO ST. THOMAS, ONTARIO		DRAWN BY REP DATE 9-21-00	SCALE 3/16 REVISED	MODEL 13C-B OUTLINE NUMBER 12915B