



S SERIES PUMPS

S4E's

All Materials And Voltages

MANUAL
PART 3 of 3

MAINTENANCE
AND
REPAIR
WITH
TROUBLESHOOTING

THE GORMAN-RUPP COMPANY • MANSFIELD, OHIO

GORMAN-RUPP OF CANADA LIMITED • ST. THOMAS, ONTARIO, CANADA Printed in U.S.A.

www.gormanrupp.com

©Copyright by the Gorman-Rupp Company

INTRODUCTION

Thank You for purchasing a Gorman-Rupp S Series Pump. **Read this manual** carefully to learn how to safely maintain and service your pump. Failure to do so could result in personal injury or damage to the pump.

A set of three manuals accompanies your pump. The Installation/Operation Manual contains essential information on installing and operating the pump, and on making electrical connections. The Parts List Manual provides a performance curve, a pump model cross-section drawing, and parts list for your pump.

This Maintenance and Repair Manual provides troubleshooting and maintenance instructions required to properly diagnose operational problems, and to service the pump components. Pump motor maintenance may be performed **only** by a Gorman-Rupp authorized Submersible repair facility, or the factory. Otherwise, the pump warranty will be negated, and damage to the pump, and injury or death to personnel can result. Contact the factory for the authorized repair facility closest to you.

As described on the following page, this manual will alert personnel to known procedures which require special attention, to those which could dam-

age equipment, and to those which could be dangerous to personnel. However, this manual cannot possibly anticipate and provide detailed precautions for every situation that might occur during maintenance of the unit. Therefore, it is the responsibility of the owner/maintenance personnel to ensure that **only** safe, established maintenance procedures are used, and that any procedures not addressed in this manual are performed **only** after establishing that neither personal safety nor pump integrity are compromised by such practices.

If there are any questions regarding the pump which are not covered in this manual or in other literature accompanying the unit, please contact your Gorman-Rupp distributor or the Gorman-Rupp Company:

The Gorman-Rupp Company
P.O. Box 1217
Mansfield, Ohio 44901-1217
Phone: (419) 755-1011
 or:
Gorman-Rupp of Canada Limited
70 Burwell Road
St. Thomas, Ontario N5P 3R7
Phone: (519) 631-2870

CONTENTS

SAFETY – SECTION A

TROUBLESHOOTING – SECTION B

ELECTRICAL TESTING	PAGE B – 3
Test Equipment	PAGE B – 3
Voltage Imbalance	PAGE B – 3
Motor and Power Cable Continuity	PAGE B – 4
Insulation Resistance	PAGE B – 4

PUMP MAINTENANCE AND REPAIR – SECTION C

GENERAL INFORMATION	PAGE C – 1
Lifting	PAGE C – 1
TYPICAL PUMP ASSEMBLY	PAGE C – 2
PUMP ASSEMBLY PARTS IDENTIFICATION LIST	PAGE C – 3
TERMINAL HOUSING AND CABLE ASSEMBLY	PAGE C – 4
TERMINAL HOUSING AND CABLE ASSEMBLY PARTS IDENTIFICATION LIST	PAGE C – 5
PUMP END DISASSEMBLY	PAGE C – 6
PUMP END REASSEMBLY	PAGE C – 8
MOTOR DISASSEMBLY	PAGE C – 12
MOTOR REASSEMBLY	PAGE C – 14

FINAL ASSEMBLY PAGE C – 21
 VACUUM TESTING PAGE C – 21
 LUBRICATION PAGE C – 22

RECORDING MODEL AND SERIAL NUMBERS

Please record the pump model, serial number, voltage, and motor frame size in the spaces provided below. Your Gorman-Rupp distributor needs this information when you require parts or service.

Pump Model: _____
 Serial Number: _____
 Voltage: _____
 Phase: _____

WARRANTY INFORMATION

The warranty provided with your pump is part of Gorman-Rupp’s support program for customers

The following are used to alert personnel to procedures which require special attention, to those which could damage equipment, and to those which could be dangerous to personnel:



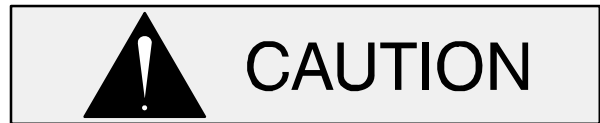
Immediate hazards which WILL result in severe personal injury or death. These instructions describe the procedure required and the injury which will result from failure to follow the procedure.



Hazards or unsafe practices which COULD result in severe personal injury or death. These instructions describe the procedure required and the injury which could result from failure to follow the procedure.

who operate and maintain their equipment as described in this and the other accompanying literature. The integral electric motor must be operated through the control furnished with the pump as standard equipment. Please note that should the equipment be abused or modified to change its performance beyond the original factory specifications, the warranty will become void and any claim will be denied.

All repairs to the pump motor **must** be performed by a Gorman-Rupp authorized Submersible repair facility or the factory. Any repairs to the motor assembly performed by the customer or an unauthorized repair facility negates motor warranty.



Hazards or unsafe practices which COULD result in minor personal injury or product or property damage. These instructions describe the requirements and the possible damage which could result from failure to follow the procedure.

NOTE

Instructions to aid in installation, operation, and maintenance or which clarify a procedure.

SAFETY – SECTION A

The following information applies throughout this manual to Gorman-Rupp S Series submersible motor driven pumps.

This manual will alert personnel to known procedures which require special attention, to those which could damage equipment, and to those which could be dangerous to personnel. However, this manual cannot possibly anticipate and provide detailed instructions and precautions for every situation that might occur during maintenance of the unit. Therefore, it is the responsibility of the owner/maintenance personnel to ensure that only safe, established maintenance procedures are used, and that any procedures not addressed in this manual are performed only after establishing that neither personal safety nor pump integrity are compromised by such practices.

This manual contains essential information on troubleshooting and maintaining the pump. In addition to this manual, see the separate literature covering installation and operation, pump parts, and any optional equipment shipped with the pump.



Before attempting to open or service the pump:

1. Familiarize yourself with this manual.
2. Lock out incoming power to the control box to ensure that the pump will remain inoperative.
3. Allow the pump to completely cool if overheated.

4. Close the discharge valve (if used).



This pump is not designed to pump volatile, explosive, or flammable materials. Do not attempt to pump any liquids for which your pump is not approved, or which may damage the pump or endanger personnel as a result of pump failure. Consult the factory for specific application data.



Before connecting any cable to the control box, be sure to ground the control box. Refer to the Control Box manual for the suggested grounding methods.



The pump motor is designed to be operated through the control box furnished with the pump. The control box provides overload protection and power control. Do not connect the pump motor directly to the incoming power lines.



The electrical power used to operate this pump is high enough to cause injury or death. Obtain the services of a qualified electrician to make all electrical connections. Make certain that the pump and enclosure are properly grounded; never use gas pipe as an electrical ground. Be sure that the incoming power matches the voltage and

phase of the pump and control before connecting the power source. Do not run the pump if the voltage is not within the limits. If the overload unit is tripped during pump operation, correct the problem before restarting the pump.



The electrical power used to operate this pump is high enough to cause injury or death. Make certain that the control handle on the control box is in the OFF position and locked out, or that the power supply to the control box has been otherwise cut off and locked out, before attempting to open or service the pump assembly. Tag electrical circuits to prevent accidental start-up.



Never attempt to alter the length or repair any power cable with a splice. The pump motor and cable must be completely waterproof. Injury or death may result from alterations.



All electrical connections must be in accordance with The National Electric Code and all local codes. If there is a conflict between the instructions provided and N.E.C. Specifications, N.E.C. Specifications shall take precedence. All electrical equipment supplied with this pump was in conformance with N.E.C. requirements in effect on the date of manufacture. Failure to follow applicable specifications, or substitu-

tion of electrical parts not supplied or approved by the manufacturer, can result in severe injury or death and void warranty.



After the pump has been installed, make certain that the pump and all piping or hose connections are secure before operation.



Approach the pump cautiously after it has been running. Although the motor is cooled by the liquid being pumped, normal operating temperatures can be high enough to cause burns. The temperature will be especially high if operated against a closed discharge valve. Never operate against a closed discharge valve for long periods of time.



Do not attempt to lift the pump by the motor power cable or the piping. Attach proper lifting equipment to the lifting device fitted to the pump. If chains or cable are wrapped around the pump to lift it, make certain that they are positioned so as not to damage the pump, and so that the load will be balanced.



Obtain the services of a qualified electrician to troubleshoot, test and/or service the electrical components of this pump.

TROUBLESHOOTING – SECTION B

Review all SAFETY information in Section A.



The following precautions should be taken before attempting to service the pump; otherwise, injury or death could result.

1. Familiarize yourself with this manual and with all other literature shipped with the pump.
2. Lock out incoming power to the pump or control box to ensure that the pump will remain inoperative.
3. Allow the pump to completely cool if overheated.
4. Check the temperature before opening any covers, plates or plugs.
5. Close the discharge valve (if used).



The electrical power used to operate this pump is high enough to cause injury or death. Obtain the services of a qualified electrician to troubleshoot, test and/or service the electrical components of this pump.

NOTE

Many of the probable remedies listed below require use of electrical test instruments; for specific procedures, see **ELECTRICAL TESTING** following the chart.

TROUBLE	POSSIBLE CAUSE	PROBABLE REMEDY
<p>PUMP FAILS TO START, OVERLOAD UNIT NOT TRIPPED (MANUAL MODE)</p> <p>(AUTOMATIC MODE)</p>	Power source incompatible with control box.	Correct power source.
	No voltage at line side of circuit breaker.	Check power source for blown fuse, open overload unit, broken lead, or loose connection.
	Open circuit in motor windings or power cable.	Check continuity.
	Defective motor power cable.	Replace cable.
	Motor defective.	Check for and replace defective unit.
	Liquid level device or control circuits improperly connected to main control box.	Check wiring diagrams; correct or tighten connections.
	Level sensing device(s) improperly positioned.	Position device(s) at proper level.
Level sensing device(s) fouled with mud or foreign material.	Clean sensing device(s).	

TROUBLE	POSSIBLE CAUSE	PROBABLE REMEDY
(AUTOMATIC MODE) (CONT'D.)	<p>Float type sensing device(s) tangled or obstructed.</p> <p>Defective liquid level sensing device(s) or control panel.</p>	<p>Check installation for free movement of float.</p> <p>Repair or replace defective unit(s).</p>
OVERLOAD UNIT TRIPS	<p>Low or high voltage, or excessive voltage drop between pump and control box.</p> <p>Defective insulation in motor windings or power cable; defective windings.</p> <p>Impeller jammed due to debris or insufficient clearance.</p> <p>Bearing(s) frozen.</p>	<p>Measure voltage at control box. Check that wiring is correct type, size and length. (See Field Wiring Connections, Section B).</p> <p>Check insulation resistance; check continuity.</p> <p>Disassemble pump and check impeller.</p> <p>Disassemble pump and check bearing(s).</p>
MOTOR RUNS, BUT PUMP FAILS TO DELIVER RATED DISCHARGE	<p>Discharge head too high.</p> <p>Low or incorrect voltage.</p> <p>Discharge throttling valve partially closed; check valve is installed improperly.</p> <p>Discharge line clogged or restricted; hose kinked.</p> <p>Liquid being pumped too thick.</p> <p>Strainer screen or impeller clogged.</p> <p>Insufficient liquid in sump or tank.</p> <p>Worn impeller vanes; excessive impeller clearance.</p> <p>Pump running backwards.</p>	<p>Reduce discharge head, or install staging adaptor and additional pump.</p> <p>Measure control box voltage, both when pump is running and when shut-off.</p> <p>Open discharge valve fully; check piping installation.</p> <p>Check discharge lines; straighten hose.</p> <p>Dilute liquid by heating if possible.</p> <p>Clear clog(s). Stop pump; back flow may flush away debris.</p> <p>Stop pump until liquid level rises.</p> <p>Check impeller and clearance. See PUMP END REASSEMBLY.</p> <p>Check direction of rotation and correct by interchanging any two motor leads at control box. (See Pump Rotation, Section C).</p>

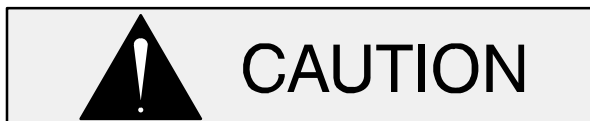
TROUBLE	POSSIBLE CAUSE	PROBABLE REMEDY
PUMP RUNS WITH EXCESSIVE NOISE OR VIBRATION	Pumping entrained air.	Check liquid level in sump; check position of pump and liquid level sensing device(s).
	Damaged or unbalanced impeller.	Replace impeller.
	Discharge piping not properly supported.	Check piping installation.
	Impeller jammed or loose.	Check impeller.
	Motor shaft or bearings defective.	Disassemble pump and check motor and bearings.
	Pump cavitation.	Reduce discharge head, or restrict flow on low head applications.

ELECTRICAL TESTING

If you suspect that pump malfunctions are caused by defects in the motor, power cable or control box, perform the following checks to help isolate the defective part.



Obtain the services of a qualified electrician to troubleshoot, test and/or service the electrical components of this pump.



Be certain to refer to the wiring diagram(s) in the Installation Section of this manual before reconnecting any electrical components which have been disconnected.

Test Equipment

A volt/amp/ohmmeter and megohmmeter of adequate range and quality will be required to conduct the following electrical tests. The suggested equipment indicated below is commercially available, or an equivalent substitute may be used.

Equipment	Use
Ammeter	To check AC Voltage and current (amperage)
Ohmmeter	To measure resistance (ohms) to ground

Voltage Imbalance

Each phase of the incoming three-phase power must be balanced with the other two as accurately as a commercial voltmeter will read. If the phases are balanced, check out the motor as described below. If the phases are out of balance, contact your power company and request that they correct the condition.

- Use a voltmeter, amprobe, or equivalent meter to read the voltage across terminals 1 & 2, 2 & 3, and 1 & 3 in the control box. All three measured voltages must be the same, as accurately as the meter will read. If possible, measure the voltage with the pump off, with the pump running but out of the water, and with the pump running in the water at full load. All the measured voltages at each condition must be the same.
- Use an amprobe or equivalent meter to measure the current draw of each phase

while the pump is running at full load and at no load. All three amperage readings must be the same at each condition, as accurately as the meter will read. Nominal amperage values are listed in Table 1, but these apply only when the actual voltage at the site is the nominal voltage listed.

- c. If the voltages are balanced with the pump off, but are unbalanced when the pump is running, a thorough check of the power source, all interconnecting cables, and the pump motor is required to isolate the defect.

Motor And Motor Power Cable Continuity

To check continuity, zero-balance the ohmmeter set at the RX1 scale, and test as follows:

- a. Disconnect the motor power cable leads from the control box and connect the test leads to any two of the three power cable leads (not to the green ground lead or yellow ground check lead). If there is a high resistance reading on the ohmmeter, there is an open or broken circuit caused by a break in the power cable or motor windings, or by a bad connection between the motor and the power cable. Switch one test lead to the third power lead, and test again.
- b. If an open or broken circuit is indicated, check the power cable for obvious damage, and replace as necessary (see **MAINTENANCE AND REPAIR**). If there is no apparent damage to the motor cable, remove the terminal housing (see **MAINTENANCE AND REPAIR**) and check the continuity of each power cable lead at the terminal posts.

NOTE

When shipped from the factory, the connections between the power cable leads and the terminal posts were encapsulated in heat shrink tubing and bonded to the terminal plate to provide a water tight seal. In service, these connections may have been potted by the pump operator. Do not cut the tubing or potting away unless absolutely necessary. Check the continuity of each lead from the motor side of the terminal plate. If the continuity is good, there is no need to remove the tubing or potting material. If there is no continuity through the lead, re-

*move the tubing or potting from only that terminal, and check for a loose connection. Be sure to replace the tubing or potting and allow adequate drying time before putting the pump back into service. (See **Power Cable Reassembly**, Section E).*

- c. If an open circuit still exists after each lead (terminal) has been tested and tightened, then the **entire** motor power cable must be replaced. Splicing or other means of repair are not recommended.
- d. If no break is found in the power cable, check the motor leads for continuity. If the test reading indicates an open or broken circuit, there is an open circuit in the motor.

NOTE

It is recommended that a pump with a defective motor be returned to Gorman-Rupp, or to one of the Gorman-Rupp authorized Submersible Repair Centers.

Insulation Resistance

To check insulation, zero-balance the ohmmeter set at the RX100K scale, and test as follows:

- a. Disconnect the motor power cable leads from the control box. Connect one test lead to the power cable green ground lead, and touch the other test lead to each of the three power leads in turn.
- b. The reading obtained will indicate resistance values in both the power cable and the motor windings. If the resistance reading is infinity (∞), the insulation is in good condition. If the reading is between infinity (∞) and 1 megohm, the insulation is acceptable but should be rechecked periodically. If the reading is less than 1 megohm, the insulation should be checked more closely; a reading of zero indicates that the power cable or the motor is grounded.
- c. To determine whether the power cable or the motor is grounded, remove the terminal housing (see **MAINTENANCE AND REPAIR**), disconnect the motor leads from the motor terminals, and test the power cable leads and motor leads separately.

PUMP MAINTENANCE AND REPAIR – SECTION C

GENERAL INFORMATION

Review all SAFETY information in Section A.



Do not attempt to service the pump assembly unless all power to the motor has been shut off at the control box; otherwise, injury or death could result.

Use a lifting device with sufficient capacity. If slings or chains are used to move the pump or components, make sure that the load is balanced; otherwise serious personal injury or death could result.

The maintenance and repair instructions in this manual are keyed to the sectional views, Figures C-1, C-2 or C-3, and the corresponding parts identification lists. Refer to the separate Parts List Manual for replacement parts.

Select a suitable location, preferably indoors, to perform required maintenance. All work must be performed by qualified personnel.



All repairs to the pump motor must be per-

formed by a Gorman-Rupp authorized Submersible repair facility or the factory. Any repairs to the motor assembly performed by the customer or an unauthorized repair facility negates the warranty.

This Maintenance and Repair Manual provides troubleshooting and maintenance instructions required to properly diagnose operational problems, and to service the pump components. Pump motor maintenance may be performed **only** by a Gorman-Rupp authorized Submersible repair facility, or the factory. Otherwise, the pump warranty will be negated, and damage to the pump, and injury or death to personnel can result. Contact the factory for the authorized repair facility closest to you.

Check **TROUBLESHOOTING**, Section B to determine causes and remedies of pump problems. Disassemble the pump only as far as required.

Lifting

Use lifting equipment with a capacity of **at least five times the weight of the pump**, including the weight of any options or customer-installed accessories. Contact the factory or refer to the pump Specification Data Sheet for the weight of your pump. Discharge hose or piping **must** be removed before attempting to lift the pump.

SECTION DRAWING

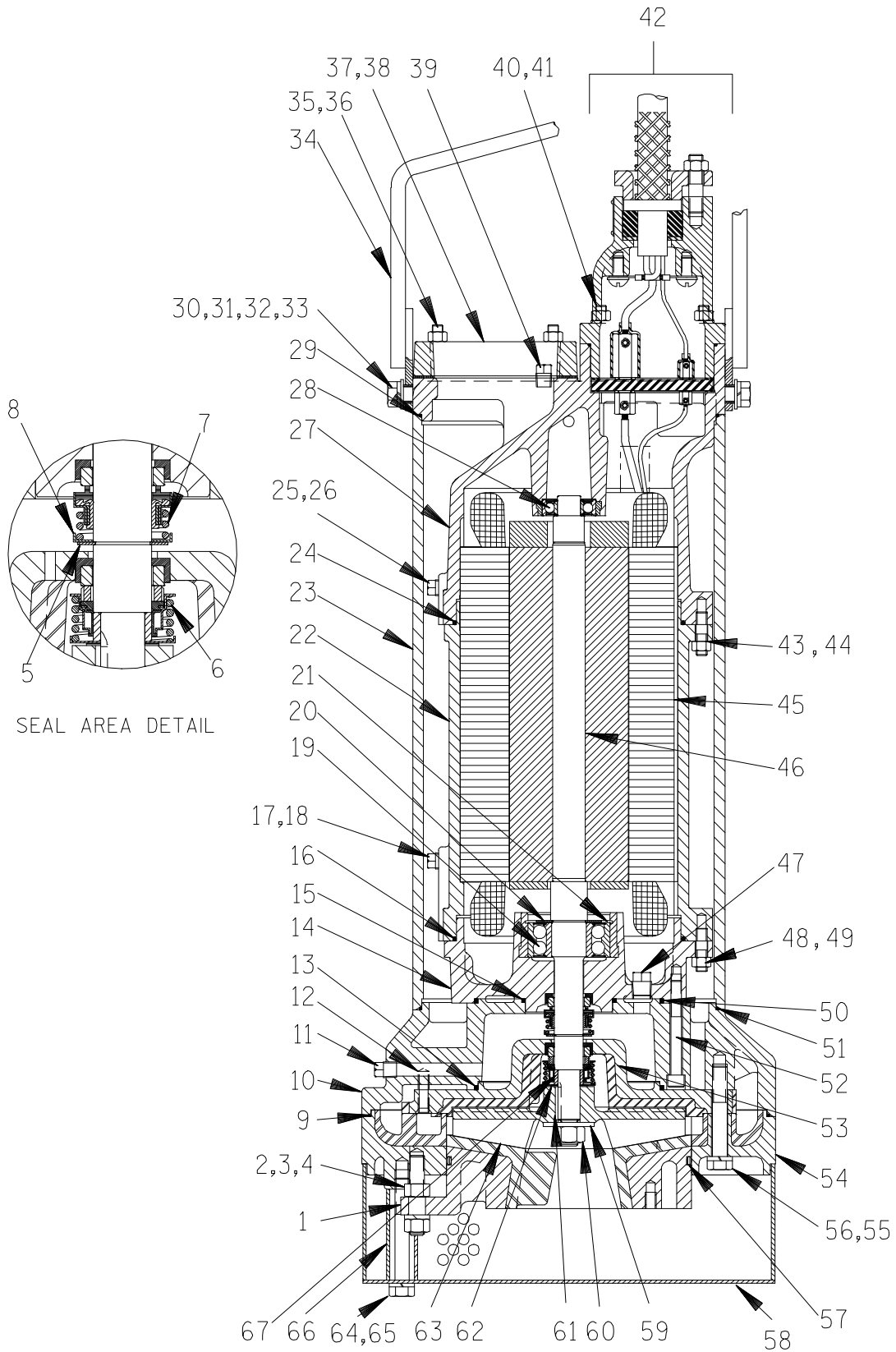


Figure C-1. Typical S4E Series Pump Assembly

Typical S4E Series Pump Assembly Parts Identification List

Refer to the separate Parts List Manual for serviceable parts, part numbers and quantities.

ITEM NO.	PART NAME	ITEM NO.	PART NAME
1	SUCTION HEAD	35	STUD
2	THREADED ROD	36	HEX NUT
3	HEX NUT	37	DISCHARGE FLANGE
4	LOCK WASHER	38	DISCHARGE FLANGE GASKET
5	RETAINING RING	39	PIPE PLUG
6 *	LOWER SEAL ASSEMBLY	40	STUD
7	UPPER SEAL ASSEMBLY	41	DEFORM LOCKNUT
8	SPRING HOLDER	42	TERMINAL HOUSING & CABLE ASSY
9	SUCTION HEAD O-RING	43	STUD
10	INTERMEDIATE	44	DEFORM LOCKNUT
11	SEAL CAVITY DRAIN/FILL PLUG	45	STATOR ASSEMBLY
12	FLAT HEAD MACHINE SCREW	46	ROTOR/SHAFT ASSEMBLY
13	SEAL PLATE O-RING	47	PIPE PLUG
14	LOWER MOTOR HOUSING	48	STUD
15	LOWER MOTOR HOUSING O-RING	49	DEFORM LOCKNUT
16	LOWER MOTOR HOUSING O-RING	50	LOWER MOTOR HOUSING O-RING
17	PIPE PLUG	51	CASING O-RING
18	ALLEN HEAD SETSCREW	52	SOCKET HEAD CAPSCREW
19	LOWER BALL BEARING	53	SEAL PLATE
20	BEARING SNAP RING	54	DIFFUSER
21	OUTER RETAINING RING	55	HEX HEAD CAPSCREW
22	MIDDLE MOTOR HOUSING	56	LOCKWASHER
23	PUMP CASING	57	SUCTION HEAD O-RING
24	MIDDLE MOTOR HOUSING O-RING	58	STRAINER ASSEMBLY
25	PIPE PLUG	59	FLAT WASHER
26	ALLEN HEAD SETSCREW	60	HEX NUT
27	UPPER MOTOR HOUSING	61	IMPELLER KEY
28	UPPER BALL BEARING	62	IMPELLER SHIM SET
29	CASING O-RING	63 *	IMPELLER
30	BUSHING	64	HEX HEAD CAPSCREW
31	HEX HEAD CAP SCREW	65	LOCKWASHER
32	LOCKWASHER	66	SUPPORT PIPE
33	FLAT WASHER	67	SHAFT SLEEVE
34	HOIST BAIL		

SECTION DRAWING

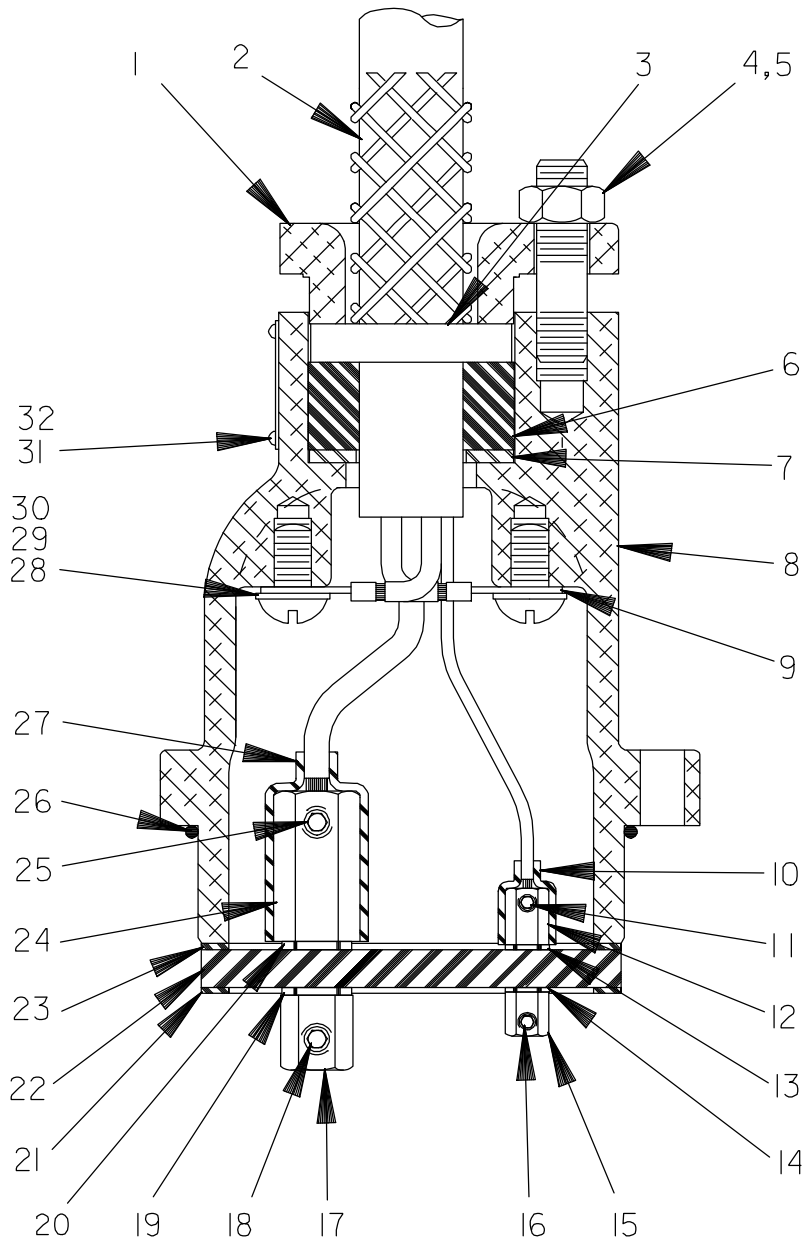


Figure C-2. Model S4E Terminal Housing And Cable Assembly

Model S4E Terminal Housing And Cable Assembly Parts Identification List

Refer to the separate Parts List Manual for serviceable parts, part numbers and quantities.

ITEM NO.	PART NAME
1	TERMINAL GLAND
2	CABLE – 50 FT
3	CABLE GRIP
4	STUD
5	HEX NUT
6	GLAND BUSHING
7	TERMINAL WASHER
8	TERMINAL HOUSING
9	TERMINAL
10	HEAT SHRINK TUBE
11	ALLEN HEAD SETSCREW
12	TERMINAL COLLAR
13	DYNA SEAL WASHER
14	DYNA SEAL WASHER
15	TERMINAL POST
16	ALLEN HEAD SETSCREW
17	TERMINAL POST
18	ALLEN HEAD SETSCREW
19	DYNA SEAL WASHER
20	DYNA SEAL WASHER
21	TERMINAL PLATE GASKET
22	TERMINAL PLATE
23	TERMINAL PLATE GASKET
24	TERMINAL COLLAR
25	ALLEN HEAD SETSCREW
26	O-RING
27	HEAT-SHRINK TUBE
28	TERMINAL
29	ROUND HEAD MACHINE SCREW
30	T TYPE LOCKWASHER
31	DRIVE SCREW
32	INFORMATION PLATE

PUMP END DISASSEMBLY

References are to Figure C-1 and Figure C-2.

Review all SAFETY information in Section A.

Follow the instructions on all tags, label and decals attached to the pump.

The following maintenance and repair instructions are keyed to the Pump Model sectional view (Figure C-1) and the Terminal Housing sectional views (Figure C-2), and the accompanying parts lists. Refer to the Parts List manual for the part number and quantity required.

Before attempting to service the pump or control, terminate the power supply to the control box. Close the discharge throttling valve, if so equipped.



The electrical power used to operate this pump is high enough to cause injury or death. Make certain that the control handle on the control box is in the OFF position and locked out, or that the power supply to the control box has been otherwise cut off and locked out, before attempting to open or service the pump assembly. Tag electrical circuits to prevent accidental start-up.

Use the hoisting bail to remove the pump from the wet well or sump, and move it to a location where the discharge line can be removed. It is not necessary to disconnect a flexible discharge hose before removing the pump. If rigid discharge piping is used, disconnect the piping before attempting to move the pump.



Do not attempt to lift the pump by the motor power cable or the piping. Attach proper lifting equipment to the lifting device fitted to the pump. If chains or

cable are wrapped around the pump to lift it, make certain that they are positioned so as not to damage the pump, and so that the load will be balanced.

Select a suitable location, preferably indoors, to perform the degree of maintenance required. If the motor housing is to be opened, the work must be done in a clean, well-equipped shop. All maintenance functions must be done by qualified personnel.

Check the chart in **TROUBLESHOOTING**, Section B of this manual, to determine the nature of the pump problem. If the problem is mechanical in nature, such as worn pump parts, seal replacement, lubrication, etc., refer to **PUMP END DISASSEMBLY** for instructions.

If the problem is electrical, complete disassembly may not be required. Refer to **Electrical Testing in TROUBLESHOOTING**, Section B, and have a qualified electrician check the control box, cable and terminal housing. If the problem is determined to be in the motor, proceed with **PUMP END DISASSEMBLY**, followed by **MOTOR DISASSEMBLY**. Otherwise, see **Terminal Housing And Power Cable Disassembly**.

Carefully inspect any O-rings or gaskets before removal and cleaning to determine if a proper seal and compression existed prior to disassembly. If sealing was faulty or questionable, the cause must be determined and corrected before reassembly. All gaskets and most O-rings **must** be replaced if disturbed. Repair gaskets and O-rings are listed in the Parts List manual.

PUMP END DISASSEMBLY

Strainer And Suction Head Removal

(Figure C-1)

To remove the strainer assembly (58), raise the pump slightly, or lay it on its side and disengage the hardware (64 and 65) securing the strainer assembly to the intermediate (10). Disengage the hardware (3 and 4) to remove the suction head (1). If the impeller (63) is clogged, the debris can usually be removed without further disassembly.

Draining Oil From Seal Cavity

(Figure C-1)

If any further disassembly is to be performed on the pump, the seal oil cavity must be drained.



Let the pump cool before removing the seal cavity drain plug. Pressure built up within a hot pump could cause the oil to spray out when the plug is removed. Remove the plug slowly and permit pressure to vent to atmosphere.

Lay the pump on its side with the seal cavity drain plug (11) facing up. Clean any dirt from around the plug. Remove the plug, and install a short 1/4-inch NPT nipple in the hole. Tip the pump and drain the seal oil into a **clean** container. Inspect the oil for water, dirt, or cloudy condition which could indicate lower seal failure or poor gasket seal.

Positioning Pump For Disassembly

(Figure C-1)

It is recommended that the pump be positioned upside-down during disassembly. To hold the pump in the inverted position, rest the pump securely on blocks. Be careful not to damage the terminal housing and cable assembly (42) while in this position. Use adequate equipment and personnel to safely handle the pump until it is secured. If inverting the pump is not practical, lay the pump on its side and secure it to prevent rolling.

Diffuser Removal

(Figure C-1)

To remove the diffuser, disengage the hardware (55 and 56) securing the diffuser (54) to the seal plate (53). Remove the diffuser and diffuser O-ring (9), and discard the diffuser O-ring.

Impeller Removal

(Figure C-1)

Temporarily install two of the capscrews (55). Wedge a block of wood between the vanes of the impeller (63) and the capscrews to prevent impeller rotation. Remove the impeller nut (60) and washer (59). Remove the piece of wood from between the vanes of the impeller.

Install the impeller puller (supplied with the pump) and pull the impeller from the rotor shaft. Use caution when removing the impeller; tension on the seal spring will be released. Retain the impeller key (61). Inspect the impeller for wear or damage and replace as required.

Remove the impeller adjusting shims (62). Tie and tag the shims or measure and record their thickness for ease of reassembly.

If no further disassembly is required, proceed to the appropriate areas in **PUMP END REASSEMBLY**.

Lower Seal Removal

(Figures C-1 and C-4)

Carefully remove the spring retainer and seal spring. Lubricate the rotor shaft (46) and work oil under the bellows assembly. Slide the hooked ends of two stiff wires along the shaft and pull the sleeve (67) and the rotating portion of the seal from the shaft. Slide the retainer and bellows assembly off the sleeve.

To remove the stationary portion of the seal, remove the flat head machine screw (12) and separate the seal plate (53) from the intermediate (10). Remove and discard the seal plate O-ring (13). Place a **clean** cloth on a flat surface and place the seal plate on the cloth with the impeller side down. Use a drift pin or screwdriver to press on alternate sides of the stationary seat until the stationary element and seat are removed.

If no further disassembly is required, proceed to the appropriate areas in **PUMP END REASSEMBLY**.

Upper Seal Removal

(Figures C-1 and C-4)

Unless cracked or otherwise worn, it is not necessary to remove the intermediate (10) for access to

the upper seal assembly (7). If intermediate removal is desired, remove the socket head capscrews (52). Remove and discard the O-rings (9 and 13).

Remove the seal retaining ring (5) using snap ring pliers. Use caution when removing the retaining ring; tension on the seal spring will be released. Remove the spring holder (8) and seal spring.

Lubricate the rotor shaft (46) and work oil under the bellows. Slide the bellows and retaining assembly off the shaft. Slide the hooked ends of two wires along the shaft and under the stationary seal seat. Hook the back side of the seat and pull it from the lower motor housing bore.

If no further disassembly is required, proceed to the appropriate areas in **PUMP END REASSEMBLY**.

NOTE

*Do not disassemble the motor unless it is necessary and a clean, well-equipped shop is available. If the motor housing components are to be serviced, see **MOTOR DISASSEMBLY** in this section. Do not reassemble the end components at this time.*

PUMP END REASSEMBLY

NOTE

Reuse of old O-rings, gaskets, or shaft seal parts will result in premature leakage or reduced pump performance. It is strongly recommended that new gaskets and shaft seal assemblies be used during reassembly (see the parts lists for numbers).

Cleaning And Inspection Of Pump Parts

(Figure C-1)

With the pump inverted, stuff a clean tissue into the stationary seal seat bore of the lower motor housing (14) or wrap a small rag around the shaft to prevent foreign material from entering the motor cavity.

Carefully inspect any O-rings or gaskets before removal and cleaning to determine if a proper seal

and compression existed prior to disassembly. If sealing was faulty or questionable, the cause must be determined and corrected before reassembly. Replace any parts as required.

Thoroughly clean all reuseable parts with a soft cloth soaked in cleaning solvent. Remove all O-rings and gaskets, and clean the sealing surfaces of dirt or gasket material. Be careful not to scratch gasket surfaces.



Most cleaning solvents are toxic and flammable. Use them only in a well ventilated area free from excessive heat, sparks, and flame. Read and follow all precautions printed on solvent containers.

Inspect the rotor shaft (46) for damaged threads, scoring, or nicks. Remove nicks and burrs with a fine file or hand honing stone to restore original contours. If the shaft is bent or severely damaged, the rotor and shaft must be replaced as an assembly (see **MOTOR DISASSEMBLY**).

Neither of the shaft seal assemblies (6 or 7) should be reused because wear patterns on the finished faces cannot be realigned during reassembly. This could result in premature failure. If necessary to reuse an old seal in an **emergency, carefully** wash all metallic parts in fresh cleaning solvent and allow to dry thoroughly.

Handle the seal parts with extreme care to prevent damage. Be careful not to contaminate the precision finished faces; even fingerprints on the faces can shorten seal life. If necessary, clean the faces with a non-oil based solvent and a clean, lint-free tissue. Wipe **lightly** in a circular pattern to avoid scratching the faces.

Inspect the seal components for wear, scoring, grooves, and other damage that might cause leakage. If any components are worn, replace the complete seal; **never mix old and new seal parts.**

Install the shaft seals as illustrated in Figure C-3.

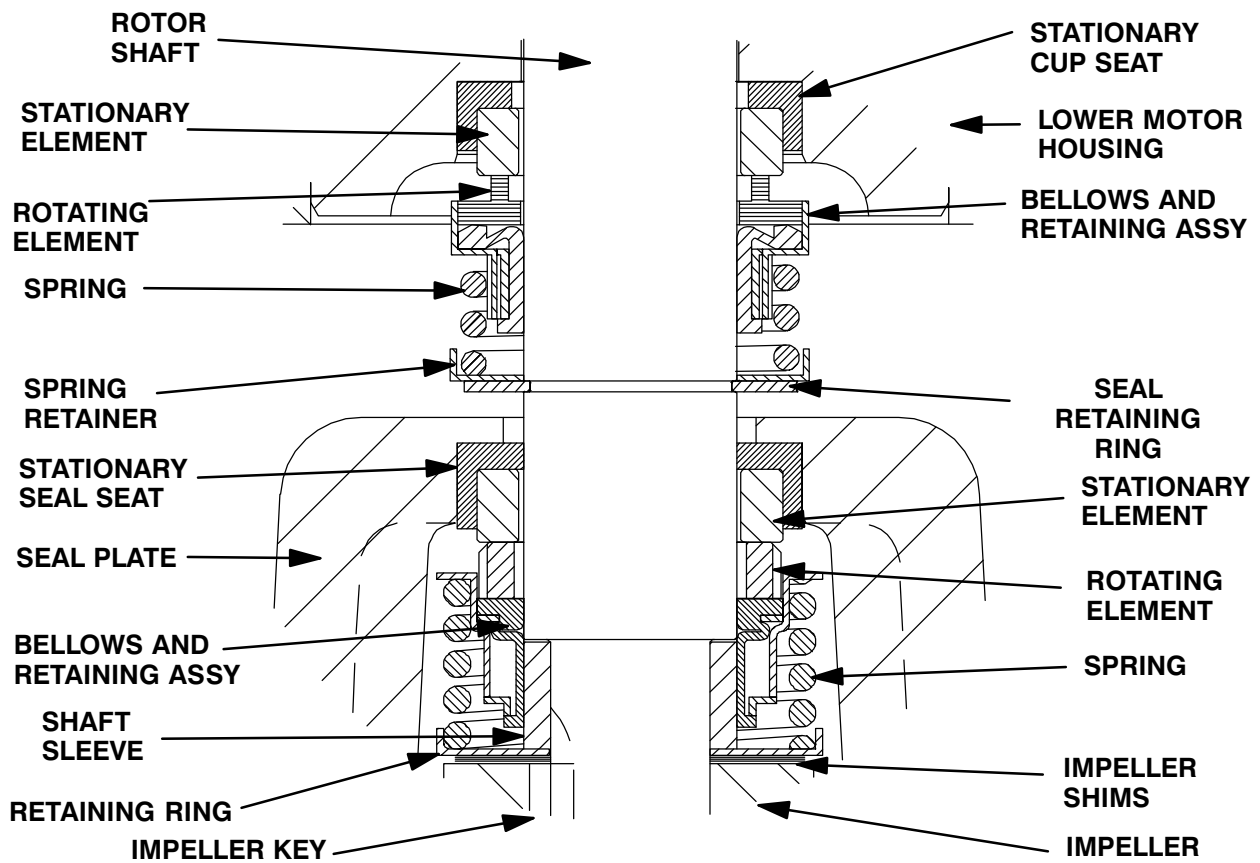
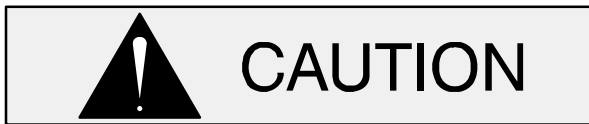


Figure C-3. Upper And Lower Seal Assemblies



This seal is not designed for operation at temperatures above 122° F (50° C). Do not use at higher operating temperatures.

Upper Seal Installation

(Figures C-1 and C-4)

Do not unwrap a new seal assembly until time of installation. Cleanliness of seal components is critical, especially the seal faces.

Clean the rotor shaft (46) and seal cavity area of the lower motor housing (14). Be sure the area is dry and free of lint and dirt. Check the seal bore for burrs or nicks that might prevent a good seal and a nicked or damaged keyway. Remove them with a fine file or hand honing stone to restore original contours. If the shaft is bent or damaged, the complete rotor and shaft must be replaced as an as-

sembly. Apply a **light** coating of oil to the bore of the lower motor housing.

Carefully remove the material stuffed into the seat bore (or unwrap the shaft). **Be sure** no debris stopped by the material falls into the seal cavity.

NOTE

When pressing seal components onto the shaft, use hand pressure only. A push tube cut from a length of plastic pipe will aid in installing seal components. The I.D. of the push tube should be approximately the same as the I.D. of the seal spring.

Subassemble the stationary element in the stationary seat. Position this subassembly in the lower motor housing bore with the sealing face up and cover the seal face with a clean tissue. Use your thumbs to press the assembly into the bore. Apply equal pressure on opposite sides until the seat contacts the bore shoulder. Remove the tissue and inspect the seal face to ensure that it is clean and dry. If cleaning is necessary, use clean tissue to wipe **lightly** in a circular pattern.

Unpack the rotating portion of the seal. Be certain the seal face of the rotating element is free of grit or surface damage. Because the rotating element may not stay in the bellows retainer when turned upside down, place a **small** amount of grease at equal spaces on the back of the element and position it in the bellows retainer. The grease should hold the element in position until the seal is installed. Assemble the drive grooves of the rotating element into the drive lugs of the bellows retainer.

Apply a **light** coating of oil to the seal seating surface on the shaft, the groove for the retaining ring (5), and I.D. of the bellows. Inspect the seal face to ensure that it is clean and dry. If cleaning is necessary, use a clean tissue to wipe in a circular pattern. Slide the seal rotating portion onto the lubricated shaft as shown in Figure C-4. Apply firm, steady pressure on the seal retainer until it slides down the shaft.

Slide the seal spring over the shaft and bellows retainer, and install the spring holder (8). Install the seal retaining ring (5). See Figure C-4 for the proper order of seal assembly.

Lower Seal Installation

(Figures C-1 and C-4)

Thoroughly clean the O-ring surfaces and seal bore of the seal plate (53). The seal bore must be free of burrs and nicks which could damage the seal. Inspect the seal plate for cracks, distortion, or erosion and replace it if defective.

If the intermediate (10) was removed, lubricate and install the O-rings (15, 50 and 51). Secure the intermediate to the lower motor housing using the socket head capscrews (52) and torquing evenly in a cross sequence to 22 ft. lbs. (264 in. lbs. or 3 m. kg.).

Position the seal plate on a clean flat surface with the impeller side up.

Unpack the stationary seat and element. Subassemble the stationary element in the stationary seat. Apply a **light** coating of oil to the seal plate bore and the O.D. of the seal seat and O-ring. Keep the sealing face dry.

Position the subassembly in the seal plate bore, and cover it with a clean tissue. Use your thumbs to press the seat into the bore. Apply equal pressure on opposite sides of the seat until it is fully seated in the bore. Remove the tissue and inspect the seal face to ensure that it is clean and dry. If cleaning is necessary, use clean tissue to wipe **lightly** in a circular pattern.

NOTE

When pressing seal components onto the rotor shaft, use hand pressure only. A push tube cut from a length of plastic pipe will aid in installing seal components. The I.D. of the push tube should be approximately the same as the I.D. of the seal spring.

Install the seal plate O-ring (13) on the seal plate. Carefully position the seal plate and stationary seal components on the rotor shaft and against the intermediate. **Be careful** not to damage the stationary element already installed. Secure the seal plate to the intermediate using the flat head machine screws (12).

Install the shaft sleeve (67) with the chamfered end toward the shaft shoulder. Lubricate the O.D. with a light coating of oil.

Unpack the rotating portion of the seal. Be certain the seal face of the rotating element is free of grit or surface damage. Because the rotating element may not stay in the bellows retainer when turned upside down, place a **small** amount of grease at equal spaces on the back of the element and position it in the bellows retainer. The grease should hold the element in position until the seal is installed. Assemble the drive grooves of the rotating element into the drive lugs of the bellows retainer. Apply a **light** coating of oil on the shaft and the I.D. of the bellows.

Slide the seal rotating portion onto the lubricated shaft with the seal face down. Apply firm, steady pressure on the bellows retainer until it slides down the shaft and the seal faces contact.

Slide the seal spring over the shaft and bellows retainer. See Figure C-3 for proper order of seal assembly.

Impeller Installation

(Figure C-1)

Inspect the impeller (1) for cracks, broken vanes, or wear from erosion, and replace it if damaged. Clean the threads on the rotor shaft to remove any old thread locking material. Be sure the impeller bore and the shaft are free of oily film and completely dry.

Install the same thickness of impeller adjusting shims (62) as previously removed. Install the impeller key (61). Align the keyway of the impeller (63) and push the impeller onto the shaft until seated firmly against the impeller shim set. Install the impeller washer (59) on the rotor shaft (46).

After the impeller clearance has been checked as described below, coat the threads of the rotor shaft with 'Loctite Threadlocker No. 242' or equivalent compound. Install the impeller nut (60). Wedge a block of wood between the vanes of the impeller and the threaded rod (2) and torque the impeller nut to 120 ft. lbs. (17 m. kg.).

Remove the block of wood. Turn the impeller to check for free rotation.

For maximum pump efficiency, there should be a clearance of .020 to .040 inch (0,5 to 1,02 mm) between the seal plate and the impeller. Use a feeler gauge to measure this clearance. If the clearance is not within the specific limits, remove the impeller. Add or remove adjusting shims (62) as required. Install the impeller and recheck impeller clearance.

NOTE

*The impeller and diffuser **must** be fully seated to obtain an accurate face clearance measurement.*

Diffuser Installation

(Figure C-1)

Inspect and thoroughly clean the diffuser (54). It must be clean and free of any flaws which could cut the O-ring or prevent a good seal. Lightly oil the O-ring (9) and install it over the groove of the diffuser.

Carefully position the diffuser against seal plate. Secure the diffuser with the hardware (55 and 56).

After installing the diffuser, check the impeller for free rotation.

Suction Head Installation

(Figure C-1)

Lightly oil the O-ring (57) and install it in the groove of the suction head.

See Figure C-4 and install the suction head adjusting nuts (3) on the threaded rods (2). Position the suction head over the threaded rods and press it into the diffuser until fully seated against the adjusting nuts.

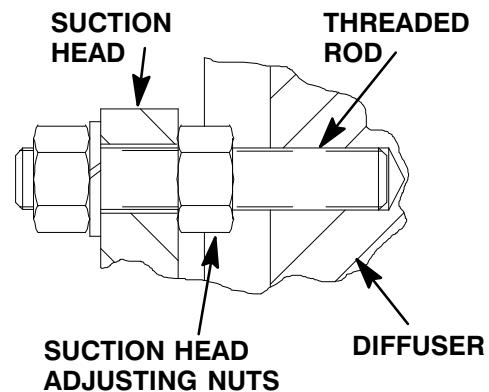


Figure C-4. Suction Head Adjustment Detail

For maximum pump efficiency, there should be a clearance of .008 to .015 inch (0,25 to 0,38 mm) between the suction head and the face of the impeller. Use a feeler gauge to measure this clearance. If the clearance is not within the specific limits, adjust the hardware (3 and 4) on the threaded rod (2) as needed.

Secure the suction head with the hardware (3 and 4).

Strainer Installation

(Figure C-1)

Inspect the strainer assembly (58) for cracks, distortion or erosion, and replace it if defective.

Install the hardware (64 and 65) in the strainer assembly (58). Fill the support pipes (66) with some grease and slide them over the capscrews. Carefully position the strainer on the suction head (1) and secure with the hardware (64 and 65). Make

certain that the strainer seats properly against the shoulder of the diffuser.

See **LUBRICATION** and **FINAL ASSEMBLY** before putting the pump back into service.

MOTOR DISASSEMBLY

Disassembly of the motor is rarely required except to replace the motor rotor, stator or bearings. Do not disassemble the motor unless it is necessary and a clean, well-equipped shop is available.

NOTE

It is recommended that a pump with a defective motor be returned to Gorman-Rupp, or to one of the Gorman-Rupp authorized Submersible Repair Centers.



The electrical power used to operate this pump is high enough to cause injury or death. Make certain that the control handle on the control box is in the off position and locked out, or that the power supply to the control box has been otherwise cut off and locked out, before attempting to open or service the pump assembly. Tag electrical circuits to prevent accidental start-up.

Carefully inspect any O-rings or gaskets before removal and cleaning to determine if a proper seal and compression existed prior to disassembly. If sealing was faulty or questionable, the cause must be determined and corrected before reassembly. Replace any parts as required.

Terminal Housing Removal

(Figure C-1)

Total disassembly of the terminal housing and power cable (42) is not always required. Disassemble and replace **only** the parts proven defective by inspection or testing. See **Electrical Testing** in **TROUBLESHOOTING**.

The terminal housing and power cable assembly (42) may be serviced without disassembling the motor housing or pump end.

Secure the pump in an upright position. Remove the deformed locknuts (41) securing the terminal housing assembly to the upper motor housing assembly (27).

Terminal Housing And Power Cable Disassembly

(Figure C-2)

Carefully raise the terminal housing (8) from the motor housing until the terminals (15 and 17) are accessible. Loosen the allen head setscrews (16 and 18), and disconnect the motor leads from the terminal posts. Separate the terminal housing and power cable assembly (2) from the motor housing. Remove the lower terminal plate gasket (21).

No further disassembly is required to test the stator or power cable.

To disconnect the power cable (2) from the terminal housing, pull the terminal plate (22) away from the terminal housing. Remove the hardware (29 and 30) securing the green and yellow ground lead terminals (9 and 28). Reinstall the hardware. When shipped from the factory, the connections between the power cable leads and the terminal collars (12 and 24) were encapsulated in heat-shrink tubing (10 and 27) and bonded to the terminal plate with silicone adhesive.

NOTE

Do not remove the heat shrink tubing from the power cable leads unless the terminals require replacement. If replacement is required, the connections between the leads and terminals **must be sealed with heat shrink tubing before applying the silicone adhesive (see **Terminal Housing And Power Cable Reassembly**).**

If terminal replacement is required, carefully cut away the tubing and adhesive, and loosen the allen head setscrews (11 and 25). Disconnect the power cable leads from the terminal collars, and separate the terminal plate (22) from the terminal housing (8). Remove and discard the upper terminal plate gasket (23).

If it is necessary to replace the terminal plate (22) or terminal components, unscrew the terminal collars (12 and 24), and remove the terminal posts and dyna seal washers (13, 14, 19 and 20) from the terminal plate.

To disconnect the power cable, remove the nuts (5) securing the terminal gland (1) to the terminal housing (8). Slide the gland back along the power cable.

Compress the wire mesh of the cable grip (3) and move it back along the power cable. Oil the gland bushing (6) and terminal housing bore and pull firmly on the cable. (Allow the oil to leak in around the bushing by agitating the cable in the bore.) After the bushing has been loosened, the cable should pull out far enough to expose the gland bushing. Apply oil on the cable jacket and slide the bushing and washer (7) back along the cable. Pressure exerted on the bushing may deform the cable jacket. If such is the case, additional oil and effort will be required to remove the bushing.

NOTE

If the rubber bushing cannot be removed from the terminal housing as indicated, it may be necessary to cut the bushing into small pieces or cut the cable.

See **Terminal Housing/Power Cable Reassembly** if no further disassembly is required.

Pump Casing And Motor Housing Disassembly

(Figure C-1)

See **PUMP END DISASSEMBLY**, and remove all pump end and seal components.

With the pump end disassembled, secure the pump in an inverted position. Remove the socket head capscrews (52) securing the intermediate (10) to the lower motor housing (14). Remove the O-rings (15, 50 and 51). Slide the pump casing (23) off the motor housing. Remove the pump casing O-ring (29).

Rotor Removal

(Figure C-1)

Remove the deformed locknuts (49). If necessary, tap the impeller end of the rotor shaft with a block of wood or soft-faced mallet to loosen the seal between the upper ball bearing (28) and the motor housing bore. Carefully pull the rotor (46), lower motor housing (14) and assembled bearings (19 and 28) from the stator (45) and upper motor housing (27). If necessary, pry the housings apart using two screwdrivers. Use caution when removing the rotor to prevent damaging the stator windings.

Remove the outer retaining ring (21) and slide the lower motor housing off the lower bearing (19). Remove the motor housing O-ring (16).

NOTE

If necessary, tap around the edge of the lower motor housing with a soft-faced mallet or block of wood to separate the motor housing from the bearing.

If no further disassembly is required, cover the middle and upper motor housings with a clean, lint-free cloth to avoid contamination of the stator by dirt or other foreign materials.

Bearing Removal

(Figure 1)



To prevent damage during removal from the shaft, it is recommended that bearings be cleaned and inspected **in place**. It is **strongly** recommended that the bearings be replaced **any** time the shaft and rotor assembly is removed.

Before removing the bearings from the rotor shaft, clean and inspect the bearings **in place** as follows.

Clean the bearings thoroughly in **fresh** cleaning solvent. Dry the bearings with filtered compressed air and coat with light oil.



Most cleaning solvents are toxic and

flammable. Use them only in a well ventilated area; free from excessive heat, sparks, and flame. Read and follow all precautions printed on solvent containers.

Rotate the bearings by hand to check for roughness or binding and inspect the bearing balls. If rotation is rough or the bearing balls discolored, replace the bearings.

The bearing tolerances provide a tight press fit onto the shaft and a snug slip fit into the motor housing and bearing bore. Replace the shaft and rotor (as an assembly), the motor housing or intermediate if the proper bearing fit is not achieved.

If replacement is required, use a bearing puller to remove the upper and lower ball bearings from the rotor shaft. It is not necessary to remove the inner retaining ring (20) unless replacement is required. Use snap ring pliers to remove the ring.

Stator Removal

(Figure C-1)

Do not remove the stator (45) unless it is defective (open windings, insulation resistance low, or stator core damaged). If the stator must be removed, remove the terminal housing as indicated in **Terminal Housing And Power Cable Disassembly**.

Remove the pipe plugs (17 and 25) located in the motor housings, and loosen the allen head set-screws (18 and 26) located underneath the pipe plugs.

Position an expandable tool, such as a split disc, approximately 2 inches (51 mm) inside the stator, and expand it tightly and squarely on the I.D. Attach a lifting device to the lifting eye of the tool, and raise the assembly approximately 1 inch (25 mm) off the work surface.

The motor housings (22 and 27) must be heated with a torch to expand them enough for the stator to be removed. Apply heat evenly to the outside of the motor housing; excessive heat is not required. When the motor housing is sufficiently heated, use a soft-faced mallet to rap alternate edges of the motor housing, and "walk" the stator out. Continue

this process until the stator clears the motor housing.



Take care not to damage the stator end turns during removal from the motor housing.

After the stator has been removed, wrap it in clean, dry rags or other suitable material until reassembly. The stator **must** be kept clean and dry. When handling the stator, **do not** set it on the end windings; lay it on its side.



Do not attempt to rewind the stator. Winding tolerances and materials are closely controlled by the manufacturer, and any deviation can cause damage or operating problems. Replace the stator, or return it to one of The Gorman-Rupp Authorized Submersible Repair Centers or The Gorman-Rupp factory, if defective.

It is not necessary to separate the motor housings (22 and 27) unless the O-ring (24) or one of the motor housings require replacement. If required, remove the locknut (44) and separate the housings to remove the O-ring (24).

Hoisting Bail

(Figure C-1)

If the hoisting bail (34) requires replacement, remove the hardware (30, 31, 32 and 33) securing the bail to the motor housing. Make sure the bushings (30) are in place when installing the hoisting bail.

MOTOR REASSEMBLY



Do not attempt to rewind the stator. Winding tolerances and materials are closely controlled by the manufacturer, and any

deviation can cause damage or operating problems. Replace the stator, or return it to one of The Gorman-Rupp Authorized Submersible Repair Centers or The Gorman-Rupp factory, if defective.

NOTE

Reuse of old O-rings, gaskets, shaft seal parts will result in premature leakage or reduce pump performance. It is strongly recommended that new gaskets and shaft seal assemblies be used during reassembly (see the parts lists for numbers).

Stator Installation

(Figure C-1)

NOTE

Stator installation involves heating the motor housing. This process must be done quickly. Therefore it is recommended that these steps be performed by two people to promote efficient installation of the stator.

Clean all gasket and O-ring surfaces, completely removing any old gasket and cement material. Inspect the sealing surfaces for burrs, nicks and pits which could cause a poor seal, and replace defective parts as required.

Thoroughly clean the inside of the motor housings (22 and 27) with fresh solvent. The interior **must** be dry and free of dirt or lint. Install a new O-ring (24) and secure the motor housings together with the locknut (44). Coat the threads of the studs (43) with 'Never-Seez' or equivalent compound, and torque evenly in a cross sequence to 20 ft. lbs. (240 in. lbs. or 3 m. kg.).



Most cleaning solvents are toxic and flammable. Use them only in a well ventilated area; free from excessive heat, sparks, and flame. Read and follow all precautions printed on solvent containers.

After the motor housings are thoroughly cleaned, position them on a flat surface with the discharge

end down. Do not unwrap the stator (45) until the motor housings have been prepared for stator installation. The stator **must** be kept clean and dry. When handling the stator, do not set it on the end windings; lay it on its side and block it from rolling.

Test the new stator as indicated in **Electrical Testing** in **TROUBLESHOOTING**, Section B, to ensure that no damage has occurred during transit or handling.

NOTE

Remove any drops of varnish from the ends of the stator before installation to ensure proper stack-up height when assembled.

Position an expandable tool, such as a split disc, approximately 2 inches (51 mm) down inside the stator (opposite the lead wire end), and expand it tightly and squarely on the I.D. Attach a lifting device to the lifting eye of the tool, and carefully lift the assembly. Take care not to damage the stator end turns. Slip a sleeve over the stator leads, or tape them together to protect them during installation.

NOTE

Stator installation involves heating the motor housing. This process must be done quickly to allow the stator to slide into the motor housing before the housing cools.

Heat the motor housings (22 and 27) with a torch to expand them enough for the stator (45) to be installed. When heating the motor housing, **make sure** that the stator is clear to avoid a fire hazard, or damage to the windings. Apply heat evenly to the outside of the housings; excessive heat is not required.

When the motor housings are sufficiently heated, position the stator so that the leads are in line with the terminal opening. Carefully lower the stator into the motor housing until fully seated against the housing shoulder. Be careful not to damage the stator lead insulation during reassembly. If the stator "cocks" in the motor housing, remove it and try again.

After the stator is fully and squarely seated on the motor housing shoulder, remove the expandable disc tool. Install the allen head setscrews (18 and 26) securing the stator in place; torque the set-

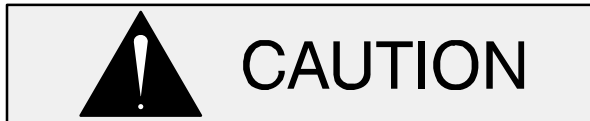
screws to 7.5 ft. lbs. (90 in. lbs. or 1 m. kg.). Coat the threads of the pipe plugs (17 and 25) with 'Loctite Pipe Sealant with Teflon No. 592' or equivalent, and install the plugs over the allen head setscrews. Untape or remove the protective sleeve from the stator leads.

Cover the motor housing with a clean, lint-free cloth while the rotor is being assembled.

Bearing Installation

(Figure C-1)

Inspect the rotor shaft (46) for damaged threads, scoring in the seal area, and a nicked or damaged keyway. If the bearings were removed, inspect the bearing areas for scoring or galling. Remove nicks and burrs with a fine file or emery cloth. Inspect the rotor area for separated laminations. If the shaft is bent or damaged, or if the laminations are separated, replace the shaft and rotor (a single assembly).



To prevent damage during removal from the shaft, it is recommended that bearings be cleaned and inspected **in place**. It is **strongly** recommended that the bearings be replaced **any** time the shaft and rotor assembly is removed.

The bearings may be heated to ease installation. An induction heater, hot oil bath, electric oven, or hot plate may be used to heat the bearings. Bearings should **never** be heated with a direct flame or directly on a hot plate.

NOTE

*If a hot oil bath is used to heat the bearings, both the oil and the container must be **absolutely** clean. If the oil has been previously used, it must be **thoroughly** filtered.*

Heat the bearings (19 and 28) to a uniform temperature **no higher than 250°F (120°C)**. When installing bearings, slide them onto the shaft until fully seated. This should be done quickly, in one continuous motion, to prevent bearings from cooling and sticking on the shaft.



Use caution when handling hot bearings to prevent burns.

Slide the upper bearing (28) onto the shaft until fully seated.

If removed, install the lower bearing retaining ring (20) on the rotor shaft. With the beveled end toward the rotor, slide the beveled retaining ring (21) over the shaft.



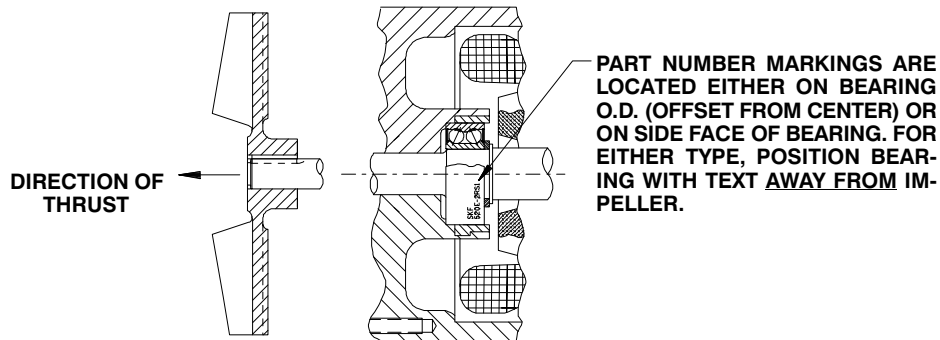
The beveled edge of the retaining ring **must** be positioned toward the rotor. Otherwise, damage to the bearing and/or motor will result.

With the impeller end of the shaft up, position the lower bearing (19) on the shaft as indicated in the instructions accompanying the bearing or as shown in Figure C-5. Slide the bearing onto the shaft until it seats squarely against the snap ring.



The bearing **must** be installed as indicated in the instructions accompanying the bearing or as shown in Figure C-5. Improper installation can cause premature bearing failure and/or damage to the pump or motor.

INSTALLATION OF SKF 5200 AND 5300 SERIES BEARINGS

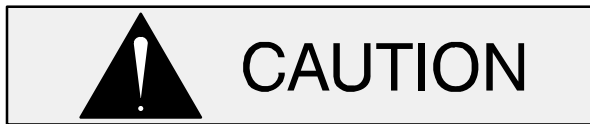


NOTE:
THIS BEARING IS MANUFACTURED WITH TWO SEALS OR SHIELDS. WHEN INSTALLED ON THE SHAFT, THE MANUFACTURER'S PART NUMBER DESCRIPTION (LOCATED ON SIDE FACE OF BEARING OR BEARING O.D.) MUST BE LOCATED WITH THE TEXT AWAY FROM THE IMPELLER.

Figure C-5. Bearing Installation

After the bearings have been installed and allowed to cool, check to ensure that they have not moved out of position in shrinking. If movement has occurred, use a suitable sized sleeve and a press to reposition the bearings. Make certain that they are seated squarely against the shaft shoulders.

If heating the bearings is not practical, use a suitable sized sleeve and an arbor (or hydraulic) press to install the bearings on the shaft.



When installing the bearings onto the shaft, **never** press or hit against the outer race, balls, or ball cage. Press **only** on the inner race.

If removed at disassembly, apply 'Loctite Pipe Sealant with Teflon No. 592' or equivalent compound of the threads of the pipe plug (47) and install the plug securely in the lower motor housing.

Install the motor housing O-ring (16) on the motor housing, and slide the housing over the lower bearing until the bearing seats squarely in the housing bore. Secure the retaining ring (21) in the lower motor housing.

Rotor Installation

(Figure C-1)

Use **fresh** solvent to clean all gasket and O-ring surfaces of the motor housings (22 and 27), completely removing any old gasket and cement mate-

rial. Inspect the sealing surfaces for burrs, nicks and pits which could cause a poor seal. Repair or replace as require.



Most cleaning solvents are toxic and flammable. Use them only in a well ventilated area free from excessive heat, sparks, and flame. Read and follow all precautions printed on solvent containers.

Carefully ease the lower motor housing (14), rotor (46) and assembled bearings (19 and 28) into the motor housing (27) and through the stator so that the upper bearing (28) seats squarely in the motor housing bearing bore. Make sure the pipe plug (47) aligns with the terminal housing bore.

Tap the lower motor housing with a soft-faced mallet until fully seated in the upper motor housing. **Be careful** not to cut the O-ring (16) on the lower motor housing shoulder.

Apply 'Never-Seez' or equivalent compound to the threads of the studs (48). Install the locknuts (49), torquing evenly in a cross-sequence to 20 ft. lbs. (240 in. lbs. or 3 m. kg.).

Pump Casing Reassembly

(Figure C-1)

Use **fresh** solvent to clean all O-ring surfaces of the lower motor housing (14), completely removing any old cement material. Inspect the sealing sur-

faces for burrs, nicks and pits which could cause a poor seal, and repair or replace as required.



Most cleaning solvents are toxic and flammable. Use them only in a well ventilated area; free from excessive heat, sparks, and flame. Read and follow all precautions printed on solvent containers.

Apply a light coating of oil to the O-ring (29) and install it on the upper motor housing. Slide the pump casing (23) over the assembled motor until it seats against the O-ring and upper motor housing shoulder.

Install the O-rings (15, 50 and 51). Lower the intermediate over the shaft. **Be careful** not to cut the O-rings. Secure the intermediate (10) to the motor housing (14). Apply 'Never-Seez' or equivalent compound on the threads of the socket head cap-crew (52), torquing evenly in a cross sequence to 22 ft. lbs. (260 in. lbs. or 3 m. kg.).

Refer to **PUMP END REASSEMBLY**, and reassemble the pump end components.

Terminal Housing And Power Cable Reassembly

(Figure C-2)



The electrical power used to operate this pump is high enough to cause injury or death. Make certain that the control handle on the control box is in the OFF position and locked out, or that the power supply to the control box has been otherwise cut off and locked out, before attempting to open or service the pump assembly. Tag electrical circuits to prevent accidental startup. Obtain the services of a qualified electrician to make electrical connections.

Clean the exterior of the power cable with warm water and mild detergent. Check for obvious physical damage. Check the cable for continuity and insulation resistance (see **Electrical Testing in TROUBLESHOOTING**). **Do not** attempt repairs except to cut off either end of the cable; **splicing is not recommended**. Reinstall any wire tags or terminals which may have been removed.



Never attempt to alter the length or repair any power cable with a splice. The pump motor and cable must be completely waterproof. Injury or death may result from alterations.

Use oil to lightly lubricate the upper bore of the terminal housing, outside of the pump power cable (2), and the bores of terminal gland (1), cable grip (3), gland bushing (6) and terminal washer (7) for ease of assembly. Slide the terminal gland, cable grip, gland bushing, terminal washer and terminal housing onto the power cable (2), allowing approximately 3 ft. (1 m) of cable to extend beyond the terminal housing. Temporarily tape the green and yellow ground wires to the cable.

Sealing Terminal Housing Connections With Silicone Adhesive

(Figure C-2)



Do not attempt to operate this pump unless the power cable leads are properly sealed in the terminal housing. Moisture entering the terminal housing could cause a short circuit, resulting in pump damage and possible serious injury or death to personnel.

When shipped from the factory, the cable leads and terminal collars (12 and 24) were encapsulated in heat-shrink tubing (10 and 27), and bonded to the terminal plate (22) with silicone adhesive to provide a water-tight seal. If this insulating material has been damaged or removed during maintenance, **it must** be replaced using mate-

rials and equipment approved by Gorman-Rupp (see the Parts List Manual for repair kits).

NOTE

Heat-shrink tubing **must** be used to seal the power and control cable leads to the terminals before bonding the leads to the terminal plate. If silicone adhesive is not available in the field, a commercially available potting kit may be used to bond the connections to the terminal plate. If this alternate sealing method is used, refer to the instructions in **Sealing Terminal Plate Connections With Potting Compound**. Use **only** materials and heating equipment approved by Gorman-Rupp for field repairs.

Before resealing the power and control cables, remove all the old adhesive material from the leads, terminal collars, and terminal plate. Inspect all parts for damage, and replace as required. If the rubber bonding material on the terminal plate (22) is severely worn or cracked, the terminal plate must be replaced. If the bonding material has been noticeably compressed, it should be supplemented with two gaskets contained in the overhaul gasket kit (see Options listed in the Parts List manual).

NOTE

Clean the cable leads and terminal plate in the areas to be sealed with cleaning solvent. Incomplete sealing will occur if the surfaces are dirt, oil or

grease coated.

Slide the terminal housing (8) up the power cable (2) and temporarily secure it.

Assemble the terminal posts (15 and 17), dyna seal washers (13, 14, 19 and 20), and the upper terminal collars (12 and 24) to the terminal plate as shown in Figure C-2. Install the upper terminal plate gasket (23).

NOTE

Both the power cable and motor conductor leads should be tinned prior to reassembly.

If the terminal ends (9 and 28) were removed for replacement, crimp a new terminal onto the appropriate power cable lead (see Figure C-5).

NOTE

Trim the brown leads off at both ends of the cable if the optional moisture sensor is not used.

Slide a length of heat-shrink tubing (10 and 27) up over each of the power cable leads. Install the leads on the terminal posts as shown in Figure C-6 and secure them using the setscrews (11 and 25). Slide the tubing down each lead until the terminals (12 and 24) are covered and the tubing contacts the terminal plate. The tubing **must** extend up the leads far enough to ensure a good seal.

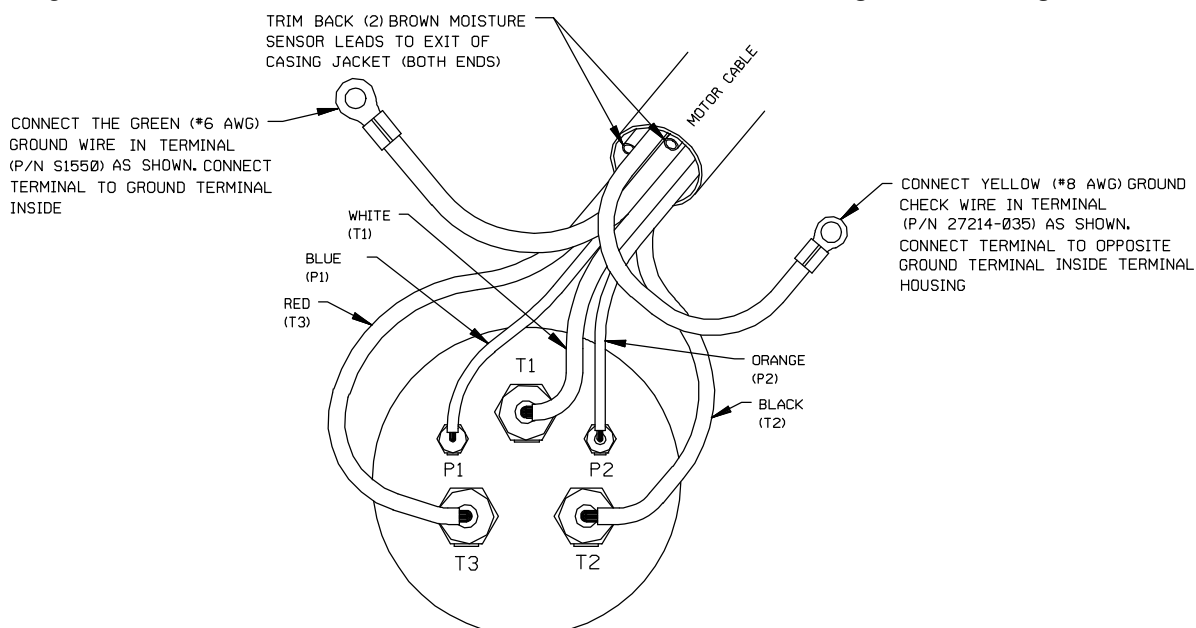
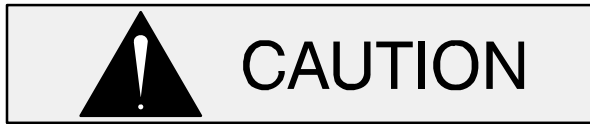


Figure C-6. Terminal Housing Wiring Connections

Carefully heat each tube with a commercially available hot air gun capable of producing 750°F (399°C), and shrink the tubes around the cable leads and terminal collars.



Use **only** Dow-Corning 737 Silicone Adhesive (see the Parts List Manual for the part number) or potting compound for sealing terminal housing connections. Use of unapproved sealing products will void the pump warranty.

NOTE

Do not use a mold or reservoir with the silicone adhesive.

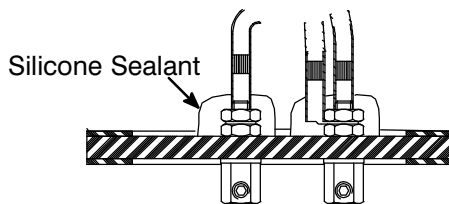


Figure C-7. Silicone Adhesive Sealing

See Figure C-6 and check terminal locations. Apply a 1/4 to 3/8 in. (6,4 to 9,7 mm) thick layer (maximum) of silicone adhesive around each of the terminal posts as shown in Figure C-7. Remove any adhesive from gasketed surfaces.



All air pockets, voids or gaps in the silicone sealant must be removed to ensure a water-tight seal in the terminal housing. Otherwise, moisture entering the terminal housing could cause a short circuit, resulting in pump damage and possible serious injury or death to personnel.

Allow the adhesive to cure for at least one hour before securing the terminal housing to the motor housing.

Terminal Housing Installation

(Figure C-2)

After the terminal plate has been sealed, slide the terminal housing down the cable. Untape the ground leads and secure them to the ground terminals with the hardware (29 and 30). **Be sure** the leads make good contact with the housing.

Pull gently on the cable to remove any excess length from within the terminal housing. The terminal plate should fit loosely against the terminal housing.

Lubricate the upper bore of the terminal housing, and slide the gland washer (7), bushing (6) and cable grip (3) into place. Slide the terminal gland (1) into place and install the nuts (5). Do not fully tighten the nuts at this time.

Position the lower terminal plate gasket (21) on the terminal plate (22).

NOTE

A small amount of gasket adhesive may be used to hold the upper and lower terminal plate gaskets in place to ease assembly.

Attach the appropriate motor lead (T1, T2, T3) to each terminal post (15 and 17) using the allen head setscrews (16 and 18).

Position the terminal housing and terminal plate against the upper motor housing. If required, rotate the terminal housing and twist the motor leads to remove excess slack.

Secure the terminal housing assembly to the motor housing with the hardware (40 and 41, Figure C-1); torque the nuts evenly in a cross sequence to 20 ft. lbs. (240 in. lbs. or 3 m. kg.).

Tighten the nuts (5) drawing the terminal gland (1) down into the terminal bore. **Do not** overtighten and damage the terminal gland or hardware.

NOTE

A .09 in. to .15 in. (2,29 to 3,81 mm) gap is required between the terminal gland cap flange and the terminal housing when tighten the nuts.

See **FINAL ASSEMBLY** and **VACUUM TESTING** followed by **LUBRICATION**.

FINAL ASSEMBLY

(Figure C-1)

If the discharge flange (37) was removed from the motor housing, replace the discharge flange gasket (38). Apply 'Anti-Seize' or equivalent compound on the flange studs (35), and secure the flange with the nuts (36).

If the hoisting bail (34) was removed, install the bail bushings (30) and secure the bail to the motor housing with the hardware (31, 32 and 33).

Connect the discharge hose, and reposition the pump. If rigid piping or long hose is used, reposition the pump, then connect the piping.

VACUUM TESTING

To ensure the water-tight integrity of the pump, it is recommended that the motor and seal cavities be vacuum tested any time the seal(s) and/or motor are serviced.

Drain **all** of the oil from **both** the seal and motor cavities before performing the test. Oil within the cavities will be drawn into the system, resulting in damage to the vacuum pump or manometer.

Use a manometer with a range of 30 to 0 to 30 inches of mercury to perform the test. **Do not** use a vacuum gauge. Vacuum gauges are not sensitive enough to detect minor leaks.

It is recommended that a vacuum pump be used to draw the vacuum on the cavities. If a vacuum pump is not available, a compressor/venturi system may be used. If the compressor/venturi cannot draw the higher vacuum level shown in Table C-1, draw the motor cavity vacuum down as far as the system will allow, then draw the seal cavity down so the differential between the two cavities is the same as the differential between the vacuum readings shown in the table.

Install full-closing ball-type shutoff valves with quick-disconnect fittings in the pipe plug holes in both the motor and seal cavities. Test the motor cavity for its full duration first, then use the shutoff valve to maintain the motor cavity vacuum while testing the seal cavity. The motor cavity vacuum **must** be higher than the vacuum in the seal cavity to prevent separation of the seal faces or unseating the stationary seal seat between the seal and motor cavities.

Figure C-8 shows a simple schematic for setting up either a vacuum pump or a venturi/compressor test system.

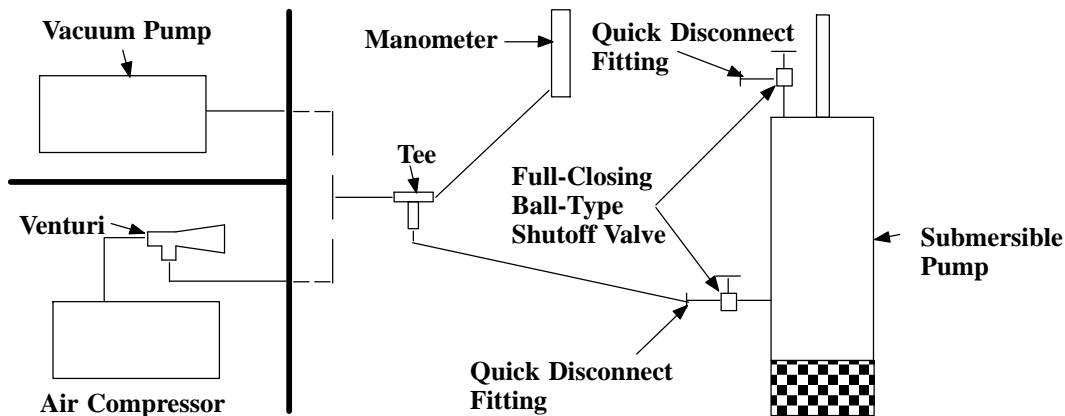


Figure C-8. Vacuum Test System

Table C-1 shows the vacuum to be drawn on each cavity, and the duration to maintain each vacuum reading. **Any** change in vacuum reading during

the test indicates a leak which **must** be identified and corrected before putting the pump back into service.

Table C-1. Vacuum Test Data

Pump Model	Motor Cavity Vacuum (In. Hg.)	Duration (Minutes)	Seal Cavity Vacuum (In. Hg.)	Duration (Minutes)
S4E	30	2	20	1

LUBRICATION

Seal Cavity

Check the oil level in the seal cavity before initial startup, after the first two weeks of operation, and every month thereafter.



Check the oil level only when the pump is cool. If the oil level plug is removed when the pump is hot, pressure in the seal cavity can cause hot oil to be ejected as the plug is removed.

To check the seal cavity oil, lay the pump on its side and remove the seal cavity plug (11) in the intermediate. Tip the pump and drain off a small amount of oil into a transparent cup. If the oil level is abnormally low, or the color milky or dark, refer to **Draining Oil From Seal Cavity** in this section for instructions and troubleshooting tips. If the oil is clear, apply 'Loctite Pipe Sealant With Teflon No. 592.' or

equivalent to the threads of the pipe plug, before reinstalling the plug.

To fill the seal cavity, remove the pipe plug (11) and add the recommended grade of submersible pump oil. Apply 'Loctite Pipe Sealant With Teflon No. 592.' or equivalent to the threads of the pipe plug, before reinstalling the plug.

See Table C-2 for quantity of lubricant when lubricating a dry (overhauled) pump. See Table C-3 for lubricant specifications.

The grade of lubricant used is critical to the operation of this pump. Use premium quality submersible pump oil as specified in the following table. Oil must be stored in a clean, tightly closed container in a reasonably dry environment.

Table C-2. Oil Quantity

Pump Model	Seal Cavity
S4E (All Materials and Voltages)	32 ounces (1 liter)

Table C-3. Pump Oil Specifications

Specifications:	
Type	Premium high viscosity index, anti-wear hydraulic oil
Viscosity @ 100°F (38°C)	110 to 155
Viscosity @ 210°F (99°C)	40 to 50
Dielectric	26,000 (volts-min)
Recommended supplier:	
Gulf Oil Company	Gulf Harmony HVI AW 26
Acceptable alternate suppliers:	
Gulf Oil Company	Gulf Harmony 32 AW
Texas Oil Company	Rando HD 32 or HD AZ 32
Sun Oil Company	Sunvis 816 or 916
BP (Also Boron)	Energol-HLP 32
Shell Oil Company	Tellus 32, Tellus T-23 or T32
ARCO	Duro 32
Exxon (Also Esso)	Nuto H 32
Petro-Canada	Harmony HVI 22

Motor Housing Cavity

The motor is cooled by the constant flow of the liquid being discharged thru internal passages surrounding the motor housing, not with oil. The rotor shaft bearings are permanently lubricated, and require no additional lubrication.

**For U.S. and International Warranty Information,
Please Visit www.grpumps.com/warranty
or call:
U.S.: 419-755-1280
International: +1 419-755-1011**

**For Canadian Warranty Information,
Please Visit www.grcanada.com/warranty
or call:
519-631-2870**