

AC

Use With: OM--04151  
MR--04152

PUBLICATION NUMBER PL--04167--03  
February 4, 1998



**PUMP MODEL  
S4C65-E10 460/3**

**MANUAL  
PART 2 of 3**

**PARTS  
LIST  
WITH  
PERFORMANCE CURVE**

**THE GORMAN-RUPP COMPANY • MANSFIELD, OHIO**

GORMAN-RUPP OF CANADA LIMITED • ST. THOMAS, ONTARIO, CANADA Printed in U.S.A.

©Copyright by the Gorman-Rupp Company

## PERFORMANCE CURVE – SECTION A

### RECORDING MODEL AND SERIAL NUMBERS

Please record the pump model and serial number in the spaces provided below and in the separate Installation/Operation Manual accompanying your pump. Your Gorman-Rupp distributor needs this information when you require parts or service.

Pump Model: \_\_\_\_\_

Serial Number: \_\_\_\_\_

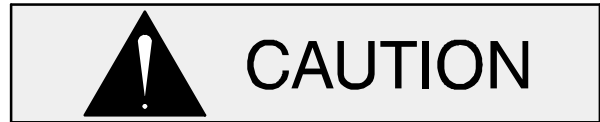
### WARRANTY INFORMATION

The pump warranty is provided as part of Gorman-Rupp's support program for customers who operate and maintain their equipment as described in this manual and other accompanying literature. Please note that should the equipment be abused or modified to change its performance beyond the original factory specifications, the warranty will become void and any claim will be denied.

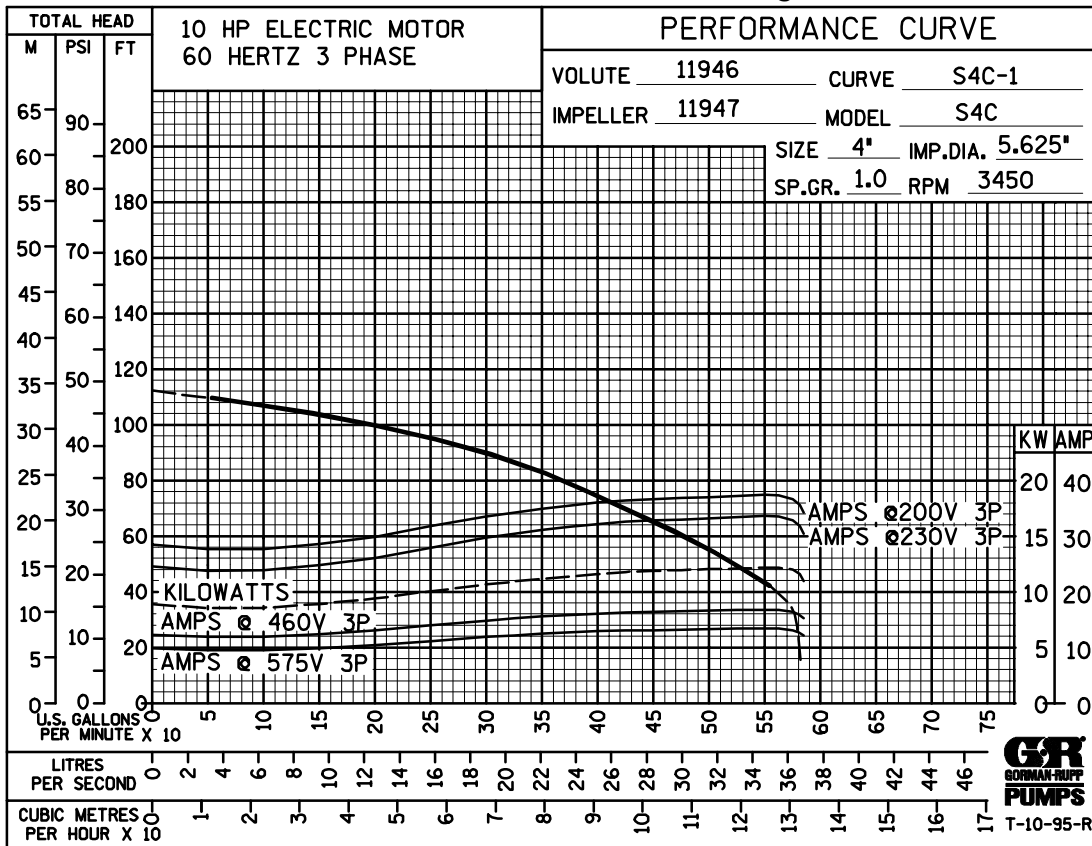
### PERFORMANCE CURVES

The performance curve below is based on 70° F (21° C) clear water at sea level. Since pump installations are seldom identical, your performance may be different due to such factors as viscosity, specific gravity, elevation, temperature, and impeller trim.

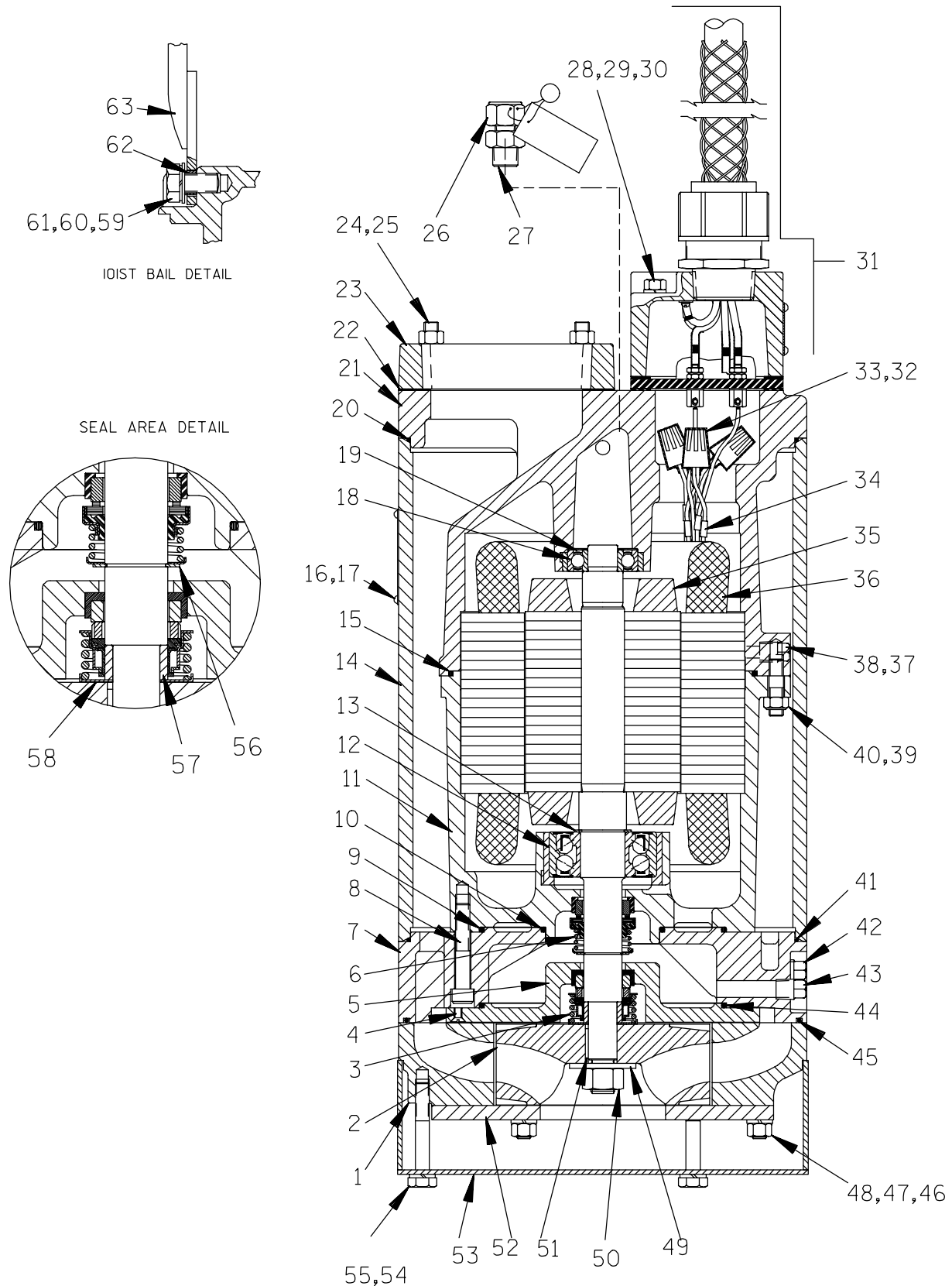
If your pump serial number is followed by an "N", your pump is **NOT** a standard production model. Contact the Gorman-Rupp Company to verify performance or part numbers.



Pump speed and operating condition points must be within the continuous performance range shown on the curve(s).



Performance Curve – Model S4C65 – E10 460/3



**THE GORMAN-RUPP COMPANY • MANSFIELD, OHIO**

GORMAN-RUPP OF CANADA LIMITED • ST. THOMAS, ONTARIO, CANADA Printed in U.S.A.

©Copyright by the Gorman-Rupp Company

S/N 1142085 Up  
PUMP ISSUE 3

If your pump serial number is followed by an "N", your pump is **NOT** a standard production model. Contact the Gorman-Rupp Company to verify part numbers.

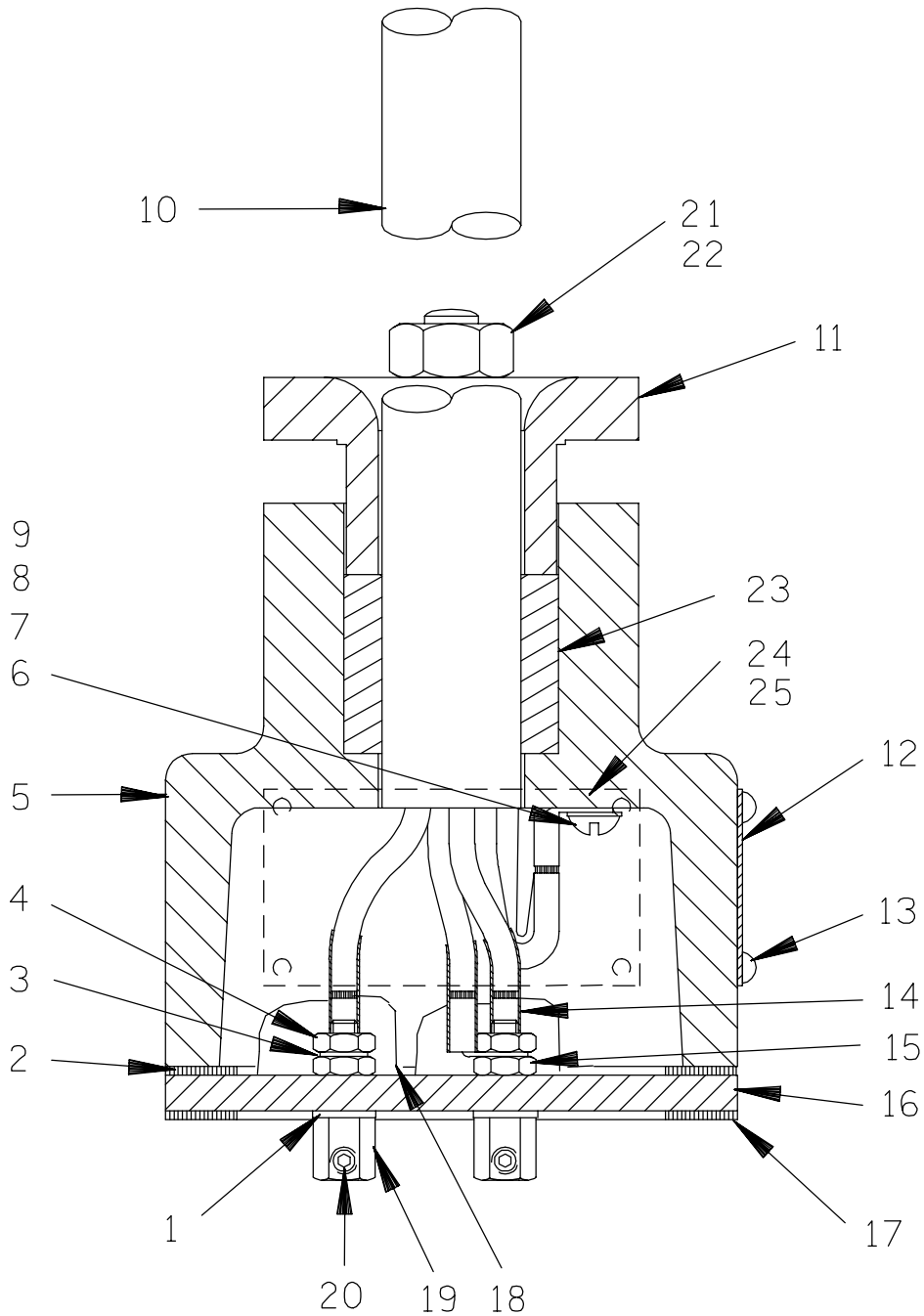
ITEM NO.	PART NAME	PART NUMBER	MAT'L CODE	QTY	ITEM NO.	PART NAME	PART NUMBER	MAT'L CODE	QTY
1	DIFFUSER	11946	1718H	1	41 *	INTERMEDIATE O-RING	25154-274	---	1
2 *	IMPELLER	11947	1718H	1	42	MTR CAVITY DRAIN PLUG	P04	17090	1
3 *	LOWER SEAL ASSY	46512-070	---	1	43	SEAL CVTY DRAIN PLUG	P04	17090	1
4	FH MACH SCREW	Y#10-03	17090	3	44 *	SEAL PLATE O-RING	25152-259	---	1
5	SEAL PLATE	13882	1718H	1	45 *	DIFFUSER O-RING	25154-274	---	1
6	UPPER SEAL ASSY	S1832	---	1	46	STUD	C0616	17090	3
7	INTERMEDIATE	38261-025	17070	1	47	HEX NUT	D06	17090	3
8	SOC HD SETSCREW	DM0609	17090	3	48	LOCKWASHER	J06	17090	3
9 *	INTERMEDIATE O-RING	25152-259	---	1	49	FLAT WASHER	KB10	17090	1
10 *	INTERMEDIATE O-RING	25152-234	---	1	50	HEX NUT	D10S	17090	1
11	MOTOR HOUSING	38311-060	17070	1	51 *	IMPELLER KEY	N0303-1/2	17090	1
12	LOWER BALL BEARING	23431-303	---	1	52 *	WEAR PLATE	11948	1718H	1
13	BEARING SNAP RING	S1831	---	1	53 *	STRAINER	11969	17050	1
14	PUMP CASING	38311-806	17040	1	54	HEX HD CAPSCREW	B0610	17090	3
15 *	MTR HOUSING O-RING	25152-265	---	1	55	LOCKWASHER	J06	17090	3
16	NAME PLATE	38818-039	17090	1	56 *	RETAINING RING	24124-332	---	1
17	DRIVE SCREW	BM#04-03	17090	4	57	SHAFT SLEEVE	13878	17090	1
18 *	UPPER BALL BEARING	S1044	---	1	58 *	ADJ SHIM SET	2Y	17090	1
19	BRG SPRING WASHER	S1554	---	1	59	FLAT WASHER	KE08	17090	2
20 *	PUMP CASING O-RING	25154-274	---	1	60	LOCKWASHER	J08	17090	2
21 *	UPPER MTR HOUSING	38311-032	17070	1	61	HEX HD CAPSCREW	B0804	17090	2
22 *	DISCH FLANGE GSKT	11957G	19370	1	62	BUSHING	9562	17120	2
23	DISCHARGE FLANGE	11957	17070	1	63	HOIST BAIL	11959	24170	1
24	STUD	C0609	17090	4	NOT SHOWN:				
25	HEX NUT	D06	17090	4		CABLE TIE	27111-212	---	1
26 *	RELIEF VALVE ASSY	46431-646	---	1		CONTROL BOX	27515-503	---	1
27 *	RED PIPE BUSHING	AP0604	17090	1		MOTOR PLATE	10436	17050	1
28	STUD	C0513	17090	4		DRIVE SCREW	BM#04-03	17090	4
29	LOCKWASHER	NOT REQUIRED				SUB PUMP OIL	9568	---	1
30	HEX NUT	D05	17090	4		MTR VOLTAGE TAG	6588AA	---	1
31	TERM HSG & CAB ASSY	47367-056	---	1		HEATER PACK	27521-205	---	1
32	CONNECTOR	S1718	---	3		INSTRUCTION TAG	6588AC	---	1
33 *	HEAT SHRINK TUBE	31411-235	19450	3	OPTIONAL:				
34	WIRE MARKER KIT	S2274	---	1		REPAIR GASKET KIT	11000AB	---	1
35 *	ROTOR & SHAFT ASSY	47112-817	---	1		STAGING ADAPTOR KIT	48272-011	---	1
36	STATOR	47113-844	---	1		ANODE PLATE ASSY	42116-003	---	1
37	PIPE PLUG	38649-022	17090	2		LIQUID LEVEL DEVICES:			
38	A HD SETSCREW	GA0501-1/4	17090	2		- DIAPHRAGM TYPE	GRP48-03 or GRP48-06	1	
39	STUD	C0606	17090	8		- FLOAT TYPE	27471-155	---	1
40	DEFORM LK NUT	DD06	17090	8		120V LIQ LVL CONTROL	27521-321	---	1

\* INDICATES PARTS RECOMMENDED FOR STOCK

**THE GORMAN-RUPP COMPANY • MANSFIELD, OHIO**

GORMAN-RUPP OF CANADA LIMITED • ST. THOMAS, ONTARIO, CANADA

Printed in U.S.A.



**THE GORMAN-RUPP COMPANY • MANSFIELD, OHIO**

GORMAN-RUPP OF CANADA LIMITED • ST. THOMAS, ONTARIO, CANADA Printed in U.S.A.

©Copyright by the Gorman-Rupp Company

S/N 1142085 Up  
PUMP ISSUE 3

### Terminal Housing

If your pump serial number is followed by an "N", your pump is **NOT** a standard production model. Contact the Gorman-Rupp Company to verify part numbers.

ITEM NO.		PART NAME	PART NUMBER	MAT'L CODE	QTY
1	*	DYNA-SEAL WASHER	S1590	---	3
2	*	UPPER TERMINAL PLATE GASKET	38687-525	19370	1
3		TERMINAL	DOES NOT APPLY		
4		HEX NUT	D#10	14990	3
5		TERMINAL HOUSING	38381-232	17070	1
6		ROUND HEAD MACHINE SCREW	X#10-02	14990	2
7		T TYPE LOCK WASHER	AK#10	15991	2
8		TERMINAL	DOES NOT APPLY		
9		TERMINAL	DOES NOT APPLY		
10	*	CABLE ASSEMBLY	47351-056	---	1
11		TERMINAL CAP	38381-625	17070	1
12		INFORMATION PLATE	38816-047	17050	1
13		DRIVE SCREW	BM#04-03	17090	4
14	*	HEAT-SHRINK TUBE	31411-233	19530	3
15		HEX NUT	D#10	14990	3
16		TERMINAL PLATE	38713-008	23010	1
17	*	LOWER TERMINAL PLATE GASKET	38687-525	19370	1
18		1 OZ RTV SEALANT	18771-106	---	1
19		TERMINAL	11181	14100	3
20		ALLEN HD SETSCREW	GA#10-01S	15991	3
21		STUD	C00606	17090	2
22		HEX NUT	D06	17090	2
23	*	TERMINAL BUSHING	10758L	19540	1
24		MOTOR PLATE	10436	17050	1
25		DRIVE SCREW	BM#04-03	17090	4
OPTIONAL:					
		HEAT SHRINK TERMINAL KIT	48315-003	---	1

\* INDICATES PARTS RECOMMENDED FOR STOCK

**THE GORMAN-RUPP COMPANY • MANSFIELD, OHIO**

GORMAN-RUPP OF CANADA LIMITED • ST. THOMAS, ONTARIO, CANADA

Printed in U.S.A.

**For U.S. and International Warranty Information,  
Please Visit [www.grpumps.com/warranty](http://www.grpumps.com/warranty)  
or call:  
U.S.: 419-755-1280  
International: +1-419-755-1352**

**For Canadian Warranty Information,  
Please Visit [www.grcanada.com/warranty](http://www.grcanada.com/warranty)  
or call:  
519-631-2870**