

AC

Use With: OM-04151
MR-04152

PUBLICATION NUMBER PL-04168-02
November 1, 1995; Rev. D - 01/28/98
Supersedes: OM-02783-02



PUMP MODEL
S4D65-E10 460/3

MANUAL
PART 2 of 3

PARTS
LIST
WITH
PERFORMANCE CURVE

THE GORMAN-RUPP COMPANY • MANSFIELD, OHIO

GORMAN-RUPP OF CANADA LIMITED • ST. THOMAS, ONTARIO, CANADA Printed in U.S.A.

© Copyright by the Gorman-Rupp Company

PERFORMANCE CURVE – SECTION A

RECORDING MODEL AND SERIAL NUMBERS

Please record the pump model and serial number in the spaces provided below and in the separate Installation/Operation Manual accompanying your pump. Your Gorman-Rupp distributor needs this information when you require parts or service.

Pump Model: _____

Serial Number: _____

WARRANTY INFORMATION

The pump warranty is provided as part of Gorman-Rupp's support program for customers who operate and maintain their equipment as described in this manual and other accompanying literature. Please note that should the equipment be abused or modified to change its performance beyond the original factory specifications, the warranty will become void and any claim will be denied.

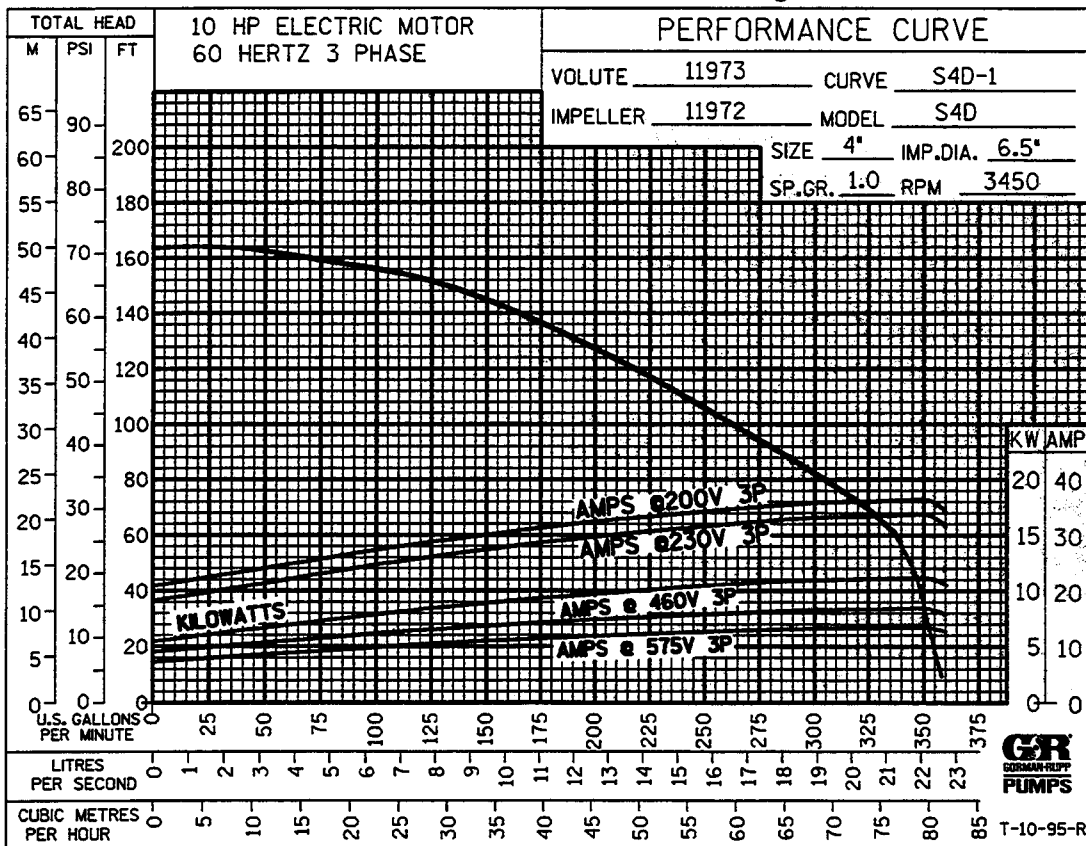
PERFORMANCE CURVES

The performance curves on the following page are based on 70°F (21°C) clear water at sea level. Since pump installations are seldom identical, your performance may be different due to such factors as viscosity, specific gravity, elevation, temperature, and impeller trim.

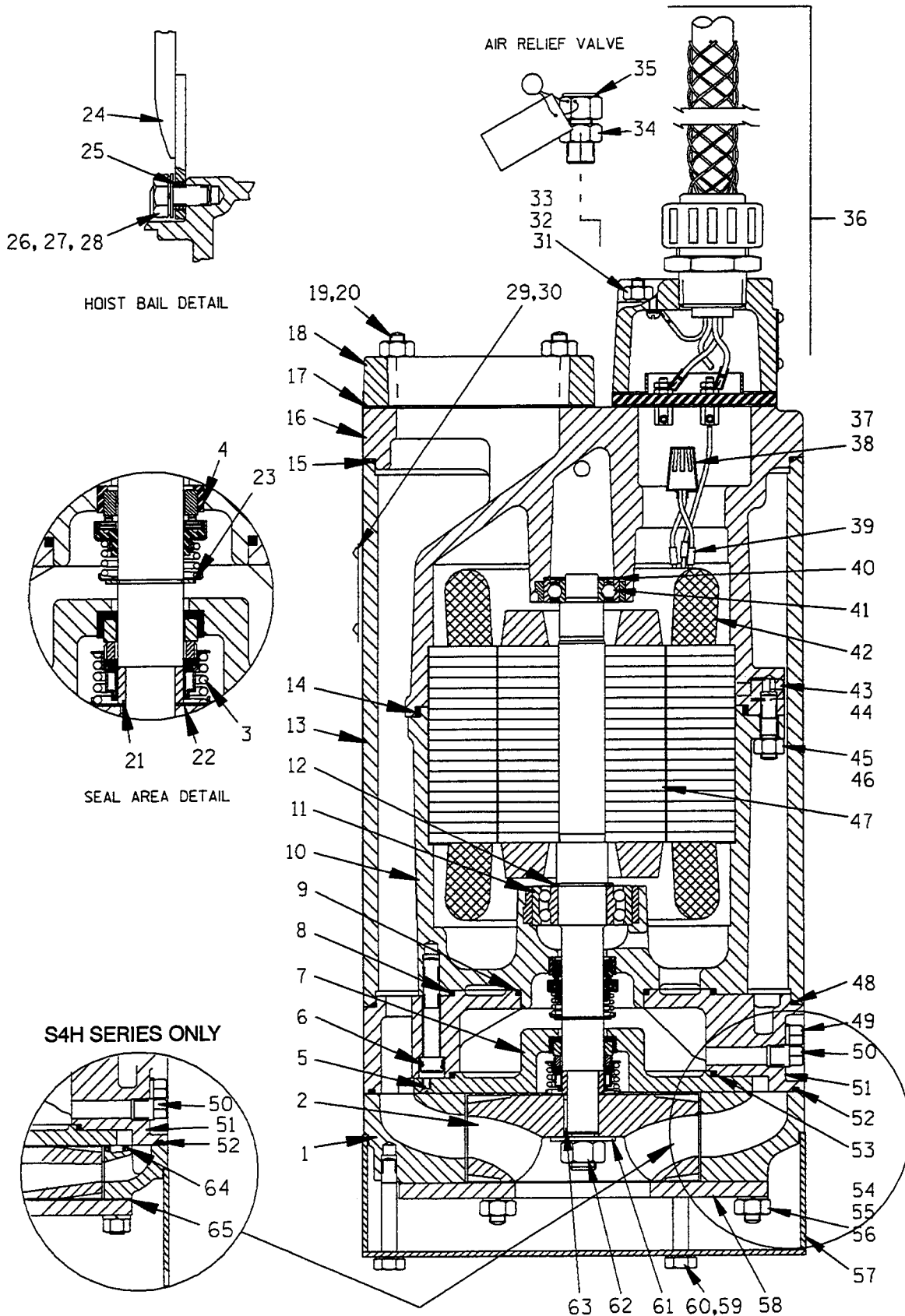
If your pump serial number is followed by an "N", your pump is **NOT** a standard production model. Contact the Gorman-Rupp Company to verify performance or part numbers.



Pump speed and operating condition points must be within the continuous performance range shown on the curve(s).



Performance Curve – Model S4D65–E10 460/3



THE GORMAN-RUPP COMPANY • MANSFIELD, OHIO

GORMAN-RUPP OF CANADA LIMITED • ST. THOMAS, ONTARIO, CANADA Printed in U.S.A.

©Copyright by the Gorman-Rupp Company

S/N 861279 Up
PUMP ISSUE 2

If your pump serial number is followed by an "N", your pump is NOT a standard production model. Contact the Gorman-Rupp Company to verify part numbers.

ITEM NO.	PART NAME	PART NUMBER	MAT'L CODE	QTY	ITEM NO.	PART NAME	PART NUMBER	MAT'L CODE	QTY
1	DIFFUSER	11973	1718H	1	40	BRG SPRING WASHER	S1554	---	1
2 *	IMPELLER	11972	1718H	1	41 *	BALL BEARING	S1044	---	1
3 *	LOWER SEAL ASSY	46512-070	---	1	42	STATOR	47113-853	---	1
4 *	UPPER SEAL ASSY	S1832	---	1	43	SOCKET HD SETSCREW	GA00501 1/4	17090	2
5	FH MACHINE SCREW	Y#10-03	17090	3	44	PIPE PLUG	38649-022	17090	2
6	SOCKET HD CAPSCREW	DM0609	17090	3	45	STUD	C0606	17090	8
7	SEAL PLATE	13882	1718H	1	46	DEFORM LOCK NUT	DD06	17090	8
8 *	INTERMEDIATE O-RING	25154-259	---	1	47 *	ROTOR W/SHAFT ASSY	47112-809	---	1
9 *	INTERMEDIATE O-RING	25154-234	---	1	48 *	INTERMEDIATE O-RING	25154-274	---	1
10	MOTOR HOUSING	38311-031	17070	1	49	MTR CAVITY DRAIN PLUG	P04	17090	1
11 *	LOWER BALL BEARING	23425-007	---	1	50	SEAL CVTY DRAIN PLUG	P04	17090	1
12	BEARING SNAP RING	S1831	---	1	51	INTERMEDIATE	38261-025	17070	1
13	PUMP CASING	38311-806	17040	1	52 *	DIFFUSER O-RING	25154-274	---	1
14 *	MTR HOUSING O-RING	25154-265	---	1	53 *	SEAL PLATE O-RING	25154-259	---	1
15 *	PUMP CASING O-RING	25154-274	---	1	54	STUD	C0612	17090	3
16	UPPER MOTOR HSG	38311-032	17070	1	55	LOCK WASHER	J06	17090	3
17	DISCH FLANGE GSKT	11957G	19370	1	56	HEX NUT	D06	17090	3
18	DISCHARGE FLANGE	11957	17070	1	57	STRAINER	11969	17050	1
19	STUD	C0609	17090	4	58 *	WEAR PLATE	11948A	1718H	1
20	HEX NUT	D06	17090	4	59	HEX HEAD CAPSCREW	B0612	17090	3
21	SHAFT SLEEVE	13878	17090	1	60	LOCK WASHER	J06	17090	3
22 *	IMPELLER ADJ SHIM SET	2Y	17090	1	61	FLAT WASHER	KB010	17090	1
23	SEAL RETAINING RING	24124-332	---	1	62	IMPELLER NUT	D10S	17090	1
24	HOISTING BAIL	11959	24170	1	63	IMPELLER KEY	N0303 1/2	17090	1
25 *	BAIL BUSHING	9562	17120	2		NOT SHOWN:			
26	HEX HD CAPSCREW	B0804	17090	2		MOTOR VOLTAGE TAG	6588AA	---	1
27	LOCK WASHER	J08	17090	2		QT. SUBMERSIBLE OIL	9568	---	1
28	FLAT WASHER	KE08	17090	2		CONTROL BOX	27515-503	---	1
29	NAME PLATE	38818-039	17090	1		CABLE TIE	27111-212	---	1
30	DRIVE SCREW	BM#04-03	17090	6		HEATER PACK	27521-205	---	1
31	STUD	C0513	17090	4		INSTRUCTION TAG	6588AC	---	1
32	LOCKWASHER	DOES NOT APPLY				OPTIONAL:			
33	HEX NUT	D05	17090	4		STAGING ADAPTOR KIT	48272-012	---	1
34 *	RED PIPE BUSHING	AP0604	17090	1		ANODE PLATE ASSY	42116-003	---	1
35 *	RELIEF VALVE ASSY	46431-646	---	1		LIQUID LEVEL DEVICES:			
36	TERM HSG & CAB ASSY	47367-056	---	1		- DIAPHRAGM TYPE	GRP48-03 or GRP48-061		
37	CONNECTOR	S1718	---	3		- FLOAT TYPE	27471-155	---	1
38	HEAT-SHRINK TUBE	31411-235	19450	3		120V LIQ LVL CNTROL	27521-321	---	1
39	WIRE MARKER SET	S2274	---	1					

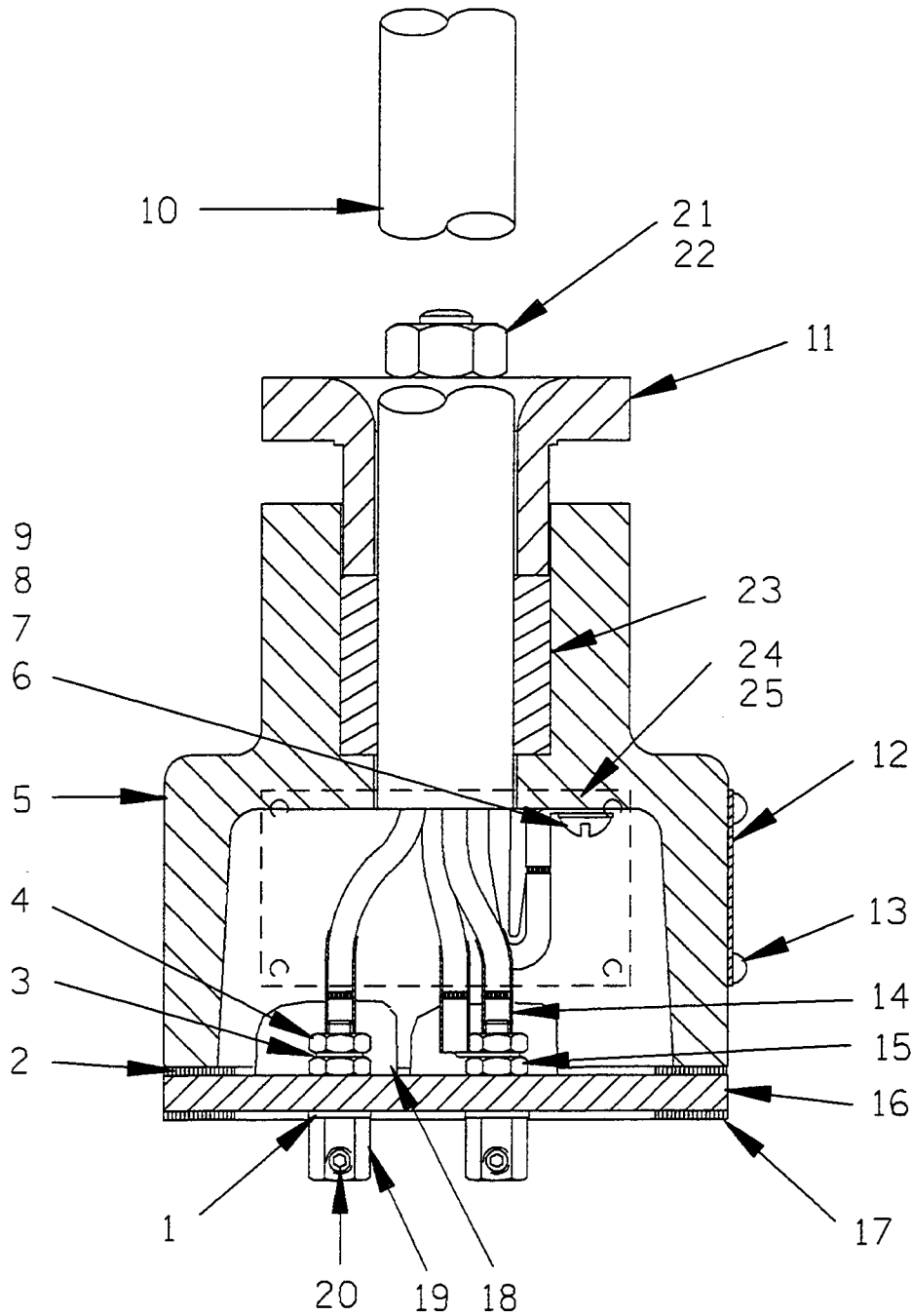
* INDICATES PARTS RECOMMENDED FOR STOCK

Above Serial Numbers Do Not Apply To Pumps Made In Canada.

CANADIAN SERIAL NO. AND UP

THE GORMAN-RUPP COMPANY • MANSFIELD, OHIO

GORMAN-RUPP OF CANADA LIMITED • ST. THOMAS, ONTARIO, CANADA Printed in U.S.A.



THE GORMAN-RUPP COMPANY • MANSFIELD, OHIO

GORMAN-RUPP OF CANADA LIMITED • ST. THOMAS, ONTARIO, CANADA Printed in U.S.A.

S/N 861279 Up
PUMP ISSUE 2

Terminal Housing

If your pump serial number is followed by an "N", your pump is **NOT** a standard production model. Contact the Gorman-Rupp Company to verify part numbers.

ITEM NO.		PART NAME	PART NUMBER	MAT'L CODE	QTY
1	*	DYNA-SEAL WASHER	S1590	---	3
2	*	UPPER TERMINAL PLATE GASKET	38687-525	19370	1
3		TERMINAL	DOES NOT APPLY		
4		HEX NUT	D#10	14990	3
5		TERMINAL HOUSING	38381-232	17070	1
6		ROUND HEAD MACHINE SCREW	X#10-02	14990	2
7		T TYPE LOCK WASHER	AK#10	15991	2
8		TERMINAL	DOES NOT APPLY		
9		TERMINAL	DOES NOT APPLY		
10	*	CABLE ASSEMBLY	47351-056	---	1
11		TERMINAL CAP	38381-625	17070	1
12		INFORMATION PLATE	38816-047	17050	1
13		DRIVE SCREW	BM#04-03	17090	4
14	*	HEAT-SHRINK TUBE	31411-233	19530	3
15		HEX NUT	D#10	14990	3
16		TERMINAL PLATE	38713-008	23010	1
17	*	LOWER TERMINAL PLATE GASKET	38687-525	19370	1
18		1 TUBE RTV SEALANT	18771-106	---	2
19		TERMINAL	11181	14100	3
20		ALLEN HD SETSCREW	GA#10-01S	15991	3
21		STUD	C0606	17090	2
22		HEX NUT	D06	17090	2
23	*	TERMINAL BUSHING	10758L	19540	1
24		MOTOR PLATE	10436	17050	1
25		DRIVE SCREW	BM#04-03	17090	4
OPTIONAL:					
		HEAT SHRINK TERMINAL KIT	48315-003	---	1

* INDICATES PARTS RECOMMENDED FOR STOCK

THE GORMAN-RUPP COMPANY • MANSFIELD, OHIO

GORMAN-RUPP OF CANADA LIMITED • ST. THOMAS, ONTARIO, CANADA Printed in U.S.A.

**For U.S. and International Warranty Information,
Please Visit www.grpumps.com/warranty
or call:
U.S.: 419-755-1280
International: +1-419-755-1352**

**For Canadian Warranty Information,
Please Visit www.grcanada.com/warranty
or call:
519-631-2870**