

AC

Use With: OM-04151  
MR-04278

PUBLICATION NUMBER PL-04171-05

June 1, 1995; Rev. E 02/05/02

Supersedes: PL-04169-05

PL-04170-05

PL-04172-05



## PUMP MODELS

S3A1-230V 1P, S3A1-230V 3P,

S3A1-460V 3P, S3A1-575V 3P

**MANUAL  
PART 2 of 3**

**PARTS  
LIST  
WITH  
PERFORMANCE CURVE**

**THE GORMAN-RUPP COMPANY • MANSFIELD, OHIO**

GORMAN-RUPP OF CANADA LIMITED • ST. THOMAS, ONTARIO, CANADA Printed in U.S.A.

©Copyright by the Gorman-Rupp Company

Register your new  
Gorman-Rupp pump online at  
**[www.gormanrupp.com/register](http://www.gormanrupp.com/register)**.

Valid serial number and e-mail address required.

**RECORD YOUR PUMP MODEL AND SERIAL NUMBER**

Please record your pump model and serial number in the spaces provided below. Your Gorman-Rupp distributor needs this information when you require parts or service.

Pump Model: \_\_\_\_\_

Serial Number: \_\_\_\_\_

## PERFORMANCE CURVE – SECTION A

### RECORDING MODEL AND SERIAL NUMBERS

Please record the pump model and serial number in the spaces provided below and in the separate Installation/Operation Manual accompanying your pump. Your Gorman-Rupp distributor needs this information when you require parts or service.

Pump Model: \_\_\_\_\_

Serial Number: \_\_\_\_\_

### WARRANTY INFORMATION

The pump warranty is provided as part of Gorman-Rupp's support program for customers who operate and maintain their equipment as described in this manual and other accompanying literature. Please note that should the equipment be abused or modified to change its performance beyond the original factory specifications, the warranty will become void and any claim will be denied.

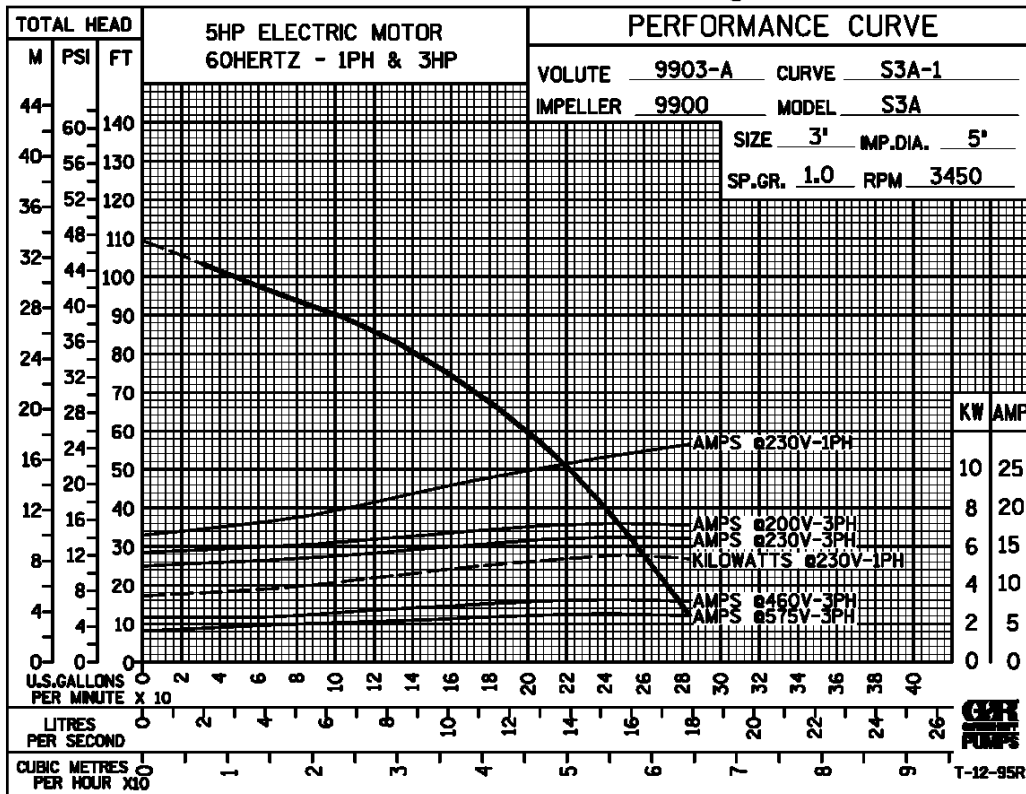
### PERFORMANCE CURVES

The performance curves on the following page are based on 70°F (21°C) clear water at sea level. Since pump installations are seldom identical, your performance may be different due to such factors as viscosity, specific gravity, elevation, temperature, and impeller trim.

If your pump serial number is followed by an "N", your pump is **NOT** a standard production model. Contact the Gorman-Rupp Company to verify performance or part numbers.



Pump speed and operating condition points must be within the continuous performance range shown on the curve(s).



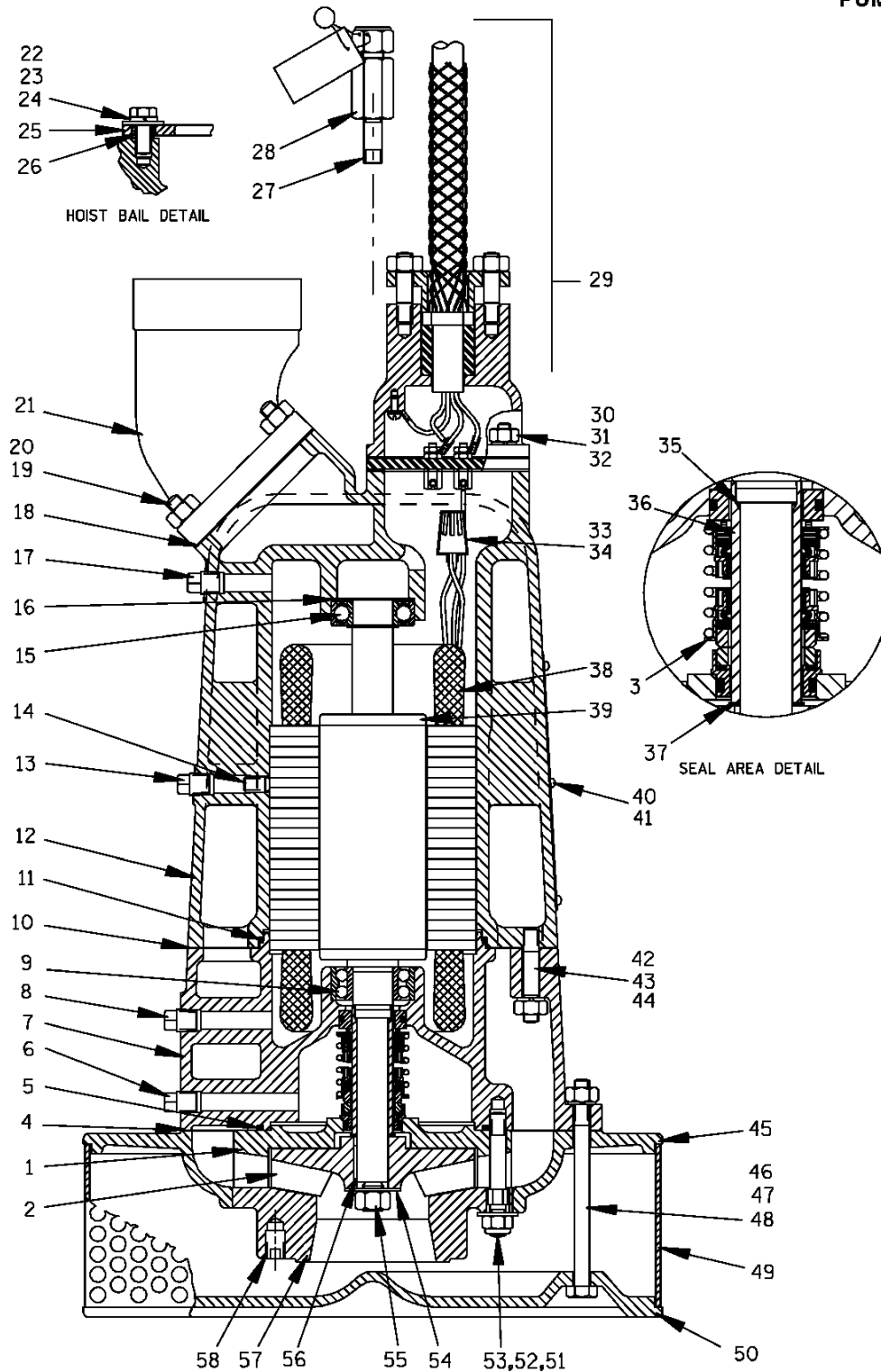
Performance Curve – Model S3A1 – 230V 1P, – 230V 3P, – 460V 3P, – 575V 3P

AC

# S3A1 230V 1P S3A1 230V, 460V, 575V 3P

S/N 831598 UP

PUMP ISSUE 5



## THE GORMAN-RUPP COMPANY • MANSFIELD, OHIO

GORMAN-RUPP OF CANADA LIMITED • ST. THOMAS, ONTARIO, CANADA Printed in U.S.A.

©Copyright by the Gorman-Rupp Company

AUGUST 11, 1986  
Rev. E 02/05/02

1 of 4  
Page 150.3 A3

# S3A1 230V 1P

## S3A1 230V, 460V, 575V 3P

AC

S/N 831598 UP

PUMP ISSUE 5

If your pump serial number is followed by an "N", your pump is NOT a standard production model. Contact the Gorman-Rupp Company to verify part numbers.

ITEM NO.	PART NAME	PART NUMBER	MAT'L CODE	QTY	ITEM NO.	PART NAME	PART NUMBER	MAT'L CODE	QTY
1	DIFFUSER	9903A	11030	1					
2 *	IMPELLER	9900	1101H	1					
3 *	SEAL ASSY	46512-044	---	1	40	-230V, 460V, & 575V 3P	47112-804	---	1
4 *	STRAINER PLATE GSKT	8743G	20000	1	41	NAME PLATE	2613CY	17020	1
5 *	INTERMEDIATE O-RING	S1462	---	1	42	DRIVE SCREW	BM#04-03	17000	6
6	SEAL CAVITY DRAIN/FILL PLUG	P04	17000	1	43	STUD	C0609	17000	6
7	INTERMEDIATE	8743A	13040	1	44	LOCKWASHER	J06	17000	6
8	MTR HSG DRAIN PLUG	P04	17000	1	45	HEX NUT	D06	17000	6
9 *	LOWER BALL BEARING	S1457	---	1	46	STRAINER PLATE	8737	13040	1
10 *	MTR HOUSING GSKT	8430G	20000	1	47	HEX HD CAPSCREW	B0620	15991	4
11 *	INTERMEDIATE O-RING	S1462	---	1	48	LOCKWASHER	J06	15991	4
12	MOTOR HOUSING				49	HEX NUT	D06	15991	4
	-230V 1P	8430B	13040	1	50	STRAINER SCREEN	8753	1500V	1
	-230V, 460V, & 575V 3P	8430A	13040	1	51	BASE PLATE	8738	13080	1
13	PIPE PLUG	P04	17000	1	52	STUD	9913	17090	3
14	ALLEN HD SETSCREW	GA0603	15990	1	53	WASHER	10231	17090	3
15 *	UPPER BALL BEARING	S1458	---	1	54	NYLOCK LOCKNUT	BC06	17000	3
16	BRG WAVE WASHER	S1592	---	1	55	FLAT WASHER	KB08	17000	1
17	PIPE PLUG	P04	17000	1	56 *	HVY IMPELLER NUT	22561-145	---	1
18 *	DISCH FLANGE GASKET	7196GA	20000	1	57 *	IMPELLER KEY	N0303 1/2	17000	1
19	STUD	C0606	15991	4	58	SUCTION HD ASSY	42111-424	---	1
20	HEX NUT	D06	15991	4		ALLEN HD CAPSCREW	DOES NOT APPLY		
21	DISCHARGE ELBOW	11357	13040	1	NOT SHOWN:				
22	HEX HD CAPSCREW	B0804	15991	2		CONTROL BOX ASSY			
23	LOCKWASHER	J08	15991	2		-230V 1P	47631-131	----	1
24	FLAT WASHER	KE08	15991	2		-230V 3P	47631-132	----	1
25	HOIST BAIL	9268	1500V	1		-460V 3P	47631-133	----	1
26	BUSHING	9562	15991	2		-575V 3P	47631-134	----	1
27	HVY PIPE NIPPLE	THA0406	15079	1		SUB PUMP OIL	9568	----	1
28 *	RELIEF VALVE ASSY	46431-609	----	1		IMPELLER PULLER	10285	----	1
29	TERMINAL HOUSING AND CABLE ASSY	47367-041	----	1		CABLE TIE	27111-212	----	1
30	STUD	C0506	15991	4		MOTOR VOLTAGE TAG			
31	LOCKWASHER	J05	15991	4		-230V 1P	38816-098	----	1
32	HEX NUT	D05	15991	4		-230V 3P	38816-094	----	1
33	CONNECTOR					-460V 3P	38816-093	----	1
	-230V 1P & 575V 3P	DOES NOT APPLY				-575V 3P	38816-128	----	1
	-230V 3P	S1718	----	1		MOTOR PLATE			
	-460V 3P	S1718	----	3		-230V 1P & 575V 3P	DOES NOT APPLY		
34	HEAT SHRINK TUBE					-230V 3P & 460V 3P	10436	17000	1
	-230V 1P & 575V 3P	DOES NOT APPLY				DRIVE SCREW			
	-230V 3P	31411-235	19450	1		-230V 1P & 575V 3P	DOES NOT APPLY		
	-460V 3P	31411-235	19450	3		-230V 3P & 460V 3P	BM#04-03	17000	4
35 *	SLEEVE O-RING	S1461	----	REF		INSTRUCTION TAG	6588AC	----	1
36 *	SHAFT SLEEVE	8742A	17030	1	OPTIONAL:				
37 *	IMP ADJ SHIM SET	2Y	17090	1		REPAIR GSKT SET	11000C	----	1
38	STATOR					STAGING ADAPTOR KIT	48272-003	----	1
	-230V 1P	47113-807	----	1	LIQUID LEVEL DEVICES:				
	-230V 3P & 460V 3P	47113-808	----	1		DIAPHRAGM TYPE	GRP48-03 or GRP48-06		1
	-575V 3P	47113-809	----	1		FLOAT TYPE	27471-180	----	1
39 *	ROTOR W/SHAFT					120V LIQ LVL CONTROL			
	-230V 1P	47112-803	----	1		-230V 1P	47631-070	----	1
						-230V 3P & 460V 3P	47631-136	----	1
						-575V 3P	47631-072	----	1

\* INDICATES PARTS RECOMMENDED FOR STOCK

## THE GORMAN-RUPP COMPANY • MANSFIELD, OHIO

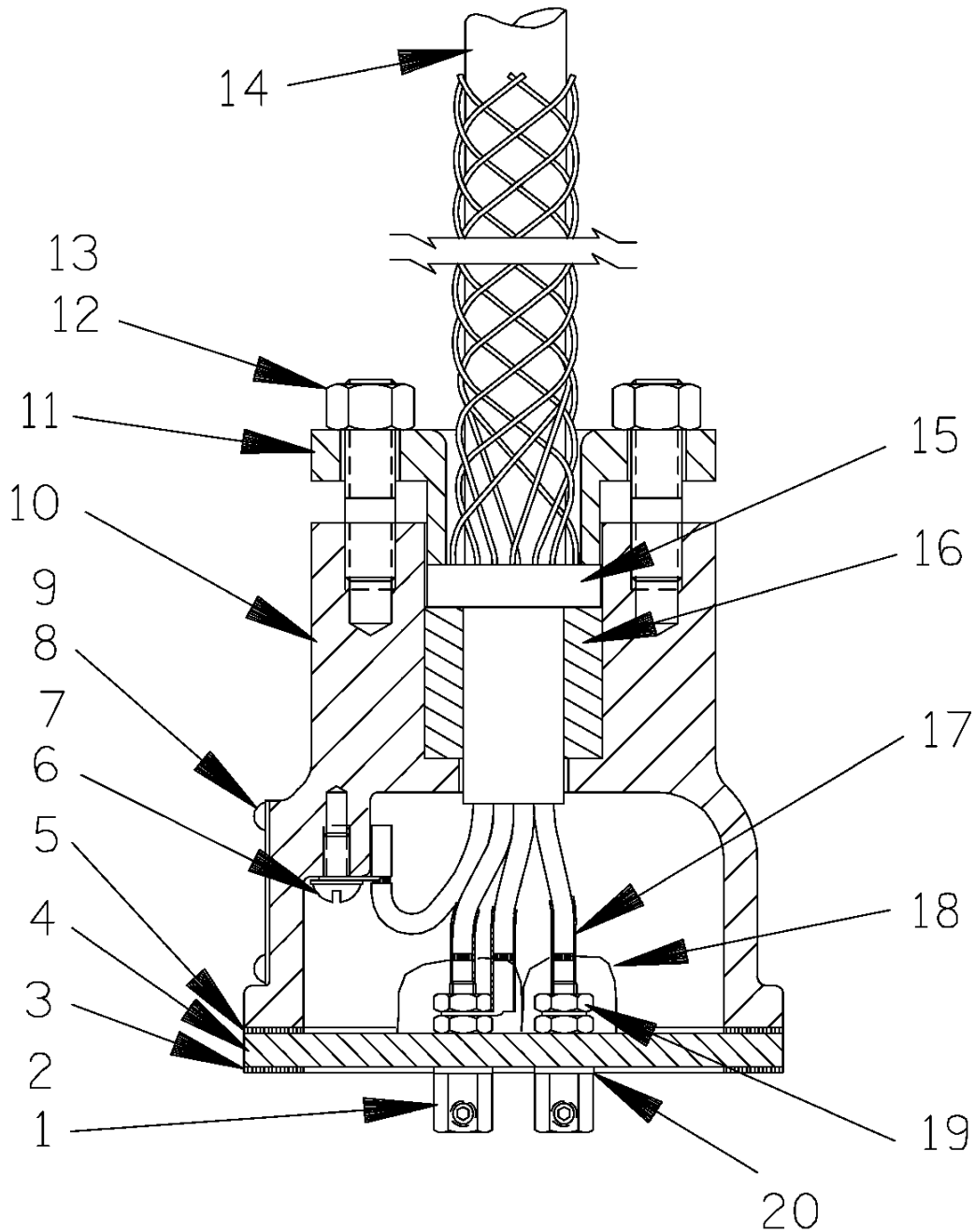
GORMAN-RUPP OF CANADA LIMITED • ST. THOMAS, ONTARIO, CANADA Printed in U.S.A.

AC

# S3A1 230V 1P S3A1 230V, 460V, 575V 3P

S/N 831598 UP

PUMP ISSUE 5



## THE GORMAN-RUPP COMPANY • MANSFIELD, OHIO

GORMAN-RUPP OF CANADA LIMITED • ST. THOMAS, ONTARIO, CANADA Printed in U.S.A.

©Copyright by the Gorman-Rupp Company

AUGUST 11, 1986  
Rev. E 02/05/02

3 of 4  
Page 150.3 A3

**S3A1 230V 1P**  
**S3A1 230V, 460V, 575V 3P**

AC

S/N 831598 UP

PUMP ISSUE 5

**Terminal Housing And Cable Assembly**

If your pump serial number is followed by an "N", your pump is **NOT** a standard production model. Contact the Gorman-Rupp Company to verify part numbers.

ITEM NO.	PART NAME	PART NUMBER	MAT'L CODE	QTY
1	TERMINAL	11181	14100	3
2	ALLEN HEAD SETSCREW	GA#10-01S	15991	3
3	* LOWER TERMINAL PLATE GASKET	10321G	20000	1
4	TERMINAL PLATE	10320A	23010	1
5	* UPPER TERMINAL PLATE GASKET	10321G	20000	1
6	ROUND HEAD MACHINE SCREW	X#10-01 1/2	14990	1
7	T TYPE LOCK WASHER	AK#10	15991	1
8	INFORMATION PLATE	38816-047	17990	1
9	DRIVE SCREW	BM#04-03	17000	4
10	TERMINAL HOUSING	10757	13040	1
11	TERMINAL CAP	10756B	13040	1
12	STUD	C0606	15991	2
13	HEX NUT	D06	15991	2
14	* CABLE ASSEMBLY	9166H	---	1
15	* CABLE GRIP	11227B	---	1
16	* GLAND BUSHING	10758F	19100	1
17	HEAT SHRINK TUBE	31411-203	19530	3
18	RTV SEALANT	18771-106	---	2
19	HEX NUT	D#10	14990	6
20	DYNA-SEAL WASHER	S1590	---	3

OPTIONAL:

HEAT SHRINK TERMINAL KIT	48315-008	---	1
EXTENSION CABLE			
-50 FOOT	10227A	---	1
-75 FOOT	10227B	---	1
-100 FOOT	10227C	---	1
TERMINAL REPOTTING KIT	12442B	---	1

\* INDICATES PARTS RECOMMENDED FOR STOCK

**THE GORMAN-RUPP COMPANY • MANSFIELD, OHIO**

GORMAN-RUPP OF CANADA LIMITED • ST. THOMAS, ONTARIO, CANADA Printed in U.S.A.

**For U.S. and International Warranty Information,  
Please Visit [www.grpumps.com/warranty](http://www.grpumps.com/warranty)**

**or call:**

**U.S.: 419-755-1280**

**International: +1-419-755-1352**

**For Canadian Warranty Information,  
Please Visit [www.grcanada.com/warranty](http://www.grcanada.com/warranty)**

**or call:**

**519-631-2870**

**THE GORMAN-RUPP COMPANY • MANSFIELD, OHIO**

**GORMAN-RUPP OF CANADA LIMITED • ST. THOMAS, ONTARIO, CANADA**