

ACU

Use With: OM-04151  
MR-04204

PUBLICATION NUMBER PL-04194-03

February 5, 2008

Rev. A 03-22-12



**PUMP MODELS**

**S8C1 460V 3P**

**S8C1 575V 3P**

**MANUAL**  
**PART 2 of 3**

**PARTS**  
**LIST**

**WITH**  
**PERFORMANCE CURVE**

**THE GORMAN-RUPP COMPANY • MANSFIELD, OHIO**

[www.grpumps.com](http://www.grpumps.com)

**GORMAN-RUPP OF CANADA LIMITED • ST. THOMAS, ONTARIO, CANADA**

Printed in U.S.A.

©2008 The Gorman-Rupp Company

Register your new  
Gorman-Rupp pump online at  
**[www.grpumps.com](http://www.grpumps.com)**

Valid serial number and e-mail address required.

**RECORD YOUR PUMP MODEL AND SERIAL NUMBER**

Please record your pump model and serial number in the spaces provided below. Your Gorman-Rupp distributor needs this information when you require parts or service.

Pump Model: \_\_\_\_\_

Serial Number: \_\_\_\_\_

## PERFORMANCE CURVE – SECTION A

### RECORDING MODEL AND SERIAL NUMBERS

Please record the pump model and serial number in the spaces provided below and in the separate Installation/Operation Manual accompanying your pump. Your Gorman-Rupp distributor needs this information when you require parts or service.

Pump Model: \_\_\_\_\_

Serial Number: \_\_\_\_\_

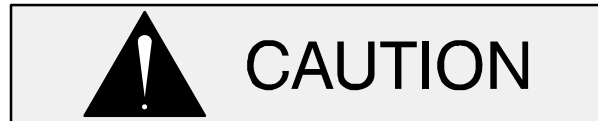
### WARRANTY INFORMATION

The pump warranty is provided as part of Gorman-Rupp's support program for customers who operate and maintain their equipment as described in this manual and other accompanying literature. Please note that should the equipment be abused or modified to change its performance beyond the original factory specifications, the warranty will become void and any claim will be denied.

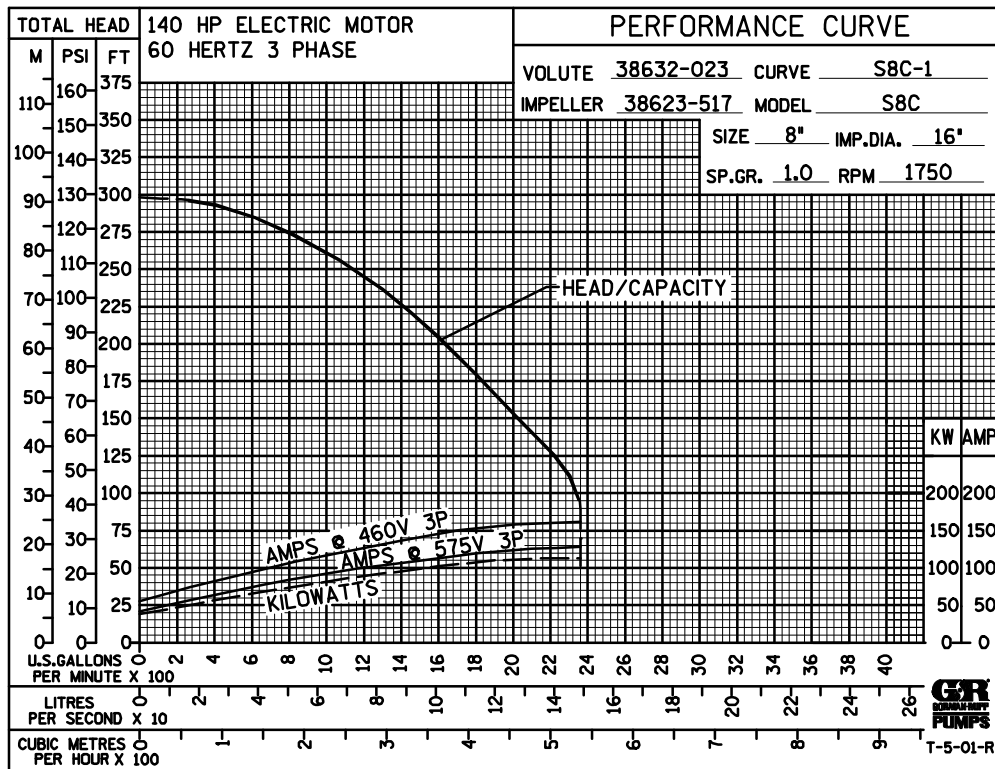
### PERFORMANCE CURVE

The performance curve below is based on 70° F (21° C) clear water at sea level. Since pump installations are seldom identical, your performance may be different due to such factors as viscosity, specific gravity, elevation, temperature, and impeller trim.

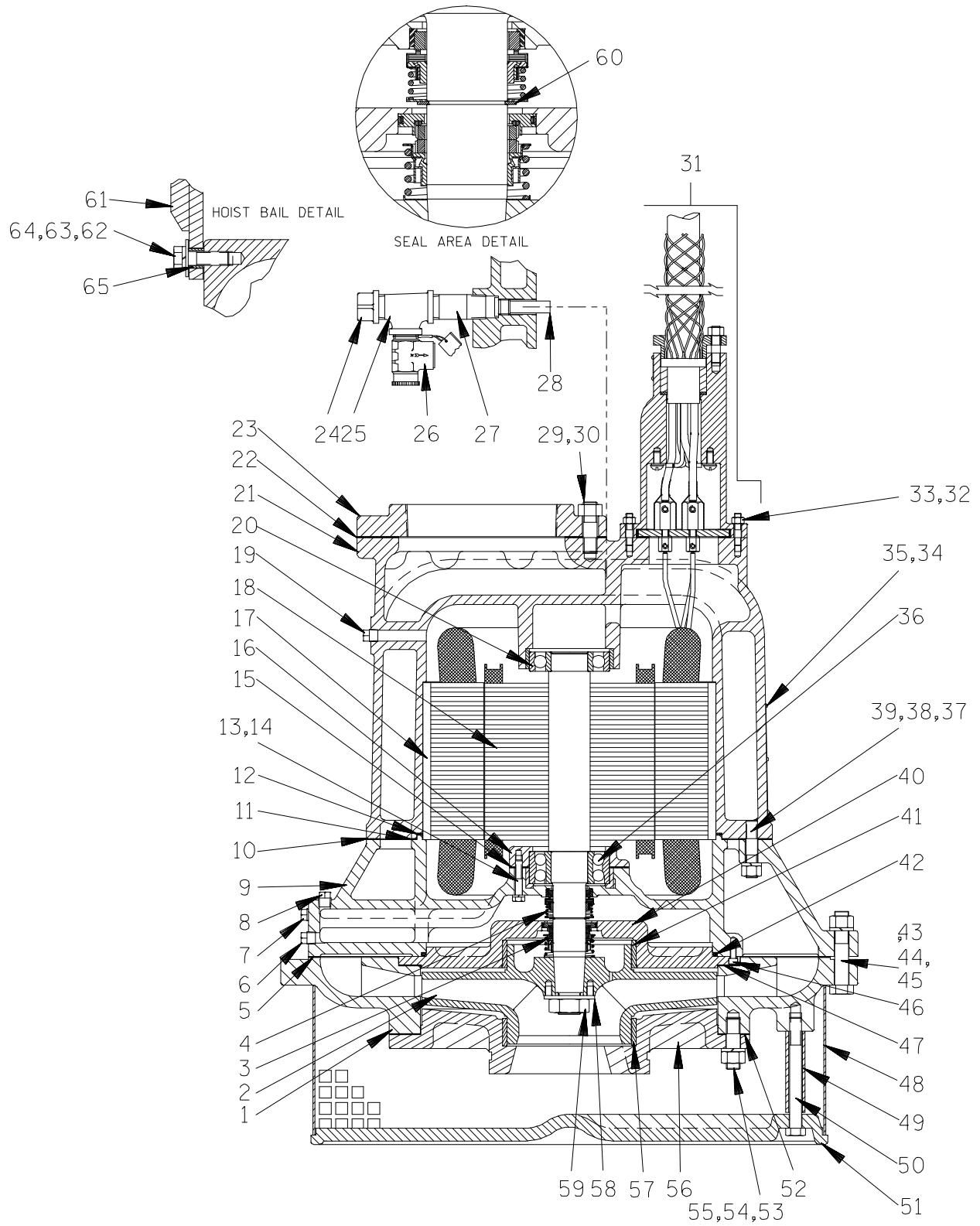
If your pump serial number is followed by an "N", your pump is **NOT** a standard production model. Contact the Gorman-Rupp Company to verify performance or part numbers.



Pump speed and operating condition points must be within the continuous performance range shown on the curve(s).



**Performance Curve – Model S8C1 460V 3P And S8C1 575V 3P**



**THE GORMAN-RUPP COMPANY • MANSFIELD, OHIO**

GORMAN-RUPP OF CANADA LIMITED • ST. THOMAS, ONTARIO, CANADA Printed in U.S.A.

# S8C1 460V/575V 3P

ACU

S/N 1388717 UP

## PUMP ISSUE 3

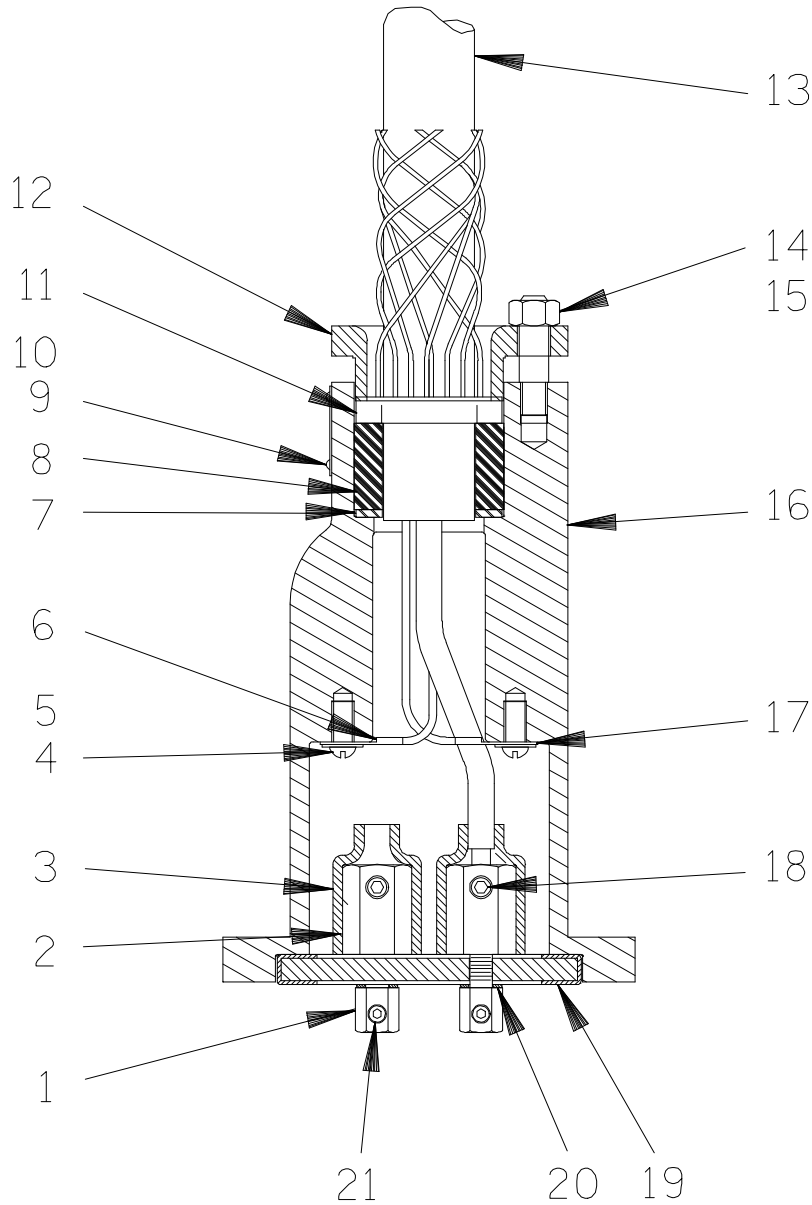
If your pump serial number is followed by an "N", your pump is NOT a standard production model. Contact the Gorman-Rupp Company to verify part numbers.

ITEM NO.	PART NAME	PART NUMBER	MAT'L CODE	QTY	ITEM NO.	PART NAME	PART NUMBER	MAT'L CODE	QTY
1	DIFFUSER	38632-023	11030	1	46	SOC HD CAPSCREW	BD0503	17000	6
2 *	IMPELLER	38623-517	11030	1	47 *	GASKET	38682-812	20000	1
3 *	LOWER SEAL ASSY	46512-055	----	1	48	STRAINER SCREEN	10090	1599V	1
4 *	UPPER SEAL ASSY	25271-947	----	1	49	PIPE	31413-026	15079	6
5 *	DIFFUSER GASKET	38682-813	20000	1	50	HEX HD CAPSCREW	B1024	15991	6
6	SEAL CAVITY PIPE PLUG	P06	17000	1	51	BASE PLATE	10036	13080	1
7	MTR CAVITY DRAIN PLUG	P06	17000	1	52 *	GASKET	38683-817	20000	1
8	MTR CAVITY FILL PLUG	P06	17000	1	53	STUD	C1211	1706G	8
9	INTERMEDIATE	38261-022	13040	1	54	HEX NUT	D12	17000	8
10 *	GASKET	38684-703	20000	1	55	LOCK WASHER	J12	17000	8
11 *	GASKET	10062G	20000	1	56	SUCTION HEAD	38246-033	10010	1
12 *	GASKET	10038G	20000	1	57 *	WEAR RING	38691-309	14000	1
13	HEX HD CAPSCREW	B0608	15991	4	58 *	IMPELLER WASHER	11199	17000	1
14	LOCK WASHER	J06	15991	4	59 *	JAM NUT	AT20S	17000	1
15	GASKET	10085G	20000	1	60	RETAINING RING	S264	----	1
16	BEARING CAP	10085	10010	1	61	BAIL	10039	2400V	1
17	STATOR ASSY (460V)	47113-077	----	1	62	HEX HD CAPSCREW	B1210	15991	2
17	STATOR ASSY (575V)	47113-078	----	1	63	LOCK WASHER	J12	15991	2
18	ROTOR & SHAFT ASSY	47112-077	----	1	64	FLAT WASHER	K12	15991	2
19	PIPE PLUG	P06	17000	1	65	BUSHING	10045	15071	2
20 *	BALL BEARING	S1077	----	1	NOT SHOWN:				
21	MOTOR HOUSING	42822-015	24130	1		CONTROL BOX			
22 *	GASKET	1759G	18000	1		-460V	27515-507	----	1
23	FLANGE	1759	10010	1		-575V	27515-517	----	1
24	PIPE CAP	V16	11999	1		* 1 QT SUB MOTOR OIL	9568	----	1
25	STREET TEE ASSY	14138	----	1		MOTOR VOLTAGE TAG			
26 *	PRESS RELIEF VLV ASSY	14139	----	1		-460V	6588BL	----	1
27	PIPE NIPPLE	THA1614	15079	1		-575V	6588BM	----	1
28	FILL TUBE ASSY	10040	24040	1		IMP KNOCKER	2177C	14070	1
29	STUD	C1211	15991	8		HEATER PACK			
30	HEX NUT	D12	15991	8		-460V	27521-220	----	1
31	TERM HSG & CBL ASSY	47367-061	----	1		-575V	27521-219	----	1
32	STUD	C0607	15991	6	OPTIONAL:				
33	DEFORM LOCK NUT	DD06	15991	6		REPAIR GASKET SET	11000V	----	1
34	DRIVE SCREW	BM#04-03	17000	6		HEAT-SHRINK TUBE &	48315-004	----	1
35	NAME PLATE	2613CY	17020	1		ADHESIVE KIT			
36 *	BALL BEARING	23431-461	----	1		TERM POTTING KIT	12442A	----	1
37	STUD	10443	1706G	12		ANODE PLATE ASSY	42116-002	----	1
38	HEX NUT	D10	17000	12	LIQUID LEVEL DEVICES:				
39	LOCK WASHER	J10	17000	12		DIAPHRAGM TYPE	GRP48-03	----	1
40	SEAL PLATE	38272-707	10010	1			GRP48-06	----	1
41 *	WEAR RING	38691-309	14000	1		FLOAT TYPE	27471-180	----	1
42 *	O-RING	S2207	----	1		LIQ LEV CONTRL RELAY	27521-321	----	1
43	HEX HD CAPSCREW	B1216	15991	20					
44	HEX NUT	D12	15991	20					
45	LOCK WASHER	J12	15991	20					

\* INDICATES PARTS RECOMMENDED FOR STOCK

## THE GORMAN-RUPP COMPANY • MANSFIELD, OHIO

GORMAN-RUPP OF CANADA LIMITED • ST. THOMAS, ONTARIO, CANADA Printed in U.S.A.



**THE GORMAN-RUPP COMPANY • MANSFIELD, OHIO**

GORMAN-RUPP OF CANADA LIMITED • ST. THOMAS, ONTARIO, CANADA Printed in U.S.A.

# S8C1 460V/575V 3P

ACU

S/N 1388717 UP

PUMP ISSUE 3

## 460V 3P Terminal Housing And Cable Assembly 47367-061

If your pump serial number is followed by an "N", your pump is **NOT** a standard production model. Contact the Gorman-Rupp Company to verify part numbers.

ITEM NO.	PART NAME	PART NUMBER	MAT'L CODE	QTY
1	TERMINAL POST	38724-009	14100	3
2	TERMINAL COLLAR	10052A	14100	3
3	* HEAT-SHRINK TUBE	31417-030	19530	3
4	T-TYPE LOCKWASHER	AK06	15991	2
5	RD HD MACH SCREW	X0603	14990	2
6	TERMINAL	27214-058	---	1
7	TERMINAL WASHER	10659B	15991	1
8	* GLAND BUSHING	10758E	19100	1
9	INFORMATION PLATE	38816-047	17990	1
10	DRIVE SCREW	BM#04-03	17000	4
11	* CABLE GRIP	11227F	---	1
12	TERMINAL GLAND	10658	13040	1
13	* POWER CABLE	10325A	---	1
14	HEX NUT	D08	15991	2
15	STUD	C0808	15991	2
16	TERMINAL HOUSING	10088B	13040	1
17	TERMINAL	27214-065	---	1
18	AL HD SETSCREW	GA0602	14990	3
19	* TERMINAL PLT ASSY	11163	24010	1
20	* DYNA SEAL WASHER	S1586	---	3
21	AL HD SETSCREW	GA0501 1/2	14990	3

NOT SHOWN:

2 OZ RTV SEALANT 18771-106 --- 1

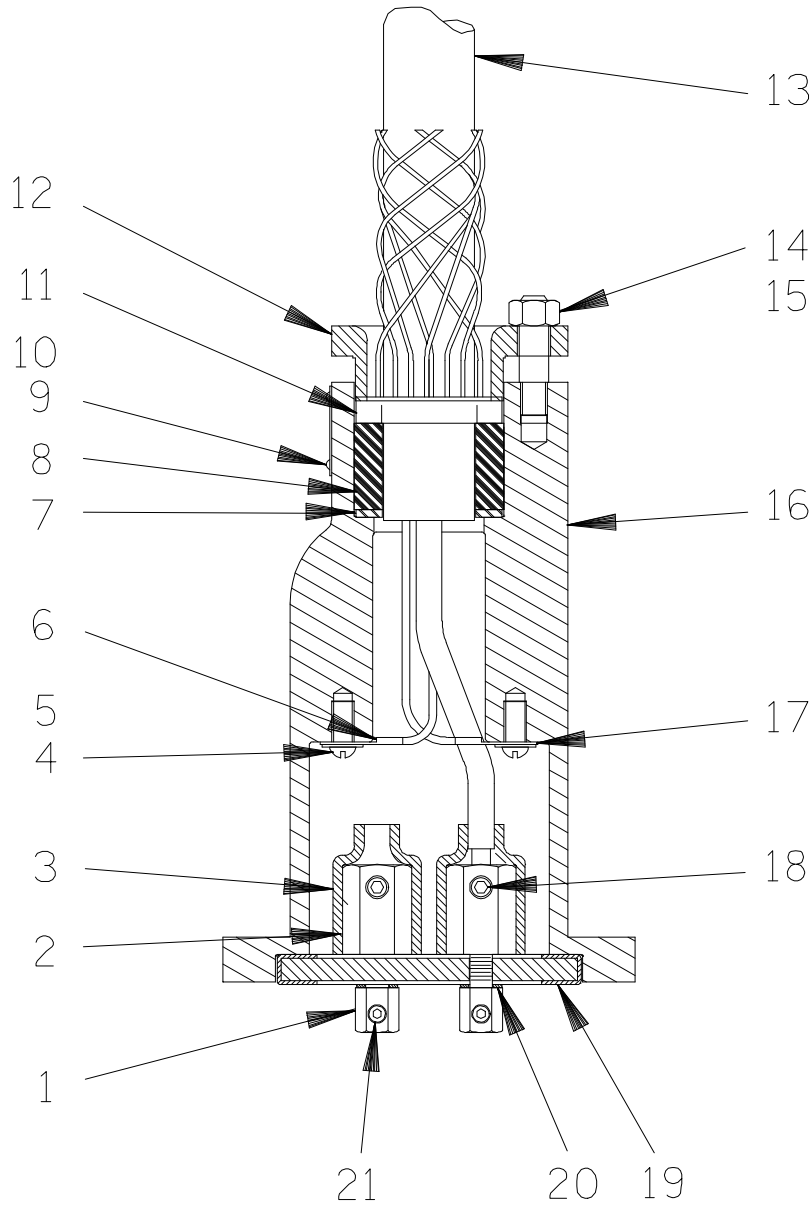
OPTIONAL:

HEAT SHRINK TERMINAL KIT 48315-004 --- 1

\* INDICATES PARTS RECOMMENDED FOR STOCK

## THE GORMAN-RUPP COMPANY • MANSFIELD, OHIO

GORMAN-RUPP OF CANADA LIMITED • ST. THOMAS, ONTARIO, CANADA Printed in U.S.A.



**THE GORMAN-RUPP COMPANY • MANSFIELD, OHIO**

GORMAN-RUPP OF CANADA LIMITED • ST. THOMAS, ONTARIO, CANADA Printed in U.S.A.



# S8C1 460V/575V 3P

ACU

S/N 1388717 UP

PUMP ISSUE 3

## 575V 3P Terminal Housing And Cable Assembly 47367-028

If your pump serial number is followed by an "N", your pump is **NOT** a standard production model. Contact the Gorman-Rupp Company to verify part numbers.

ITEM NO.	PART NAME	PART NUMBER	MAT'L CODE	QTY
1	TERMINAL POST	38724-009	14100	3
2	TERMINAL COLLAR	10052A	14100	3
3	* HEAT-SHRINK TUBE	31417-030	19530	3
4	T-TYPE LOCKWASHER	AK06	15991	2
5	RD HD MACH SCREW	X0603	14990	2
6	TERMINAL	27214-062	---	1
7	TERMINAL WASHER	31133-110	15991	1
8	* GLAND BUSHING	31144-001	19100	1
9	INFORMATION PLATE	38816-047	17990	1
10	DRIVE SCREW	BM#04-03	17000	4
11	* CABLE GRIP	11227H	---	1
12	TERMINAL GLAND	10658	13040	1
13	* POWER CABLE	10325L	---	1
14	HEX NUT	D08	15991	2
15	STUD	C0808	15991	2
16	TERMINAL HOUSING	10088B	13040	1
17	TERMINAL	S1550	---	1
18	AL HD SETSCREW	GA0602	14990	3
19	* TERMINAL PLT ASSY	11163	24010	1
20	* DYNA SEAL WASHER	S1586	---	3
21	AL HD SETSCREW	GA0501 1/2	14990	3

NOT SHOWN:

1 OZ RTV SEALANT	18771-106	---	1
------------------	-----------	-----	---

\* INDICATES PARTS RECOMMENDED FOR STOCK

## THE GORMAN-RUPP COMPANY • MANSFIELD, OHIO

GORMAN-RUPP OF CANADA LIMITED • ST. THOMAS, ONTARIO, CANADA Printed in U.S.A.

**For U.S. and International Warranty Information,  
Please Visit [www.grpumps.com/warranty](http://www.grpumps.com/warranty)  
or call:  
U.S.: 419-755-1280  
International: +1-419-755-1352**

**For Canadian Warranty Information,  
Please Visit [www.grcanada.com/warranty](http://www.grcanada.com/warranty)  
or call:  
519-631-2870**