



PUMP MODELS
S4J1-E60 460/575/3

MANUAL
PART 2 of 3

PARTS
LIST
WITH
PERFORMANCE CURVE

GORMAN-RUPP PUMPS

www.grpumps.com

PERFORMANCE CURVE – SECTION A

RECORDING MODEL AND SERIAL NUMBERS

Please record the pump model and serial number in the spaces provided below and in the separate Installation/Operation Manual accompanying your pump. Your Gorman-Rupp distributor needs this information when you require parts or service.

Pump Model: _____

Serial Number: _____

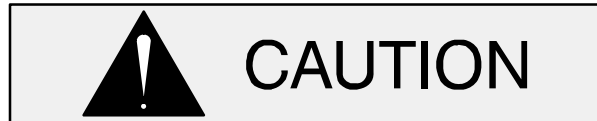
WARRANTY INFORMATION

The pump warranty is provided as part of Gorman-Rupp's support program for customers who operate and maintain their equipment as described in this manual and other accompanying literature. Please note that should the equipment be abused or modified to change its performance beyond the original factory specifications, the warranty will become void and any claim will be denied.

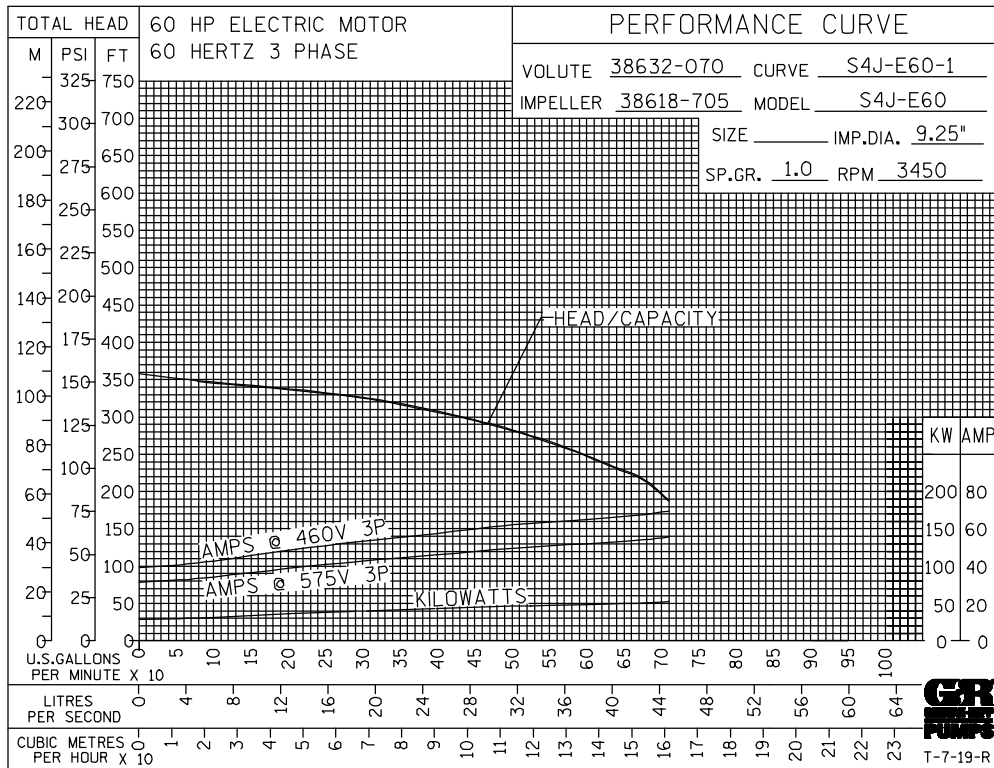
PERFORMANCE CURVE

The performance curve below is based on 70° F (21° C) clear water at sea level. Since pump installations are seldom identical, your performance may be different due to such factors as viscosity, specific gravity, elevation, temperature, and impeller trim.

If your pump serial number is followed by an "N", your pump is **NOT** a standard production model. Contact the Gorman-Rupp Company to verify performance or part numbers.



Pump speed and operating condition points must be within the continuous performance range shown on the curve(s).

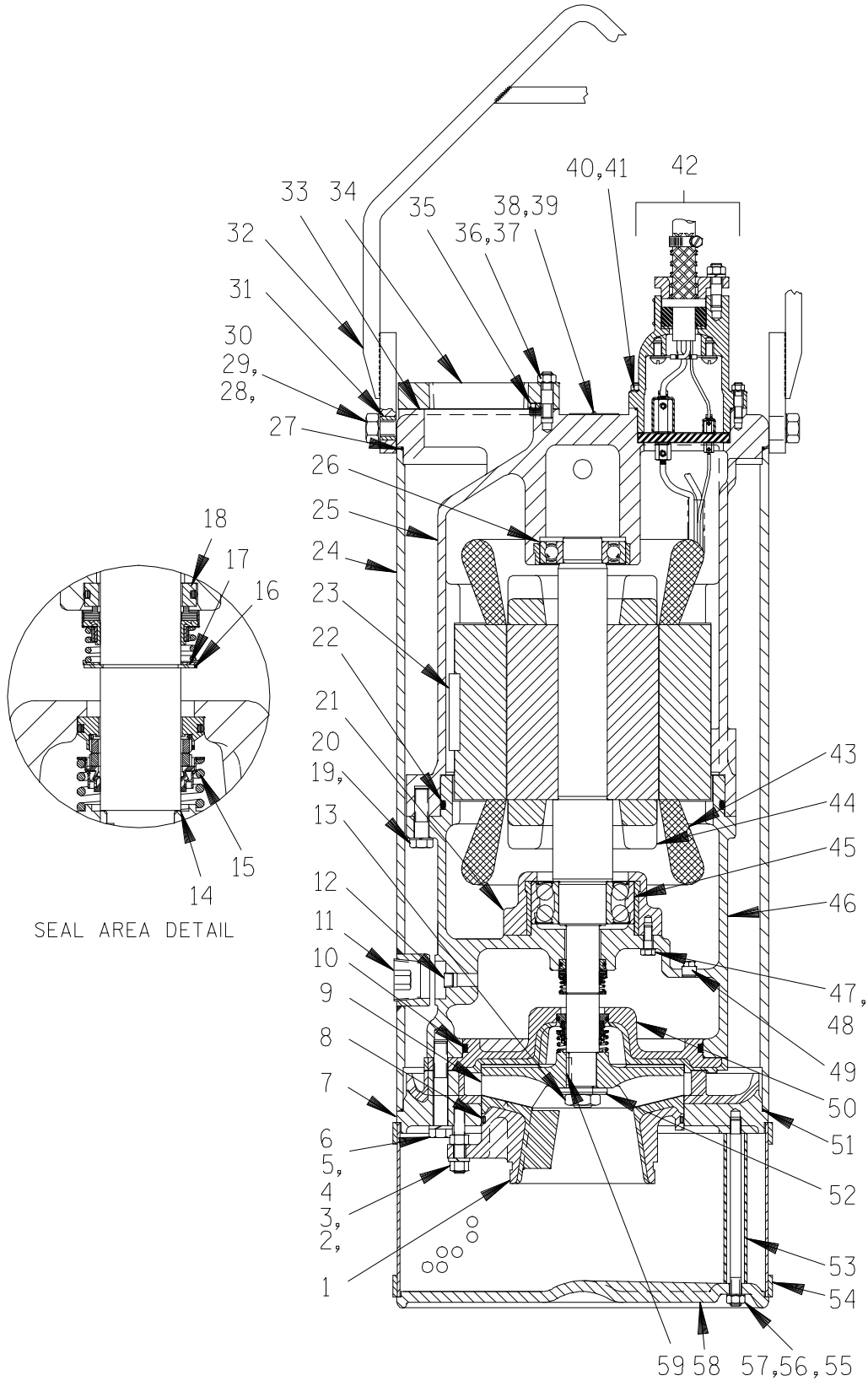


Performance Curve – Model S4J1-E60 460/575/3

S4J1-E60 460/575/3

S/N 1267896 UP

PUMP ISSUE 4



GORMAN-RUPP PUMPS

June 4, 2003

www.grpumps.com

©2003 Gorman-Rupp Pumps

1 of 4
Page 150.4 J4

Printed in U.S.A.

S4J1-E60 460/575/3

S/N 1267896 UP

PUMP ISSUE 4

If your pump serial number is followed by an "N", your pump is NOT a standard production model. Contact the Gorman-Rupp Company to verify part numbers.

ITEM NO.	PART NAME	PART NUMBER	QTY	ITEM NO.	PART NAME	PART NUMBER	QTY
1	SUCTION HEAD	38246-040 24010	1		-575V	47113-048	1
2	THREADED ROD	31345-087 17000	6	44	ROTOR & SHAFT ASSY	47112-047	1
3	HEX NUT	D08 17000	12	45 *	LOWER BALL BEARING	23425-462	1
4	LOCK WASHER	J08 17000	6	46	LOWER MOTOR HSG	38311-306 13040	1
5	HEX HD CAPSCREW	B1016 17000	6	47	HEX HD CAPSCREW	B0605 15991	4
6	PRESS SEAL WASHER	25123-013	6	48	DYNA SEAL WASHER	S1586	4
7	DIFFUSER	38632-070 24010	1	49	PIPE PLUG	P06 15079	1
8 *	SUCT HEAD O-RING	25152-372	1	50	SEAL PLATE	38272-532 24010	1
9 *	IMPELLER	38618-705	1	51 *	MTR HOUSING O-RING	25152-282	1
10	SEAL PLATE O-RING	S1990	1	52 *	IMPELLER WASHER	31131-026 17000	1
11	SOC HD PIPE PLUG	PC24 17000	1	53	STRAINER SUPPORT	31412-034 15079	6
12	SEAL DRAIN/FILL PLUG	PC06 17000	1	54	STRAINER ASSY	46611-008	1
13 *	IMPELLER NUT	AT14S 17000	1	55	STUD	C0834 15991	6
14 *	IMP ADJ SHIM SET	37J 17090	1	56	LOCK WASHER	J08 15991	6
15 *	LOWER SEAL ASSY	46512-056	1	57	HEX NUT	D08 15991	6
16	RETAINING RING	S245	1	58	BASE PLATE	38352-306 13080	1
17 *	SPRING HOLDER	25273-273	1	59 *	IMPELLER KEY	N0405 17000	1
18 *	UPPER SEAL ASSY	25271-903	1	NOT SHOWN:			
19	HEX HD CAPSCREW	B1008 17000	6	MOTOR TAG:			
20	LOCK WASHER	J10 17000	6	-460/3			6588BL 1
21	BEARING CAP	38322-421 13040	1	-575V			6588BM 1
22 *	LWR MTR HSG O-RING	S1676	1	CONTROL BOX:			
23 *	STATOR KEY	N0812 17000	1	-460V			27515-525 1
24	MOTOR HOUSING	38311-809 13000	1	-575V			27515-535 1
25	UPPER MOTOR HSG	38311-316 13000	1	HEATER PACK:			
26 *	UPPER BALL BEARING	23282-010	1	-460/3			27521-211 1
27 *	MTR HOUSING O-RING	25152-282	1	-575/3			27521-210 1
28	HEX HD CAPSCREW	B1208 15991	2	IMPELLER PULLER			48711-018 1
29	LOCK WASHER	J12 15991	2	HEAT SHRINK TUBE 5" LG			18763-249 1
30	FLAT WASHER	K12 15991	2	INSTRUCTION TAG			38817-073 1
31	BUSHING	10045 15071	2	G-R DECAL			GR-03 1
32	HOISTING BAIL ASSY	44713-026	1	OPTIONAL:			
33 *	DISCH FLANGE GASKET	38687-049 20000	1	REPAIR GASKET SET			48211-071 1
34	DISCHARGE FLANGE	38641-303 10010	1	5 X 6 DISCH FLANGE			38642-207 10010 1
35	PIPE PLUG	P04 17000	1	LIQUID LEVEL DEVICES:			
36	STUD	C0809 15991	6	DIAPHRAGM TYPE:			
37	HEX NUT	D08 15991	6	DEWATERING			GRP48-03 1
38	NAME PLATE	2613GH 17020	1	FILLING			GRP48-06 1
39	DRIVE SCREW	BM#04-03 17000	2	FLOAT TYPE - DEW & FILL			27471-180 1
40	STUD	C0607 15991	4	120V LIQ. LVL CONTROL			27521-321 1
41	DEFORM LOCKNUT	DD06 15991	4	ADI KIT:			
42	TERM HSG/CABLE ASSY	47367-079	1	HEX HD CAPSCREW			B1017 17000 6
43	STATOR ASSY: -460V	47113-047	1	SEAL PLATE			38272-525 1
				DIFFUSER			38632-051 1

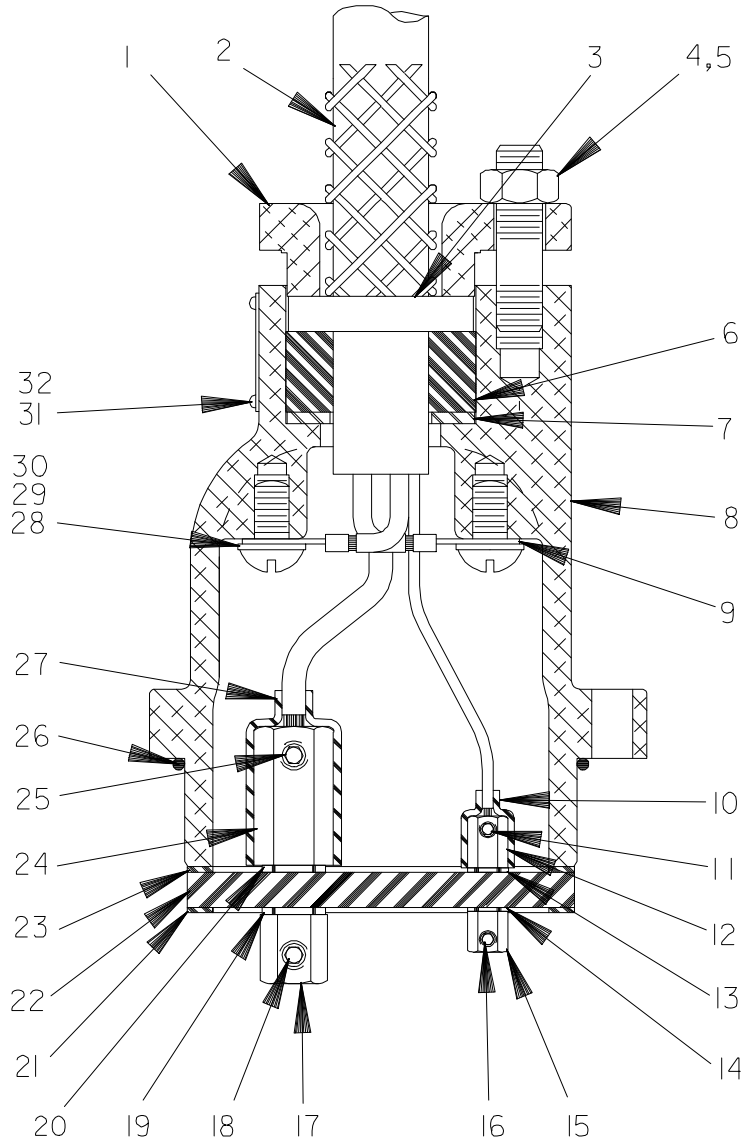
* INDICATES PARTS RECOMMENDED FOR STOCK

GORMAN-RUPP PUMPS

S4J1-E60 460/575/3

S/N 1267896 UP

PUMP ISSUE 4



GORMAN-RUPP PUMPS

June 4, 2003

www.grpumps.com

©2003 Gorman-Rupp Pumps

3 of 4
Page 150.4 J4

Printed in U.S.A.

S4J1–E60 460/575/3

S/N 1267896 UP

PUMP ISSUE 4

47367–079 Terminal Housing And Cable Assembly

If your pump serial number is followed by an “N”, your pump is **NOT** a standard production model. Contact the Gorman-Rupp Company to verify part numbers.

ITEM NO.	PART NAME	PART NUMBER	QTY
1	TERMINAL GLAND	38381–614 13040	1
2	CABLE – 50 FT	47325–006	1
3	CABLE GRIP	11227K	1
4	STUD	C0808 15991	2
5	HEX NUT	D08 15991	2
6	GLAND BUSHING	31143–067 19100	1
7	TERMINAL WASHER	31133–122 15991	1
8	TERMINAL HOUSING	38381–237 13000	1
9	TERMINAL	27214–035	1
10	HEAT SHRINK TUBE	31412–056 19530	2
11	ALLEN HEAD SETSCREW	GA#10–01S 15991	2
12	TERMINAL COLLAR	31811–057 14100	2
13	* DYNA SEAL WASHER	S1590	2
14	* DYNA SEAL WASHER	S1590	2
15	TERMINAL POST	11181 14100	2
16	ALLEN HEAD SETSCREW	GA#10–01S 15991	2
17	TERMINAL POST	38724–009 14100	3
18	ALLEN HEAD SETSCREW	GA0501 -1/2 14990	3
19	* DYNA SEAL WASHER	S1586	3
20	* DYNA SEAL WASHER	S1586	3
21	* TERMINAL PLATE GSKT	38687–529 20000	1
22	TERMINAL PLATE	38711–001 23010	1
23	* TERMINAL PLATE GSKT	38687–529 20000	1
24	TERMINAL COLLAR	10144 14100	3
25	ALLEN HEAD SETSCREW	GA0501- 1/2 14990	3
26	* O-RING	25152–155	1
27	HEAT-SHRINK TUBE	31413–014 19530	3
28	TERMINAL	S1550	1
29	RD HD MACHINE SCREW	X0603 14990	2
30	T TYPE LOCKWASHER	AK06 15991	2
31	DRIVE SCREW	BM#04–03 17000	4
32	INFORMATION PLATE	38816–145 17050	1
NOT SHOWN:			
	RTV SEALANT	18771–106	1 OZ
OPTIONAL:			
	HEAT SHRINK TERMINAL KIT	48315–010	1

* INDICATES PARTS RECOMMENDED FOR STOCK

GORMAN-RUPP PUMPS

**For Warranty Information, Please Visit
www.grpumps.com/warranty
or call:
U.S.: 419-755-1280
Canada: 519-631-2870
International: +1-419-755-1352**

GORMAN-RUPP PUMPS