

ACSU
Use With: OM-04151
MR-04311

PUBLICATION NUMBER PL--04239--02
Pump Issue 2
November 5, 1998



PUMP MODEL
S4F1-E20 460/3
S4F1-E20 575/3

MANUAL
PART 2 of 3

PARTS
LIST
WITH
PERFORMANCE CURVE

THE GORMAN-RUPP COMPANY • MANSFIELD, OHIO

GORMAN-RUPP OF CANADA LIMITED • ST. THOMAS, ONTARIO, CANADA Printed in U.S.A.

www.gormanrupp.com

©Copyright by the Gorman-Rupp Company

PERFORMANCE CURVE – SECTION A

RECORDING MODEL AND SERIAL NUMBERS

Please record the pump model and serial number in the spaces provided below and in the separate Installation/Operation Manual accompanying your pump. Your Gorman-Rupp distributor needs this information when you require parts or service.

Pump Model: _____

Serial Number: _____

WARRANTY INFORMATION

The pump warranty is provided as part of Gorman-Rupp's support program for customers who operate and maintain their equipment as described in this manual and other accompanying literature. Please note that should the equipment be abused or modified to change its performance beyond the original factory specifications, the warranty will become void and any claim will be denied.

PERFORMANCE CURVES

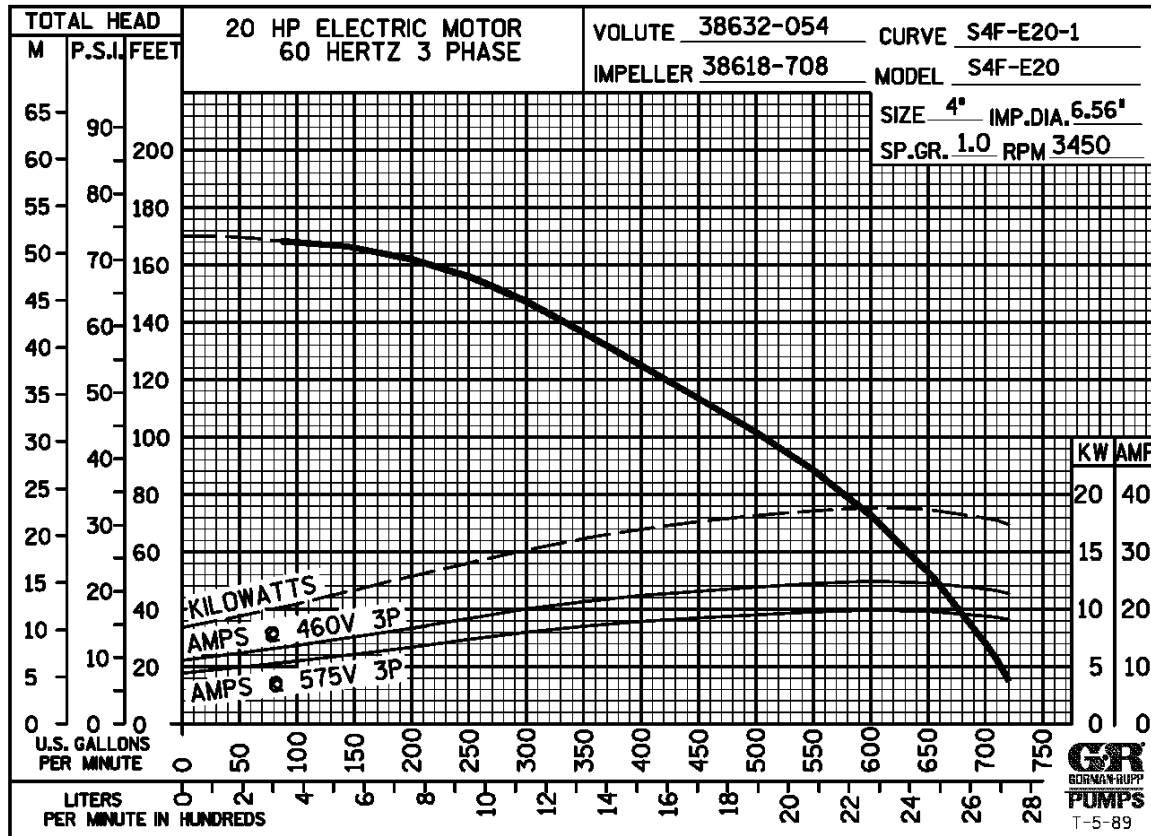
The performance curves on the following page are based on 70° F (21° C) clear water at sea level. Since pump installations are seldom identical, your performance may be different due to such factors as viscosity, specific gravity, elevation, temperature, and impeller trim.

If your pump serial number is followed by an "N", your pump is **NOT** a standard production model. Contact the Gorman-Rupp Company to verify performance or part numbers.

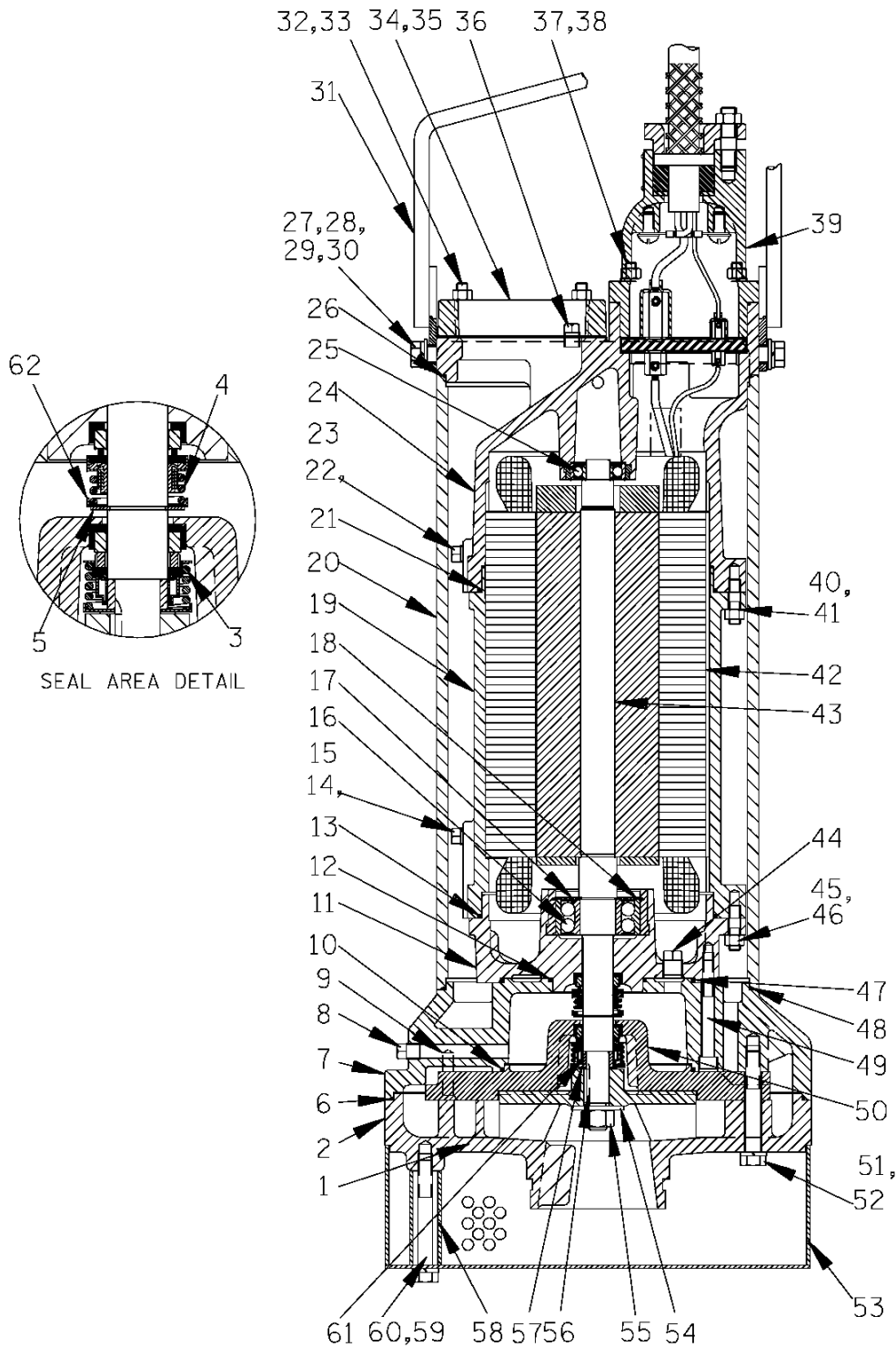


Pump speed and operating condition points must be within the continuous performance range shown on the curve(s).

This Page Intentionally Blank



Performance Curve – Model S4F1-E20 460/575/3



THE GORMAN-RUPP COMPANY • MANSFIELD, OHIO

GORMAN-RUPP OF CANADA LIMITED • ST. THOMAS, ONTARIO, CANADA Printed in U.S.A.

©Copyright by the Gorman-Rupp Company

S4F1 – E20 460/3
S4F1 – E20 575/3

ACSU

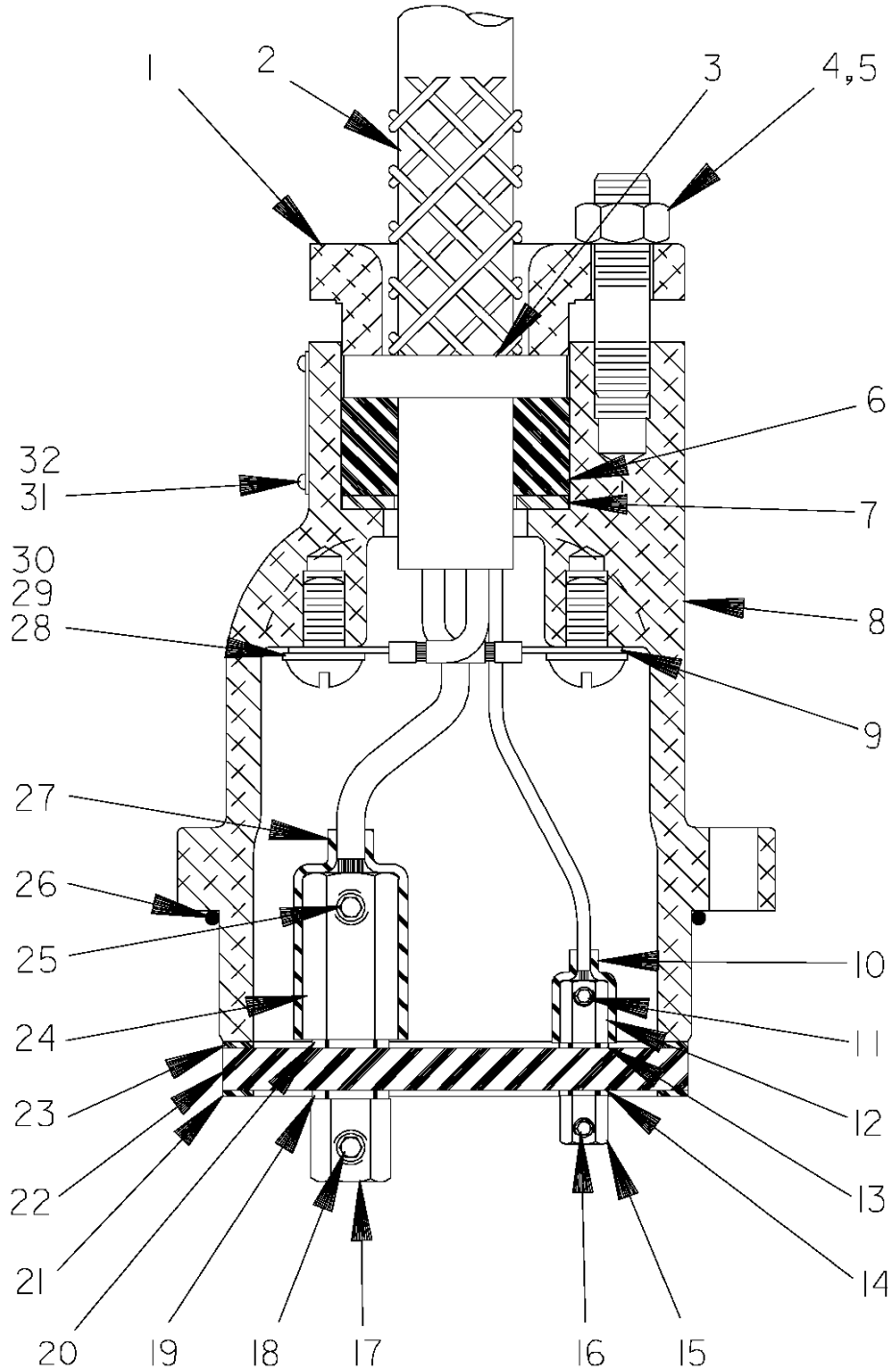
S/N 1247549 Up
PUMP ISSUE 2

If your pump serial number is followed by an "N", your pump is **NOT** a standard production model. Contact the Gorman-Rupp Company to verify part numbers.

ITEM NO.	PART NAME	PART NUMBER	MAT'L CODE	QTY	ITEM NO.	PART NAME	PART NUMBER	MAT'L CODE	QTY
1 *	IMPELLER	38618-708	1102H	1	43 *	ROTOR/SHAFT ASSY	47112-812	---	1
2	DIFFUSER	38632-054	1102H	1	44	PIPE PLUG	P06	15079	1
3 *	LWR SEAL ASSY	46512-057	---	1	45	STUD	C0606	17000	8
4 *	UPR SEAL ASSY	25271-866	---	1	46	DEFORM LOCKNUT	DD06	17000	8
5	RETAINING RING	S362	---	1	47 *	MTR HSG O-RING	25152-259	---	1
6 *	DIFFUSER O-RING	25152-279	---	1	48 *	CASING O-RING	S1830	---	1
7	INTERMEDIATE	38261-029	13000	1	49	SOCK HD CAPSCREW	DM0613	17000	6
8	PIPE PLUG	P04	17000	1	50	SEAL PLATE	38272-352	1102H	1
9	FLAT HD MACH SCRW	Y0405	17000	3	51	HEX HD CAPSCREW	B0814	17000	6
10 *	SEAL PLATE O-RING	25152-259	---	1	52	LOCKWASHER	J08	17000	6
11	LWR MOTOR HSG	38311-055	13000	1	53	STRAINER ASSY	46611-012	2415V	1
12 *	MOTOR HSG O-RING	25152-234	---	1	54	FLAT WASHER	KB10	17000	1
13 *	MOTOR HSG O-RING	25152-265	---	1	55	HEX NUT	D10S	17000	1
14	PIPE PLUG	38649-022	17030	2	56 *	IMPELLER KEY	N0304-1/2	17000	1
15	ALLEN HD CAPSCREW	GA0501 1/4	15990	2	57 *	IMPELLER SHIM SET	2Y	17090	1
16 *	LWR BALL BEARING	23425-457	---	1	58	SUPPORT PIPE	31412-064	15070	3
17	INNER RET RING	S1831	---	1	59	HEX HD CAPSCREW	B0815	15991	3
18	OUTER RET RING	24121-552	---	1	60	LOCKWASHER	J08	15991	3
19 *	MIDDLE MOTOR HSG	38311-047	13000	1	61	IMPELLER SLEEVE	13878	17020	1
20	PUMP CASING	38311-813	13005	1	62	SPRING HOLDER	25273-260	---	1
21 *	MID MTR HSG O-RING	25152-265	---	1	NOT SHOWN:				
22	PIPE PLUG	38649-022	17030	2		DRIVE SCREW	BM#04-03	17000	2
23	ALLEN HD SETSCREW	GA0501-1/4	15990	2		NAME PLATE	2613GH	17020	1
24	UPPER MTR HSG	38311-046	13000	1		HEAT SHRINK TUBING	18763-248	---	.375'
25 *	UPR BALL BEARING	23257-009	---	1		STD CONTROL BOX:			
26 *	CASING O-RING	S1830	---	1		-460V	27515-524	---	1
27	BUSHING	9562	15991	2		-575V	27515-534	---	1
28	HEX HD CAPSCREW	B0804	15991	2		HEATER PACK:			
29	LOCKWASHER	J08	15991	2		-460V	27521-206	---	1
30	FLAT WASHER	KE08	15991	2		-575V	27521-205	---	1
31	HOIST BAIL	11959	2400V	1		IMPELLER PULLER	48711-018	---	1
32	STUD	C0609	15991	4		INSTRUCTION TAG	38817-073	---	1
33	HEX NUT	D06	15991	4		VOLTAGE TAG:			
34	DISCHARGE FLANGE	11957	13040	1		-460V	6588BL	---	1
35 *	FLANGE GASKET	11957G	20000	1		-575V	6588BM	---	1
36	PIPE PLUG	P04	17000	1		OPTIONAL:			
37	STUD	C0607	15991	4		* REPAIR GASKET SET	11000AG	---	1
38	DEFORM LOCKNUT	DD06	15991	4		LIQUID LEVEL DEVICES:			
39	TERMINAL HOUSING & CABLE ASSY	47367-077	---	1		DIAPHRAGM TYPE	GRP48-03 or GRP48-061		
40	STUD	C0606	17000	8		FLOAT TYPE	27471-180	---	1
41	DEFORM LOCKNUT	DD06	17000	8		120V LIQ LVL CONTROL	27521-321	---	1
42	460V STATOR ASSY	47113-822	---	1					
	575V STATOR ASSY	47113-823	---	1					

* INDICATES PARTS RECOMMENDED FOR STOCK

THE GORMAN-RUPP COMPANY • MANSFIELD, OHIO



THE GORMAN-RUPP COMPANY • MANSFIELD, OHIO

GORMAN-RUPP OF CANADA LIMITED • ST. THOMAS, ONTARIO, CANADA Printed in U.S.A.

©Copyright by the Gorman-Rupp Company

S4F1 – E20 460/3
S4F1 – E20 575/3

ACSU

S/N 1247549 Up
PUMP ISSUE 2

Terminal Housing

If your pump serial number is followed by an "N", your pump is **NOT** a standard production model. Contact the Gorman-Rupp Company to verify part numbers.

ITEM NO.	PART NAME	PART NUMBER	MAT'L CODE	QTY
1	TERMINAL GLAND	11367	13040	1
2	* CABLE – 50 FT	47325–005	---	1
3	* CABLE GRIP	11227L	---	1
4	STUD	C0808	15991	2
5	HEX NUT	D08	15991	2
6	GLAND BUSHING	10758K	19100	1
7	TERMINAL WASHER	10659	15991	1
8	TERMINAL HOUSING	38381–237	13000	1
9	TERMINAL	27214–035	---	1
10	HEAT SHRINK TUBE	31412–056	19530	2
11	ALLEN HEAD SETSCREW	GA#10–01S	15991	2
12	TERMINAL COLLAR	31811–057	14100	2
13	* DYNA SEAL WASHER	S1590	---	2
14	* DYNA SEAL WASHER	S1590	---	2
15	TERMINAL POST	11181	14100	2
16	ALLEN HEAD SETSCREW	GA#10–01S	15991	2
17	TERMINAL POST	38724–009	14100	3
18	ALLEN HEAD SETSCREW	GA0501 -1/2	14990	3
19	* DYNA SEAL WASHER	S1586	---	3
20	* DYNA SEAL WASHER	S1586	---	3
21	* TERMINAL PLATE GSKT	38687–529	20000	1
22	* TERMINAL PLATE	38711–001	23010	1
23	* TERMINAL PLATE GSKT	38687–529	20000	1
24	TERMINAL COLLAR	10144	14100	3
25	ALLEN HEAD SETSCREW	GA0501- 1/2	14990	3
26	* O-RING	25152–155	---	1
27	HEAT-SHRINK TUBE	31413–014	19530	3
28	TERMINAL	S1550	---	1
29	RD HD MACHINE SCREW	X0603	14990	2
30	T TYPE LOCKWASHER	AK06	15991	2
31	DRIVE SCREW	BM#04–03	17000	4
32	INFORMATION PLATE	38816–145	17050	1

NOT SHOWN:

RTV SEALANT 18771–106 --- 1 OZ

OPTIONAL:

HEAT SHRINK TERMINAL KIT 48315–010 --- 1

* INDICATES PARTS RECOMMENDED FOR STOCK

THE GORMAN-RUPP COMPANY • MANSFIELD, OHIO

**For U.S. and International Warranty Information,
Please Visit www.grpumps.com/warranty**

or call:

U.S.: 419-755-1280

International: +1-419-755-1352

**For Canadian Warranty Information,
Please Visit www.grcanada.com/warranty**

or call:

519-631-2870

THE GORMAN-RUPP COMPANY • MANSFIELD, OHIO

GORMAN-RUPP OF CANADA LIMITED • ST. THOMAS, ONTARIO, CANADA