



PUMP MODELS
S4E1-E20 460/3
S4E1-E20 575/3

MANUAL
PART 2 of 3

PARTS
LIST
WITH
PERFORMANCE CURVE

THE GORMAN-RUPP COMPANY • MANSFIELD, OHIO

GORMAN-RUPP OF CANADA LIMITED • ST. THOMAS, ONTARIO, CANADA Printed in U.S.A.

©Copyright by the Gorman-Rupp Company

PERFORMANCE CURVE – SECTION A

RECORDING MODEL AND SERIAL NUMBERS

Please record the pump model and serial number in the spaces provided below and in the separate Installation/Operation Manual accompanying your pump. Your Gorman-Rupp distributor needs this information when you require parts or service.

Pump Model: _____

Serial Number: _____

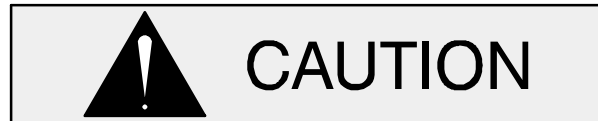
WARRANTY INFORMATION

The pump warranty is provided as part of Gorman-Rupp's support program for customers who operate and maintain their equipment as described in this manual and other accompanying literature. Please note that should the equipment be abused or modified to change its performance beyond the original factory specifications, the warranty will become void and any claim will be denied.

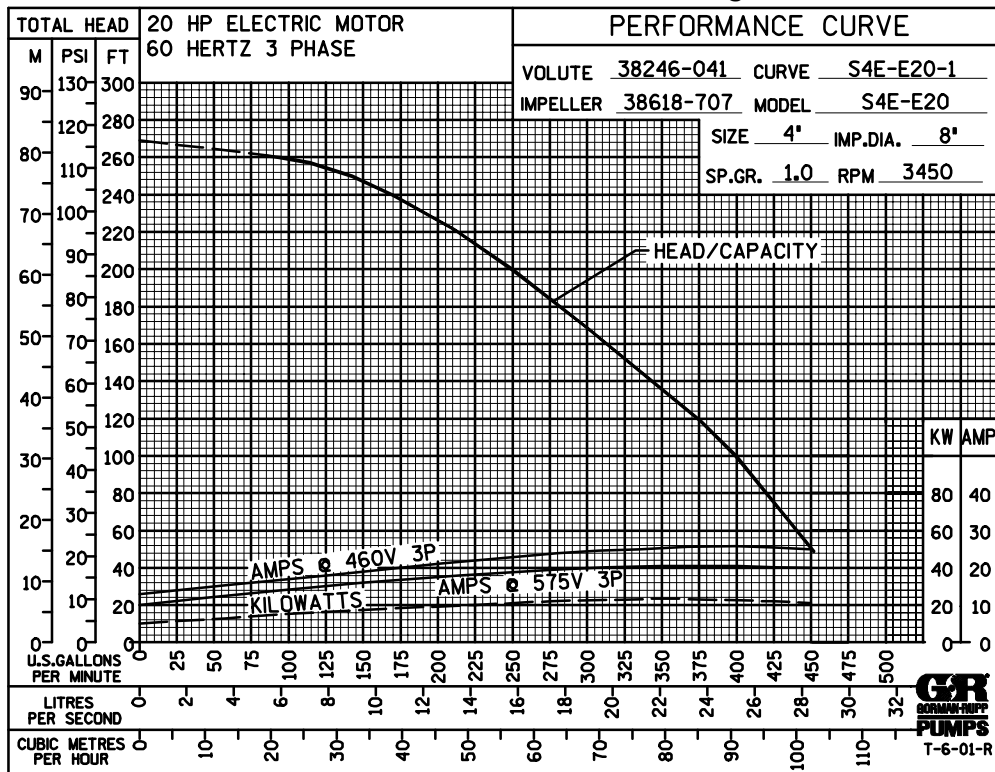
PERFORMANCE CURVES

The performance curve below is based on 70° F (21° C) clear water at sea level. Since pump installations are seldom identical, your performance may be different due to such factors as viscosity, specific gravity, elevation, temperature, and impeller trim.

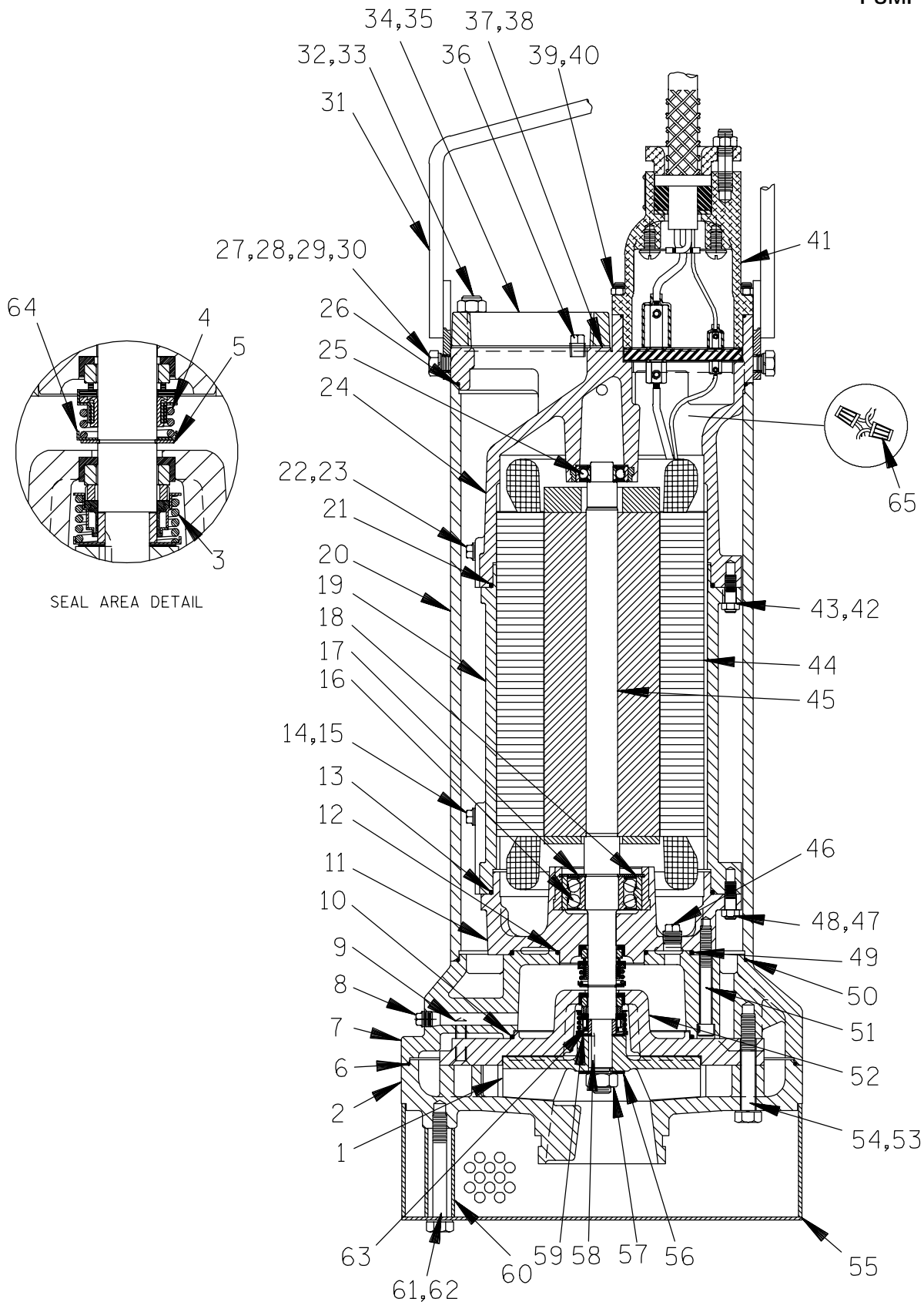
If your pump serial number is followed by an "N", your pump is **NOT** a standard production model. Contact the Gorman-Rupp Company to verify performance or part numbers.



Pump speed and operating condition points must be within the continuous performance range shown on the curve(s).



Performance Curve – Models S4E1-E20 460/3 And S4E1-E20 575/3



THE GORMAN-RUPP COMPANY • MANSFIELD, OHIO

GORMAN-RUPP OF CANADA LIMITED • ST. THOMAS, ONTARIO, CANADA

Printed in U.S.A.

S4E1-E20 460/3
S4E1-E20 575/3

AC

S/N 1167384 Up
PUMP ISSUE 2

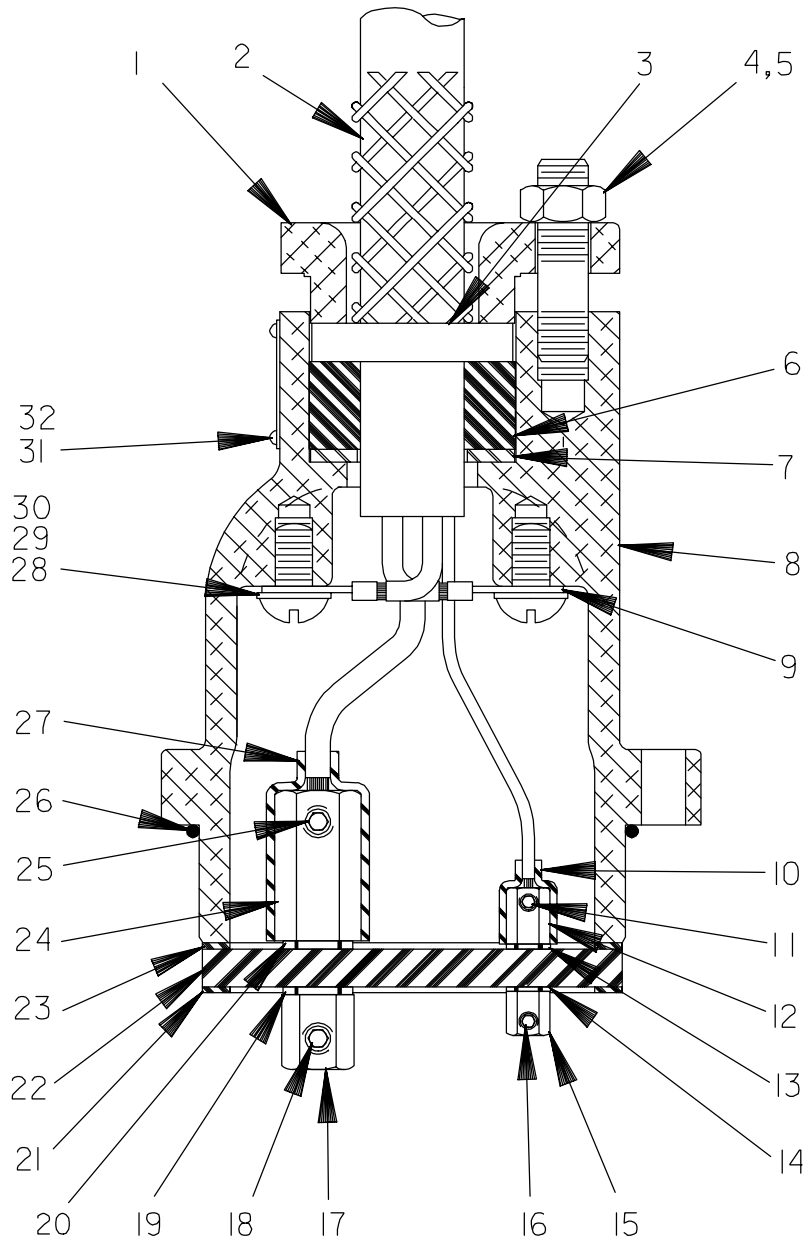
If your pump serial number is followed by an "N", your pump is **NOT** a standard production model. Contact the Gorman-Rupp Company to verify part numbers.

ITEM NO.	PART NAME	PART NUMBER	MAT'L CODE	QTY	ITEM NO.	PART NAME	PART NUMBER	MAT'L CODE	QTY
1 *	IMPELLER	38618-707	1102H	1	43	DEFORM LOCKNUT	DD06	17000	8
2	DIFFUSER	38632-053	1102H	1	44	460V STATOR ASSY	47113-822	---	1
3 *	LWR SEAL ASSY	46512-057	---	1		575V STATOR ASSY	47113-823	---	1
4 *	UPR SEAL ASSY	25271-866	---	1	45 *	ROTOR/SHAFT ASSY	47112-812	---	1
5	RETAINING RING	S362	---	1	46	PIPE PLUG	P06	15079	1
6 *	DIFFUSER O-RING	25152-279	---	1	47	STUD	C0606	17000	8
7	INTERMEDIATE	38261-029	13000	1	48	DEFORM LOCKNUT	DD06	17000	8
8	PIPE PLUG	P04	17000	1	49 *	MTR HSG O-RING	25152-259	---	1
9	FLAT HD MACH SCRWB	Y0405	17000	3	50 *	CASING O-RING	S1830	---	1
10 *	SEAL PLATE O-RING	25152-259	---	1	51	SOCK HD CAPSCREW	DM0613	17000	6
11	LWR MOTOR HSG	38311-055	13000	1	52	SEAL PLATE	38272-353	1102H	1
12 *	MOTOR HSG O-RING	25152-234	---	1	53	HEX HD CAPSCREW	B0812	17000	6
13 *	MOTOR HSG O-RING	25152-265	---	1	54	LOCKWASHER	J08	17000	6
14	PIPE PLUG	38649-022	17030	2	55	STRAINER ASSY	46611-012	2415V	1
15	ALLEN HD CAPSCREW	GA0501-1/4	15990	2	56	FLAT WASHER	KB10	17000	1
16 *	LWR BALL BEARING	23425-457	---	1	57	HEX NUT	D10S	17000	1
17	INNER RET RING	S1831	---	1	58 *	IMPELLER KEY	N0304-1/2	17000	1
18	OUTER RET RING	24121-552	---	1	59 *	IMPELLER SHIM SET	2Y	17090	1
19	MIDDLE MOTOR HSG	38311-047	13000	1	60	SUPPORT PIPE	31412-064	15070	3
20	PUMP CASING	38311-813	13005	1	61	HEX HD CAPSCREW	B0815	15991	3
21 *	MID MTR HSG O-RING	25152-265	---	1	62	LOCKWASHER	J08	15991	3
22	PIPE PLUG	38649-022	17030	2	63	IMPELLER SLEEVE	13878	17020	1
23	ALLEN HD SETSCREW	GA0501-1/4	15990	2	64	SPRING HOLDER	25273-260	---	1
24	UPPER MTR HSG	38311-046	13000	1	65	CONNECTOR	DOES NOT APPLY		
25 *	UPR BALL BEARING	23257-009	---	1		NOT SHOWN:			
26 *	CASING O-RING	S1830	---	1		IMPELLER PULLER	48711-018	---	1
27	BUSHING	9562	15991	2		VOLTAGE TAG:			
28	HEX HD CAPSCREW	B0804	15991	2		- 460V	6588BL	---	1
29	LOCKWASHER	J08	15991	2		- 575V	6588BM	---	1
30	FLAT WASHER	KE08	15991	2		STD CONTROL BOX:			
31	HOIST BAIL	11959	2400V	1		- 460V	27515-524	---	1
32	STUD	C0609	15991	4		- 575V	27515-534	---	1
33	HEX NUT	D06	15991	4		HEATER PACK:			
34	DISCHARGE FLANGE	11957	13040	1		- 460V	27521-206	---	1
35 *	FLANGE GASKET	11957G	20000	1		- 575V	27521-205	---	1
36	PIPE PLUG	P04	17000	1		OPTIONAL:			
37	NAME PLATE	2613GH	17020	1		* REPAIR GASKET SET	11000AG	---	1
38	DRIVE SCREW	BM#04-03	17000	2		LIQUID LEVEL DEVICES:			
39	STUD	C0607	15991	4		DIAPHRAGM TYPE	GRP48-03 or GRP48-061		
40	DEFORM LOCKNUT	DD06	15991	4		FLOAT TYPE	27471-155	---	1
41	TERMINAL HOUSING & CABLE ASSY	47367-077	---	1		120V LIQ LVL CONTROL	27521-321	---	1
42	STUD	C0606	17000	8					

* INDICATES PARTS RECOMMENDED FOR STOCK

THE GORMAN-RUPP COMPANY • MANSFIELD, OHIO

GORMAN-RUPP OF CANADA LIMITED • ST. THOMAS, ONTARIO, CANADA Printed in U.S.A.



S/N 1167384 Up
PUMP ISSUE 2

Terminal Housing

If your pump serial number is followed by an "N", your pump is **NOT** a standard production model. Contact the Gorman-Rupp Company to verify part numbers.

ITEM NO.	PART NAME	PART NUMBER	MAT'L CODE	QTY
1	TERMINAL GLAND	11367	13040	1
2	* CABLE – 50 FT	47325–005	---	1
3	* CABLE GRIP	11227L	---	1
4	STUD	C0808	15991	2
5	HEX NUT	D08	15991	2
6	GLAND BUSHING	10758K	19100	1
7	TERMINAL WASHER	10659	15991	1
8	TERMINAL HOUSING	38381–237	13000	1
9	TERMINAL	27214–035	---	1
10	HEAT SHRINK TUBE	31412–056	19530	2
11	ALLEN HEAD SETSCREW	GA#10–01S	15991	2
12	TERMINAL COLLAR	31811–057	14100	2
13	* DYNA SEAL WASHER	S1590	---	2
14	* DYNA SEAL WASHER	S1590	---	2
15	TERMINAL POST	11181	14100	2
16	ALLEN HEAD SETSCREW	GA#10–01S	15991	2
17	TERMINAL POST	38724–009	14100	3
18	ALLEN HEAD SETSCREW	GA0501 -1/2	14990	3
19	* DYNA SEAL WASHER	S1586	---	3
20	* DYNA SEAL WASHER	S1586	---	3
21	* TERMINAL PLATE GSKT	38687–529	20000	1
22	* TERMINAL PLATE	38711–001	23010	1
23	* TERMINAL PLATE GSKT	38687–529	20000	1
24	TERMINAL COLLAR	10144	14100	3
25	ALLEN HEAD SETSCREW	GA0501- 1/2	14990	3
26	* O-RING	25152–155	---	1
27	HEAT-SHRINK TUBE	31413–014	19530	3
28	TERMINAL	S1550	---	1
29	RD HD MACHINE SCREW	X0603	14990	2
30	T TYPE LOCKWASHER	AK06	15991	2
31	DRIVE SCREW	BM#04–03	17000	4
32	INFORMATION PLATE	38816–145	17050	1

NOT SHOWN:

1 TUBE RTV SEALANT 18771–106 --- 2

OPTIONAL:

HEAT SHRINK TERMINAL KIT 48315–010 --- 1

* INDICATES PARTS RECOMMENDED FOR STOCK

THE GORMAN-RUPP COMPANY • MANSFIELD, OHIO

GORMAN-RUPP OF CANADA LIMITED • ST. THOMAS, ONTARIO, CANADA Printed in U.S.A.

**For U.S. and International Warranty Information,
Please Visit www.grpumps.com/warranty
or call:
U.S.: 419-755-1280
International: +1-419-755-1352**

**For Canadian Warranty Information,
Please Visit www.grcanada.com/warranty
or call:
519-631-2870**