

ACU

Use With: OM--04151  
MR--04280

PUBLICATION NUMBER PL--04241--02  
July 10, 2001  
Rev. B 01-20-04



## PUMP MODELS

S2F1-E1 115/1, S2F1-E1 230/1

S2F1-E1 200/3, S2F1-E1 230/3

S2F1-E1 460/3, S2F1-E1 575/3

**MANUAL  
PART 2 of 3**

**PARTS  
LIST**

**WITH  
PERFORMANCE CURVE**

THE GORMAN-RUPP COMPANY • MANSFIELD, OHIO

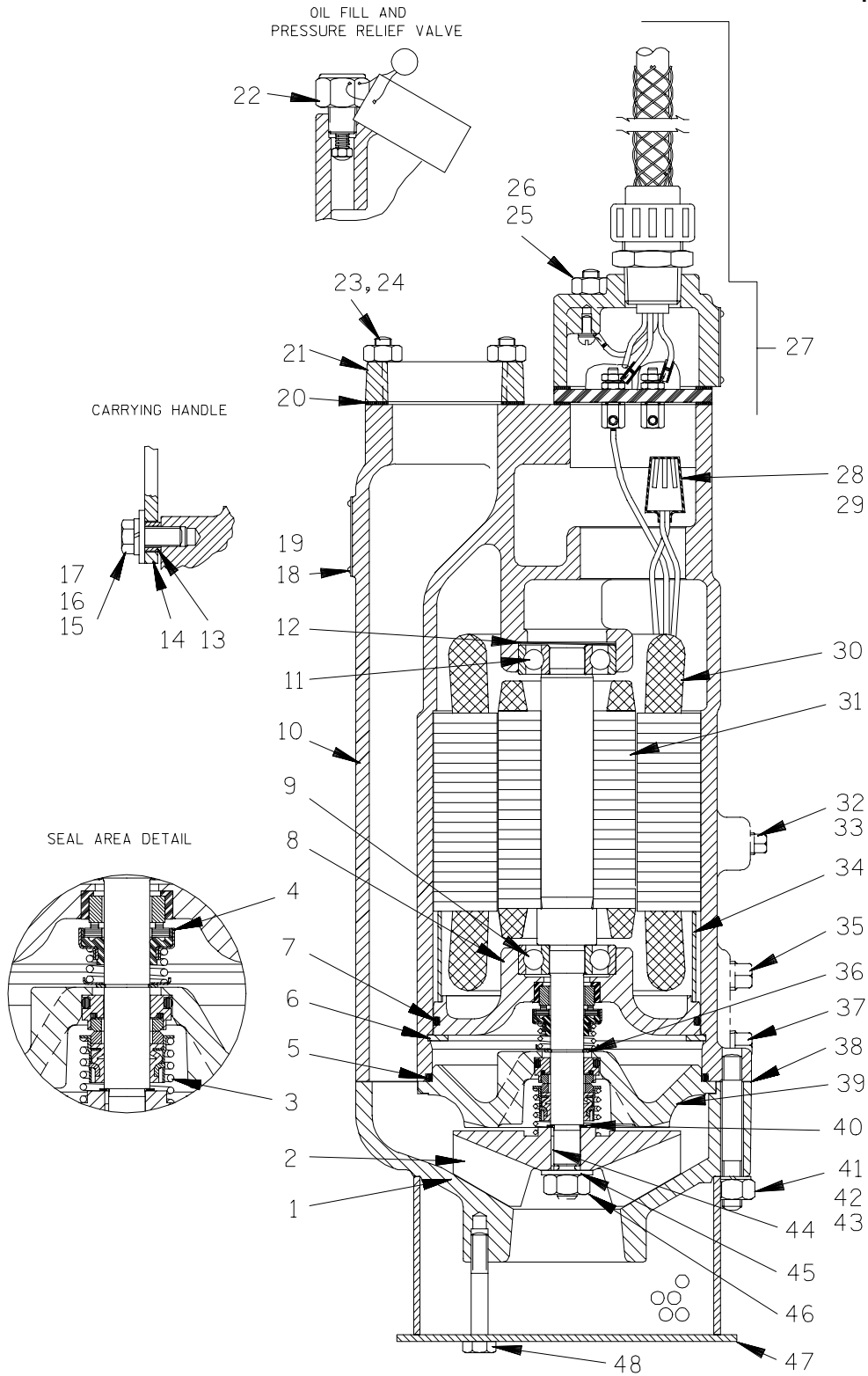
GORMAN-RUPP OF CANADA LIMITED • ST. THOMAS, ONTARIO, CANADA Printed in U.S.A.

©Copyright by the Gorman-Rupp Company



S2F1-E1 115/1, S2F1-E1 230/1,  
S2F1-E1 200/3, S2F1-E1 230/3,  
S2F1-E1 460/3, S2F1-E1 575/3

S/N 1225729 Up  
PUMP ISSUE 2



**THE GORMAN-RUPP COMPANY • MANSFIELD, OHIO**

**S2F1-E1 115/1, S2F1-E1 230/1,  
S2F1-E1 200/3, S2F1-E1 230/3,  
S2F1-E1 460/3, S2F1-E1 575/3**

ACU

**S/N 1225729 Up  
PUMP ISSUE 2**

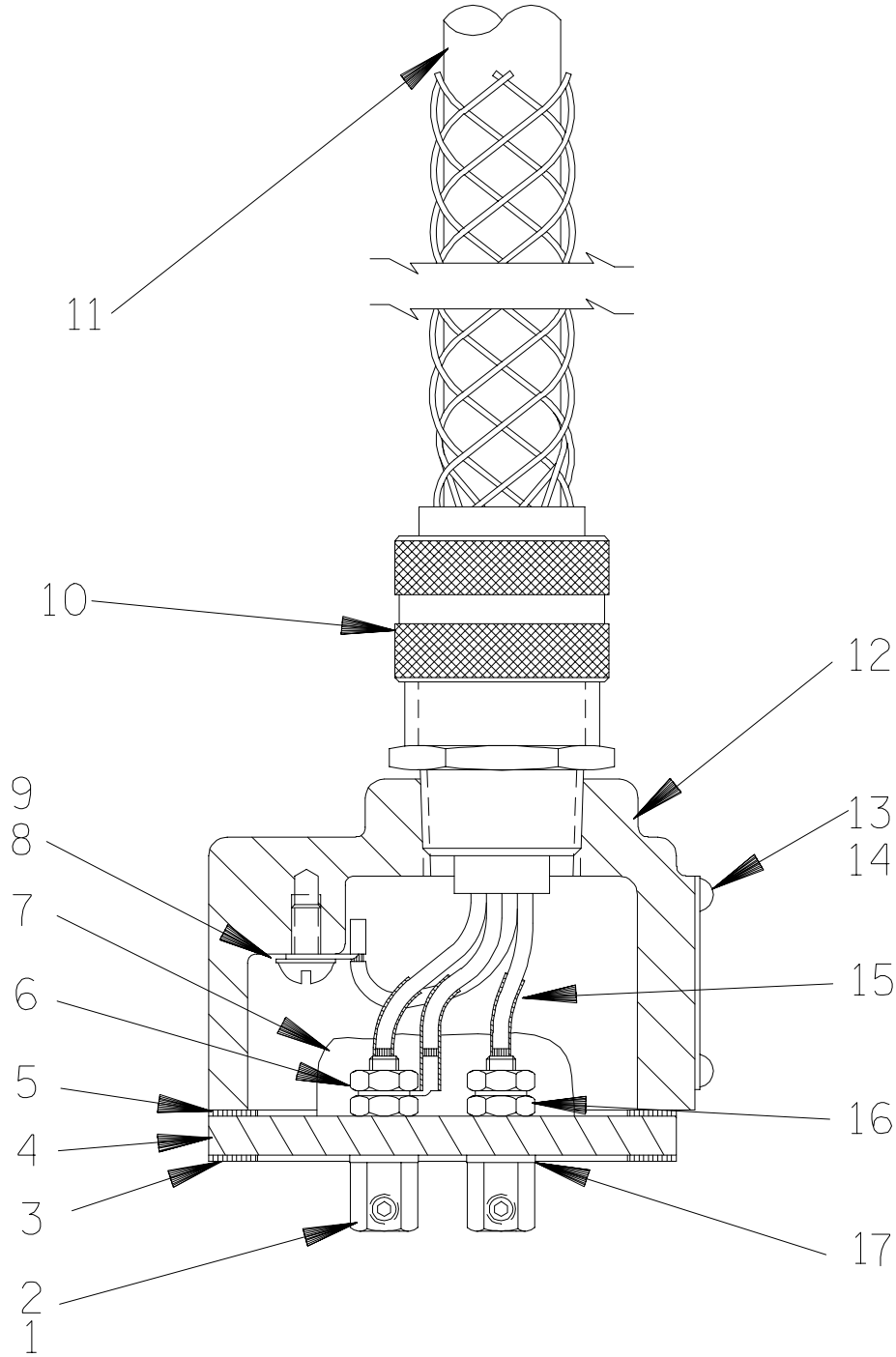
If your pump serial number is followed by an "N", your pump is **NOT** a standard production model. Contact the Gorman-Rupp Company to verify part numbers.

ITEM NO.	PART NAME	PART NUMBER	MAT'L CODE	QTY	ITEM NO.	PART NAME	PART NUMBER	MAT'L CODE	QTY
1	SUCTION CASING	38222-434	1101H	1	38 *	SUCT CASING GSKT	38674-807	20000	1
2 *	IMPELLER	38614-711	1101H	1	39	SEAL PLATE	38272-830	10010	1
3 *	LOWER SEAL ASSY	46512-036	---	1	40 *	IMP ADJ SHIM SET	669	14990	1
4 *	UPPER SEAL ASSY	25271-824	---	1	41	STUD	C0609	17000	4
5 *	SEAL PLATE O-RING	25152-250	---	1	42	LOCK WASHER	J06	17000	4
6	RETAINING RING	24121-077	---	1	43	HEX NUT	D06	17000	4
7 *	INTERMEDIATE O-RING	25152-248	---	1	44 *	IMPELLER KEY	N0202-1/2	17000	1
8	INTERMEDIATE BRACKET	38261-015	13040	1	45	FLAT WASHER	21161-808	---	1
9 *	LOWER BALL BEARING	S1512	---	1	46	IMPELLER NUT	D06	17000	1
10	MOTOR HOUSING	38311-050	13000	1	47 *	STRAINER ASSY	46611-013	2415V	1
11 *	UPPER BALL BEARING	S1512	---	1	48	NYLOCK CAPSCREW	BT0506	15991	4
12	BRG SPRING WASHER	S1554	---	1	NOT SHOWN:				
13 *	BAIL BUSHING	10194	15071	2		CABLE TIE	27111-212	---	1
14	HOIST BAIL	10185A	1502V	1		SUB. PUMP OIL	9568	---	1
15	HEX HD CAPSCREW	B0604	15991	2		DRIVE SCREW	BM#04-03	17000	4
16	FLAT WASHER	K06	15991	2		MOTOR WIRING PLATE			
17	LOCK WASHER	J06	15991	2		- 115/230V 1P	38816-184	17000	1
18	NAME PLATE	38814-055	17000	1		- 200/230/460V 3P	10436	17000	1
19	DRIVE SCREW	BM#04-03	17000	4		MOTOR VOLTAGE TAG			
20 *	DISCH FLANGE GSKT	10195G	20000	1		- 115V 1P	38816-185	---	1
21	DISCHARGE FLANGE	10195	13040	1		- 230V 1P	38816-186	---	1
22 *	RELIEF VALVE ASSY	46431-608	---	1		- 200V 3P	38816-200	---	1
23	STUD	C0506	15991	4		- 230V 3P	38816-094	---	1
24	HEX NUT	D05	15991	4		- 460V 3P	38816-093	---	1
25	STUD	C0511	15991	4		- 575V 3P	38816-128	---	1
26	HEX NUT	D05	15991	4		CONTROL BOX			
27	TERM HSG/CABLE ASSY	47367-051	---	1		- 115V 1P	27511-101	---	1
28	CONNECTOR					- 230V 1P	27511-102	---	1
	- 115V 1P	NOT REQUIRED				- 200V 3P	27515-561	---	1
	- 230V 1P	27284-021	---	2		- 230V 3P	27515-561	---	1
	- 200V 3P	NOT REQUIRED				- 460V 3P	27515-561	---	1
	- 230V 3P	27284-021	---	1		- 575V 3P	27515-565	---	1
	- 460V 3P	27284-021	---	3		HEATER PACK			
	- 575V 3P	NOT REQUIRED				- 115V 1P	NOT REQUIRED		
29 *	HEAT-SHRINK TUBE					- 230V 1P	NOT REQUIRED		
	- 115V 1P	NOT REQUIRED				- 200V 3P	27521-201	---	1
	- 230V 1P	31411-340	19450	2		- 230V 3P	27521-201	---	1
	- 200V 3P	NOT REQUIRED				- 460V 3P	27521-219	---	1
	- 230V 3P	31411-340	19450	1		- 575V 3P	27521-222	---	1
	- 460V 3P	31411-340	19450	3		OPTIONAL:			
	- 575V 3P	NOT REQUIRED				* REPAIR GASKET SET	11000T	---	1
30	STATOR					STAGING ADAPTOR KIT	48272-002	---	1
	- 115V 1P AND 230V 1P	47113-841	---	1		LIQUID LEVEL DEVICES:			
	- 200V 3P	47113-839	---	1		- DIAPHRAGM TYPE	GRP48-03 or GRP48-06	1	
	- 230V 3P AND 460V 3P	47113-825	---	1		- FLOAT TYPE	27471-180	---	1
	- 575V 3P	47113-826	---	1		120V LIQUID LEVEL CONTROL			
31 *	ROTOR W/SHAFT ASSY	47112-814	---	1		- 115V 1P	27521-323	---	1
32	ALLEN HD SETSCREW	GA0501-1/4	15990	1		- 230V 1P	47631-070	---	1
33	PIPE PLUG	P02	17000	1		- 200V 3P	27521-322	---	1
34	MOTOR BUSHING	31173-018	23010	1		- 230/460V 3P	47631-136	---	1
35	PIPE PLUG	P04	17000	1		- 575V 3P	47631-072	---	1
36	SEAL SNAP RING	S668	---	1					
37	SEAL CVTY DRAIN PLUG	P04	17000	1					

\* INDICATES PARTS RECOMMENDED FOR STOCK

**THE GORMAN-RUPP COMPANY • MANSFIELD, OHIO**

GORMAN-RUPP OF CANADA LIMITED • ST. THOMAS, ONTARIO, CANADA Printed in U.S.A.



S2F1-E1 115/1, S2F1-E1 230/1,  
 S2F1-E1 200/3, S2F1-E1 230/3,  
 S2F1-E1 460/3, S2F1-E1 575/3

ACU

S/N 1225729 Up  
 PUMP ISSUE 2

### Terminal Housing

If your pump serial number is followed by an "N", your pump is **NOT** a standard production model. Contact the Gorman-Rupp Company to verify part numbers.

ITEM NO.	PART NAME	PART NUMBER	MAT'L CODE	QTY
1	TERMINAL	11181	14100	3
2	ALLEN HD SETSCREW	GA#10-01S	15991	3
3	* LOWER FLANGE GASKET	10195G	20000	1
4	TERMINAL PLATE	38713-007	23010	1
5	* UPPER FLANGE GASKET	10195G	20000	1
6	HEX NUT	D#10	14990	3
7	1 OZ RTV SEALANT	18771-106	---	1
8	ROUND HEAD MACUHINE SCREW	X#10-01 1/2	14990	1
9	T TYPE LOCK WASHER	AK#10	15991	1
10	CABLE GRIP	S1553	---	1
11	* CABLE ASSEMBLY	10551A	---	1
12	TERMINAL HOUSING	38381-224	13040	1
13	DRIVE SCREW	BM#04-03	17000	4
14	INFORMATION PLATE	38816-047	17990	1
15	* HEAT-SHRINK TUBE	31411-203	19530	3
16	HEX NUT	D#10	14990	3
17	* DYNA-SEAL WASHER	S1590	---	3
OPTIONAL:				
	HEAT SHRINK TERMINAL KIT	48315-008	---	1

\* INDICATES PARTS RECOMMENDED FOR STOCK

**THE GORMAN-RUPP COMPANY • MANSFIELD, OHIO**

**For U.S. and International Warranty Information,  
Please Visit [www.grpumps.com/warranty](http://www.grpumps.com/warranty)  
or call:  
U.S.: 419-755-1280  
International: +1-419-755-1352**

**For Canadian Warranty Information,  
Please Visit [www.grcanada.com/warranty](http://www.grcanada.com/warranty)  
or call:  
519-631-2870**