

AC

Use With: OM-04151
MR-04280

PUBLICATION NUMBER PL-04281-05
APRIL 11, 2022



PUMP MODEL S2B1 115V 1P

**MANUAL
PART 2 of 3**

**PARTS
LIST
WITH
PERFORMANCE CURVE**

THE GORMAN-RUPP COMPANY • MANSFIELD, OHIO

GORMAN-RUPP OF CANADA LIMITED • ST. THOMAS, ONTARIO, CANADA Printed in U.S.A.

www.grpumps.com

©2022 The Gorman-Rupp Company

PERFORMANCE CURVE – SECTION A

RECORDING MODEL AND SERIAL NUMBERS

Please record the pump model and serial number in the spaces provided below and in the separate Installation/Operation Manual accompanying your pump. Your Gorman-Rupp distributor needs this information when you require parts or service.

Pump Model: _____

Serial Number: _____

WARRANTY INFORMATION

The pump warranty is provided as part of Gorman-Rupp's support program for customers who operate and maintain their equipment as described in this manual and other accompanying literature. Please note that should the equipment be abused or modified to change its performance beyond the original factory specifications, the warranty will become void and any claim will be denied.

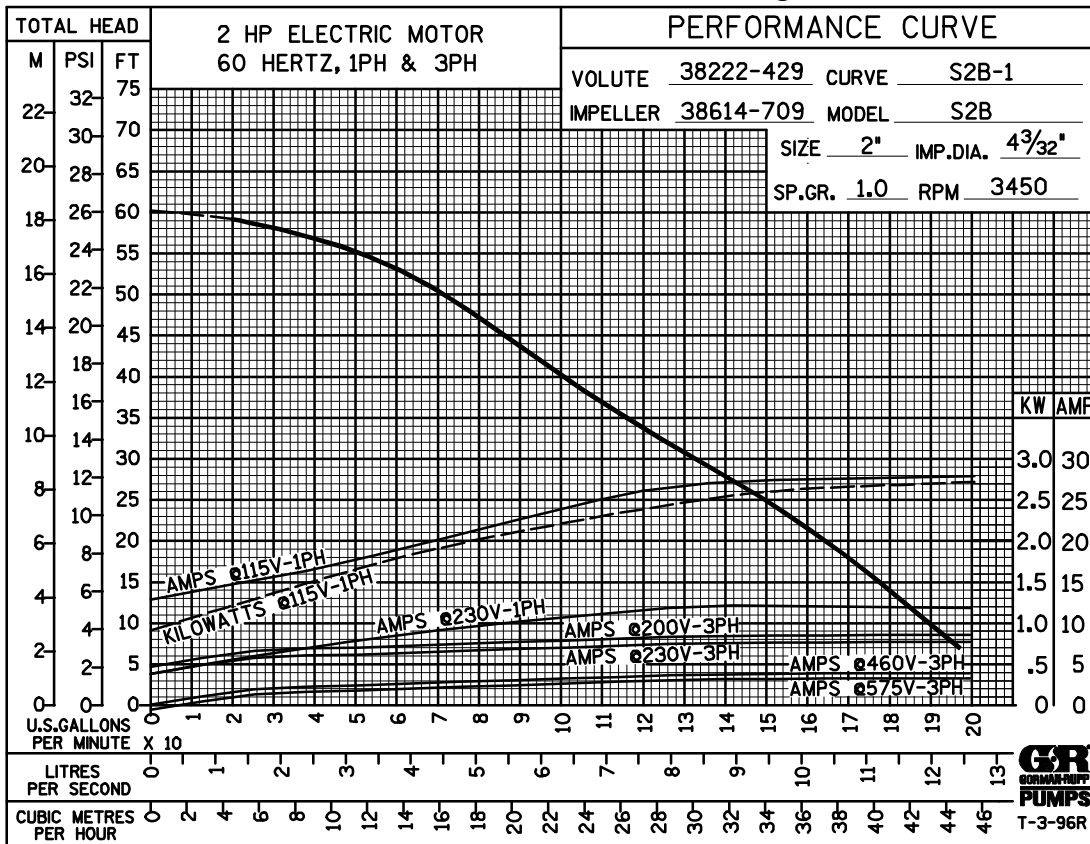
PERFORMANCE CURVES

The performance curves on the following page are based on 70° F (21° C) clear water at sea level. Since pump installations are seldom identical, your performance may be different due to such factors as viscosity, specific gravity, elevation, temperature, and impeller trim.

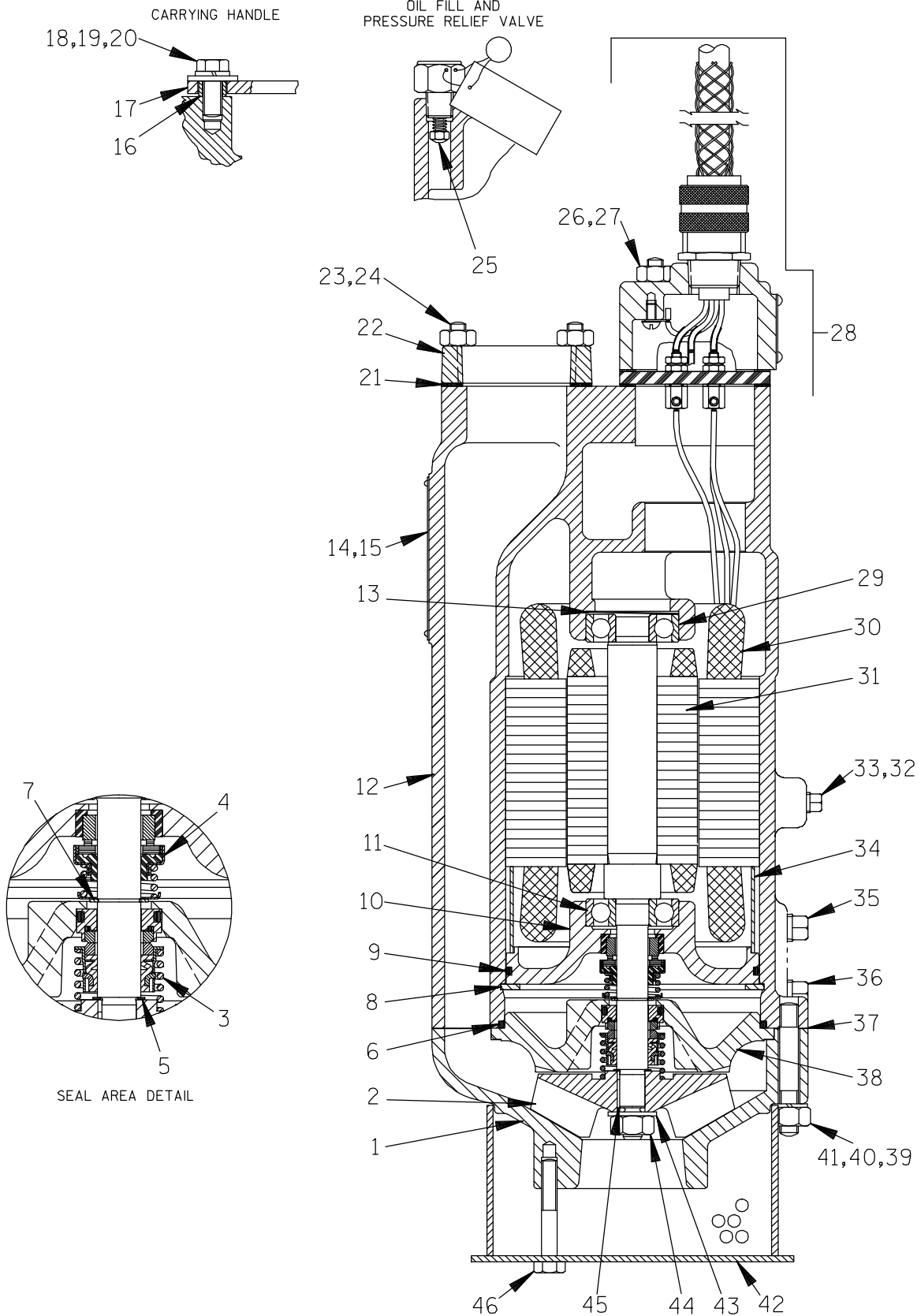
If your pump serial number is followed by an "N", your pump is **NOT** a standard production model. Contact the Gorman-Rupp Company to verify performance or part numbers.



Pump speed and operating condition points must be within the continuous performance range shown on the curve(s).



Performance Curve – Models S2B1 115V 1P



THE GORMAN-RUPP COMPANY • MANSFIELD, OHIO

GORMAN-RUPP OF CANADA LIMITED • ST. THOMAS, ONTARIO, CANADA

Printed in U.S.A.

**S/N 1766590 Up
PUMP ISSUE 5**

If your pump serial number is followed by an "N", your pump is **NOT** a standard production model. Contact the Gorman-Rupp Company to verify part numbers.

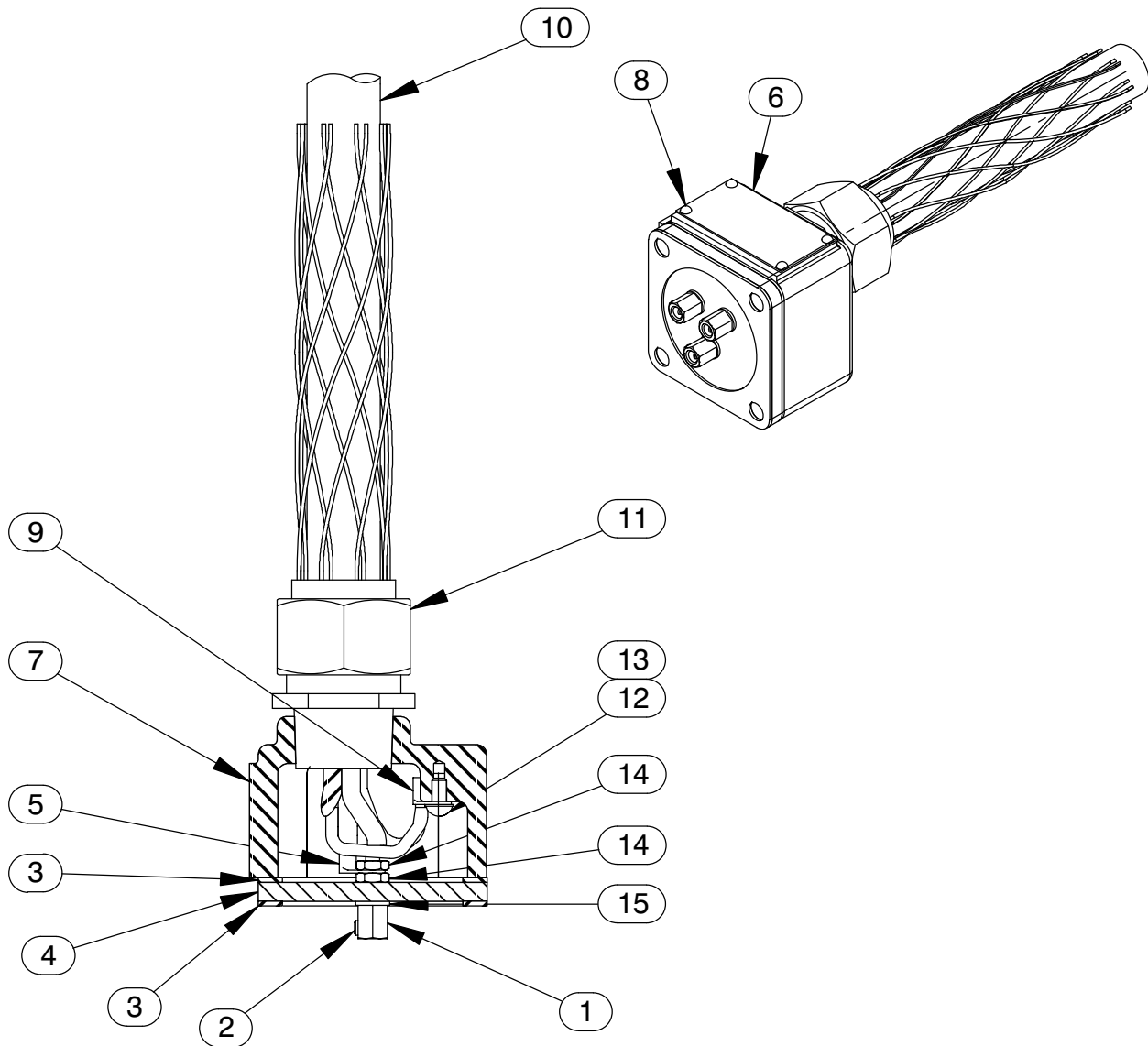
ITEM NO.	PART NAME	PART NUMBER	QTY	ITEM NO.	PART NAME	PART NUMBER	QTY
1	SUCTION CASING	38222-429 10010	1	32	PIPE PLUG	P02 17000	1
2 *	IMPELLER	38614-709 14160	1	33	ALLEN HD SETSCREW	GA0501-1/4 15990	1
3 *	LOWER SEAL ASSY	46512-036	1	34	MOTOR BUSHING	31173-018 23010	1
4 *	UPPER SEAL ASSY	25271-824	1	35	PIPE PLUG	P04 17000	1
5 *	IMP ADJ SHIM SET	669 14990	1	36	SEAL CVTY DRAIN PLUG	P04 17000	1
6 *	SEAL PLATE O-RING	25152-250	1	37 *	CASING GSKT	38674-807 20000	1
7	SEAL SNAP RING	S668	1	38	SEAL PLATE	38272-830 10010	1
8	RETAINING RING	24121-077	1	39	STUD	C0610 17000	4
9 *	INTERMEDIATE O-RING	25152-248	1	40	HEX NUT	D06 17000	4
10	INTERMEDIATE BRACKET	38261-015 13040	1	41	LOCKWASHER	J06 17000	4
11 *	LOWER BALL BEARING	S1512	1	42 *	STRAINER ASSY	46611-004 2415V	1
12	MOTOR HOUSING	38311-016 13040	1	43	FLAT WASHER	21161-808	1
13	BRG SPRING WASHER	S1554	1	44	IMPELLER NUT	D06 17000	1
14	NAME PLATE	38814-055 17000	1	45 *	IMPELLER KEY	N0202-1/2 17000	1
15	DRIVE SCREW	BM#04-03 17000	4	46	NYLOCK CAPSCREW	BT0508 15991	4
16 *	BAIL BUSHING	10194 15071	2	NOT SHOWN:			
17	HOIST BAIL	10185A 1502V	1		CONTROL BOX	27511-104	1
18	HEX HD CAPSCREW	B0604 15991	2		SUB. PUMP OIL	9568	1
19	LOCKWASHER	J06 15991	2		MOTOR VOLTAGE TAG	38816-127	1
20	FLAT WASHER	K06 15991	2		CABLE TIE	27111-212	1
21 *	DISCH FLANGE GSKT	10195G 20000	1	OPTIONAL:			
22	DISCHARGE FLANGE	10195 13040	1		REPAIR GASKET SET	11000T	1
23	STUD	C0506 15991	4		STAGING ADAPTOR KIT	48272-002	1
24	HEX NUT	D05 15991	4		DISCH FLANGE	38641-032	1
25 *	RELIEF VALVE ASSY	46431-608	1		STUD	C0505 15991	4
26	STUD	C0511 15991	4		ANODE PLATE ASSY	42116-001	1
27	HEX NUT	D05 15991	4	LIQUID LEVEL DEVICES:			
28	TERM HSG/CABLE ASSY	47367-098	1		DIAPHRAGM TYPE	GRP48-03 or GRP48-06	1
29 *	UPPER BALL BEARING	S1512	1		FLOAT TYPE	27471-180	1
30	STATOR	47113-851	1		120V LIQ LVL CONTROL	47631-070	1
31 *	ROTOR W/SHAFT ASSY	47112-801	1				

* INDICATES PARTS RECOMMENDED FOR STOCK

THE GORMAN-RUPP COMPANY • MANSFIELD, OHIO

GORMAN-RUPP OF CANADA LIMITED • ST. THOMAS, ONTARIO, CANADA

Printed in U.S.A.



THE GORMAN-RUPP COMPANY • MANSFIELD, OHIO

GORMAN-RUPP OF CANADA LIMITED • ST. THOMAS, ONTARIO, CANADA

Printed in U.S.A.

S/N 1766590 Up
PUMP ISSUE 5

Terminal Housing

If your pump serial number is followed by an "N", your pump is **NOT** a standard production model. Contact the Gorman-Rupp Company to verify part numbers.

ITEM NO.	PART NAME	PART NUMBER	QTY
1	TERMINAL POST	11181 14100	3
2	ALLEN HD SETSCREW	GA#10-01S 15991	3
3*	* LOWER FLANGE GASKET	10195G 20000	2
4	TERMINAL PLATE	38713-007 23010	1
5	TERMINAL	S1835	3
6	INFORMATION PLATE	38816-047 17990	1
7	TERMINAL HOUSING	38381-245 13000	1
8	DRIVE SCREW	BM#04-03 17000	4
9	TERMINAL	27214-243	1
10	* CABLE	47323-050	1
11	CABLE GRIP	27111-046	1
12	RD HD MACH SCREW	X#10-01-1/2 14990	1
13	T TYPE LOCK WASHER	AK#10 15991	1
14	HEX NUT	D#10 14990	6
15	SEALING WASHER	S1590	3

* INDICATES PARTS RECOMMENDED FOR STOCK

THE GORMAN-RUPP COMPANY • MANSFIELD, OHIO

GORMAN-RUPP OF CANADA LIMITED • ST. THOMAS, ONTARIO, CANADA Printed in U.S.A.

**For U.S. and International Warranty Information,
Please Visit www.grpumps.com/warranty
or call:
U.S.: 419-755-1280
International: +1-419-755-1352**

**For Canadian Warranty Information,
Please Visit www.grcanada.com/warranty
or call:
519-631-2870**