

AC

Use With: OM-04151
MR-04280

PUBLICATION NUMBER PL-04288-01

Pump Issue 1

June 14, 1995

Supersedes: OM-02770-01



PUMP MODEL S2B65-E2 230/3

MANUAL
PART 2 of 3

PARTS
LIST

WITH
PERFORMANCE CURVE

THE GORMAN-RUPP COMPANY • MANSFIELD, OHIO

GORMAN-RUPP OF CANADA LIMITED • ST. THOMAS, ONTARIO, CANADA Printed in U.S.A.

©Copyright by the Gorman-Rupp Company

PERFORMANCE CURVE – SECTION A

RECORDING MODEL AND SERIAL NUMBERS

Please record the pump model and serial number in the spaces provided below and in the separate *Installation/Operation Manual* accompanying your pump. Your Gorman-Rupp distributor needs this information when you require parts or service.

Pump Model: _____

Serial Number: _____

WARRANTY INFORMATION

The pump warranty is provided as part of Gorman-Rupp's support program for customers who operate and maintain their equipment as described in this manual and other accompanying literature. Please note that should the equipment be abused or modified to change its performance beyond the original factory specifications, the warranty will become void and any claim will be denied.

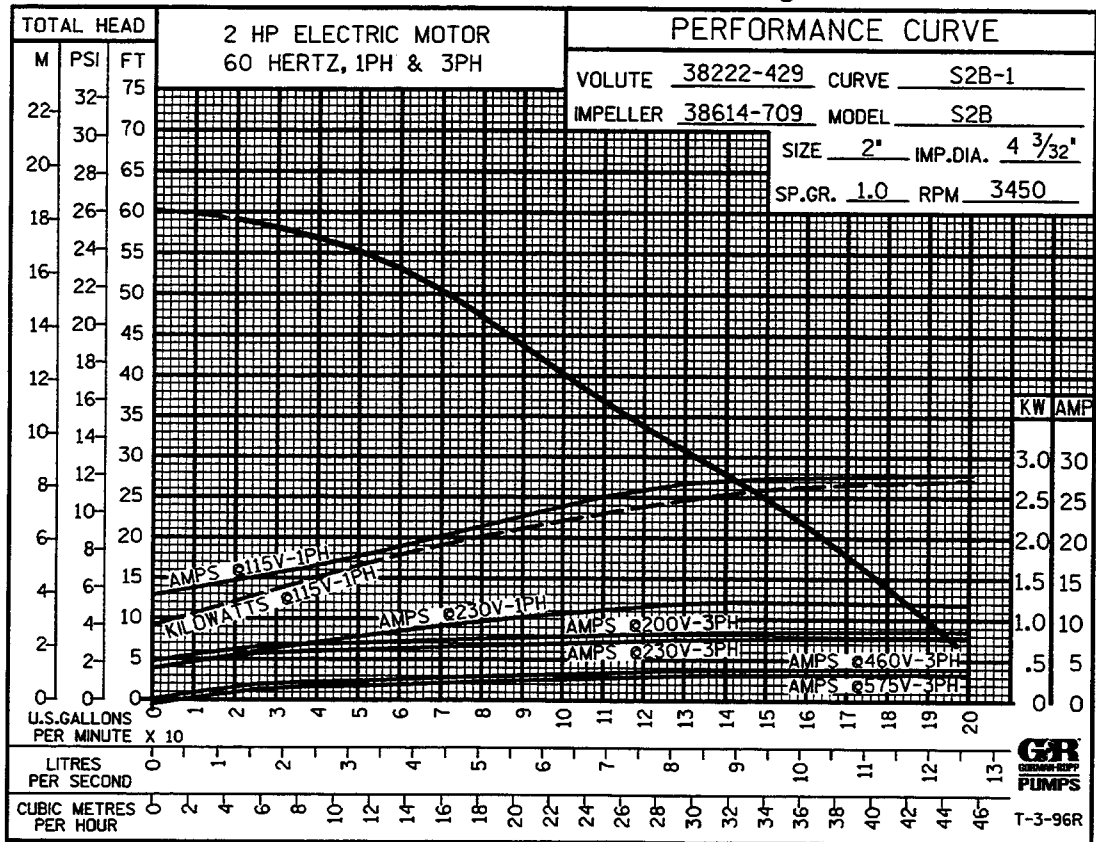
PERFORMANCE CURVES

The performance curves on the following page are based on 70° F (21° C) clear water at sea level. Since pump installations are seldom identical, your performance may be different due to such factors as viscosity, specific gravity, elevation, temperature, and impeller trim.

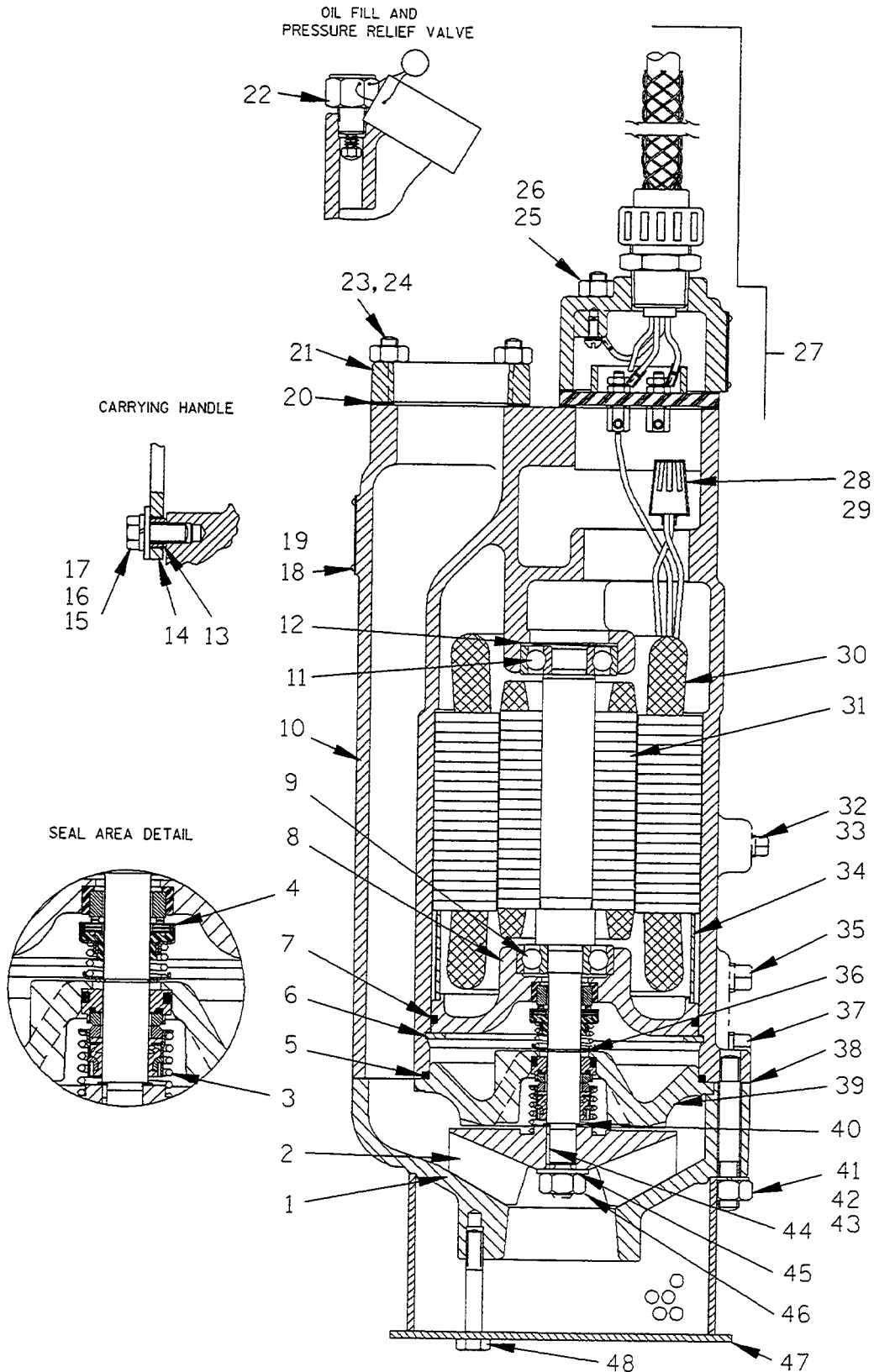
If your pump serial number is followed by an "N", your pump is **NOT** a standard production model. Contact the Gorman-Rupp Company to verify performance or part numbers.



Pump speed and operating condition points must be within the continuous performance range shown on the curve(s).



Performance Curve – Model S2B65–E2 230/3



THE GORMAN-RUPP COMPANY • MANSFIELD, OHIO

GORMAN-RUPP OF CANADA LIMITED • ST. THOMAS, ONTARIO, CANADA

Printed In U.S.A.

S/N 852142 Up
PUMP ISSUE 1

If your pump serial number is followed by an "N", your pump is NOT a standard production model. Contact the Gorman-Rupp Company to verify part numbers.

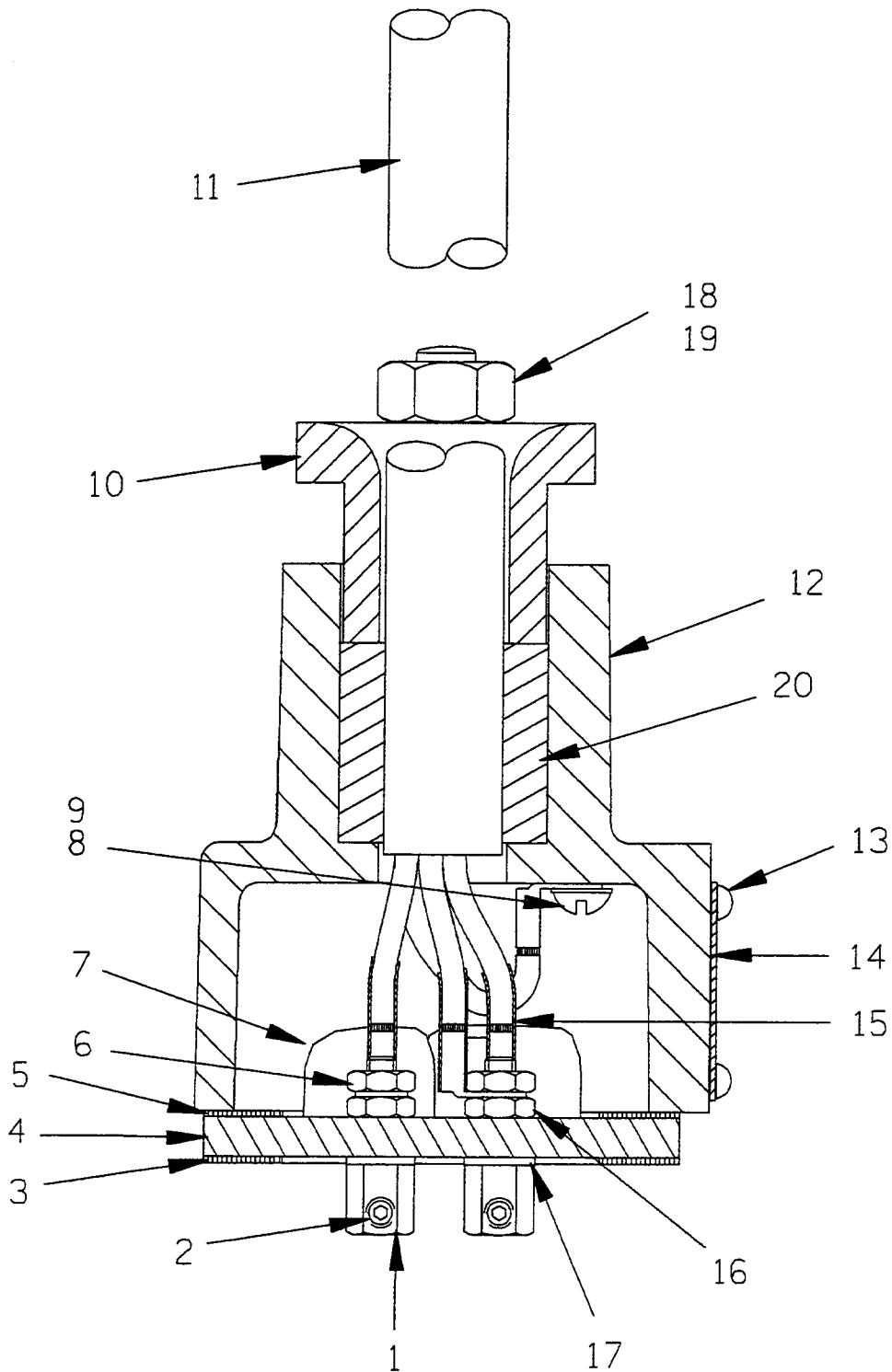
ITEM NO.	PART NAME	PART NUMBER	MAT'L CODE	QTY	ITEM NO.	PART NAME	PART NUMBER	MAT'L CODE	QTY
1	SUCTION CASING	38222-429	1718H	1	36	SEAL SNAP RING	24124-322	---	1
2 *	IMPELLER	38614-709	1718H	1	37	SEAL CVTY DRAIN PLUG	P04	17090	1
3 *	LOWER SEAL ASSY	46512-069	---	1	38 *	SUCT CASING GSKT	38674-807	19370	1
4 *	UPPER SEAL ASSY	25271-824	---	1	39	SEAL PLATE	38272-830	1718H	1
5 *	SEAL PLATE O-RING	25154-250	---	1	40 *	IMP ADJ SHIM SET	669	17090	1
6	RETAINING RING	24121-077	---	1	41	STUD	C0610	17090	4
7 *	INTERMEDIATE O-RING	25152-248	---	1	42	LOCK WASHER	J06	17090	4
8	INTERMEDIATE BRACKET	38261-015	13040	1	43	HEX NUT	D06	17090	4
9 *	LOWER BALL BEARING	S1512	---	1	44 *	IMPELLER KEY	N0202-1/2	17090	1
10	MOTOR HOUSING	38311-029	17070	1	45	FLAT WASHER	21161-828	---	1
11 *	UPPER BALL BEARING	S1512	---	1	46	IMPELLER NUT	D06	17090	1
12	BRG SPRING WASHER	S1554	---	1	47 *	STRAINER ASSY	46611-009	24170	1
13 *	BAIL BUSHING	10194	17090	2	48	NYLOCK CAPSCREW	BT0508	17090	4
14	HOIST BAIL	10185A	17050	1					
15	HEX HD CAPSCREW	B0604	17090	2	NOT SHOWN:				
16	FLAT WASHER	KB06	17090	2		CABLE TIE	27111-212	---	1
17	LOCK WASHER	J06	17090	2		CONTROL BOX	47631-127	---	1
18	NAME PLATE	38818-039	17090	1		SUB. PUMP OIL	9568	---	1
19	DRIVE SCREW	BM#04-03	17090	6		MOTOR VOLTAGE TAG	38816-094	---	1
20 *	DISCH FLANGE GSKT	10195G	19370	1		MOTOR PLATE	10436	17050	1
21	DISCHARGE FLANGE	10195	17070	1		DRIVE SCREW	BM#04-03	17090	4
22 *	RELIEF VALVE ASSY	46431-646	---	1	OPTIONAL:				
23	STUD	C0506	17090	4		* REPAIR GASKET SET	11000Z	---	1
24	HEX NUT	D05	17090	4		ANODE PLATE ASSY	42116-001	---	1
25	STUD	C0511	17090	4		STAGING ADAPTOR KIT:			
26	HEX NUT	D05	17090	4		-FLANGE	10195	17070	1
27	TERM HSG/CABLE ASSY	47367-050	---	1		-FLANGE GASKET	10195G	19370	1
28	CONNECTOR	S1718	---	1		-STUD	C0506	17090	4
29 *	HEAT-SHRINK TUBE	31411-235	19450	1		-HEX NUT	D05	17090	4
30	STATOR	47113-854	---	1	LIQUID LEVEL DEVICES:				
31 *	ROTOR W/SHAFT ASSY	47112-802	---	1		DIAPHRAGM TYPE	GRP48-03 OR GRP48-06		1
32	ALLEN HD SETSCREW	GA0501-1/4	15990	1		FLOAT TYPE	27471-180	---	1
33	PIPE PLUG	P02	17090	1		120V CONTROL SW	47631-136	---	1
34	MOTOR BUSHING	31173-018	23010	1					
35	PIPE PLUG	P04	17090	1					

* INDICATES PARTS RECOMMENDED FOR STOCK

Above Serial Numbers Do Not Apply To Pumps Made In Canada.

CANADIAN SERIAL NO. AND UP

THE GORMAN-RUPP COMPANY • MANSFIELD, OHIO



THE GORMAN-RUPP COMPANY • MANSFIELD, OHIO

GORMAN-RUPP OF CANADA LIMITED • ST. THOMAS, ONTARIO, CANADA

Printed in U.S.A.

S/N 852142 Up
PUMP ISSUE 1

Terminal Housing

If your pump serial number is followed by an "N", your pump is NOT a standard production model. Contact the Gorman-Rupp Company to verify part numbers.

ITEM NO.	PART NAME	PART NUMBER	MAT'L CODE	QTY
1	TERMINAL	11181	14100	3
2	ALLEN HD SETSCREW	GA#10-01S	15991	3
3	* LOWER FLANGE GASKET	10195G	19370	1
4	TERMINAL PLATE	38713-007	23010	1
5	* UPPER FLANGE GASKET	10195G	19370	1
6	HEX NUT	D#10	14990	3
7	1 OZ RTV SEALANT	18771-106	---	1
8	T TYPE LOCK WASHER	AK#10	15991	1
9	ROUND HEAD MACHINE SCREW	X#10-01 1/2	14990	1
10	TERMINAL CAP	38381-624	17070	1
11	* CABLE ASSEMBLY	47351-052	---	1
12	TERMINAL HOUSING	38381-229	17070	1
13	DRIVE SCREW	BM#04-03	17090	4
14	INFORMATION PLATE	38816-047	17050	1
15	* HEAT-SHRINK TUBE	31411-203	19530	3
16	HEX NUT	D#10	14990	3
17	* DYNA-SEAL WASHER	S1590	---	3
18	STUD	C0606	17090	2
19	HEX NUT	D06	17090	2
20	TERMINAL BUSHING	10758H	19540	1
NOT SHOWN				
	MOTOR PLATE	10436	17050	1
OPTIONAL:				
	HEAT SHRINK TERMINAL KIT	48315-008	-----	1

* INDICATES PARTS RECOMMENDED FOR STOCK

THE GORMAN-RUPP COMPANY • MANSFIELD, OHIO

**For U.S. and International Warranty Information,
Please Visit www.grpumps.com/warranty
or call:
U.S.: 419-755-1280
International: +1-419-755-1352**

**For Canadian Warranty Information,
Please Visit www.grcanada.com/warranty
or call:
519-631-2870**