

ACE
Use With:
OM-03986

PUBLICATION NUMBER PL-04349
Bill of Material Issue 1
S/N 1078413 Up
December 5, 1995



MODELS
HSP-GX390
HSP-L100AE
HYDRAULIC SUBMERSIBLE POWER UNIT

MANUAL
PART 2 of 2

PARTS
LIST

THE GORMAN-RUPP COMPANY • MANSFIELD, OHIO

GORMAN-RUPP OF CANADA LIMITED • ST. THOMAS, ONTARIO, CANADA Printed in U.S.A.

©Copyright by the Gorman-Rupp Company

PARTS LISTS – SECTION A**RECORDING MODEL AND
SERIAL NUMBERS**

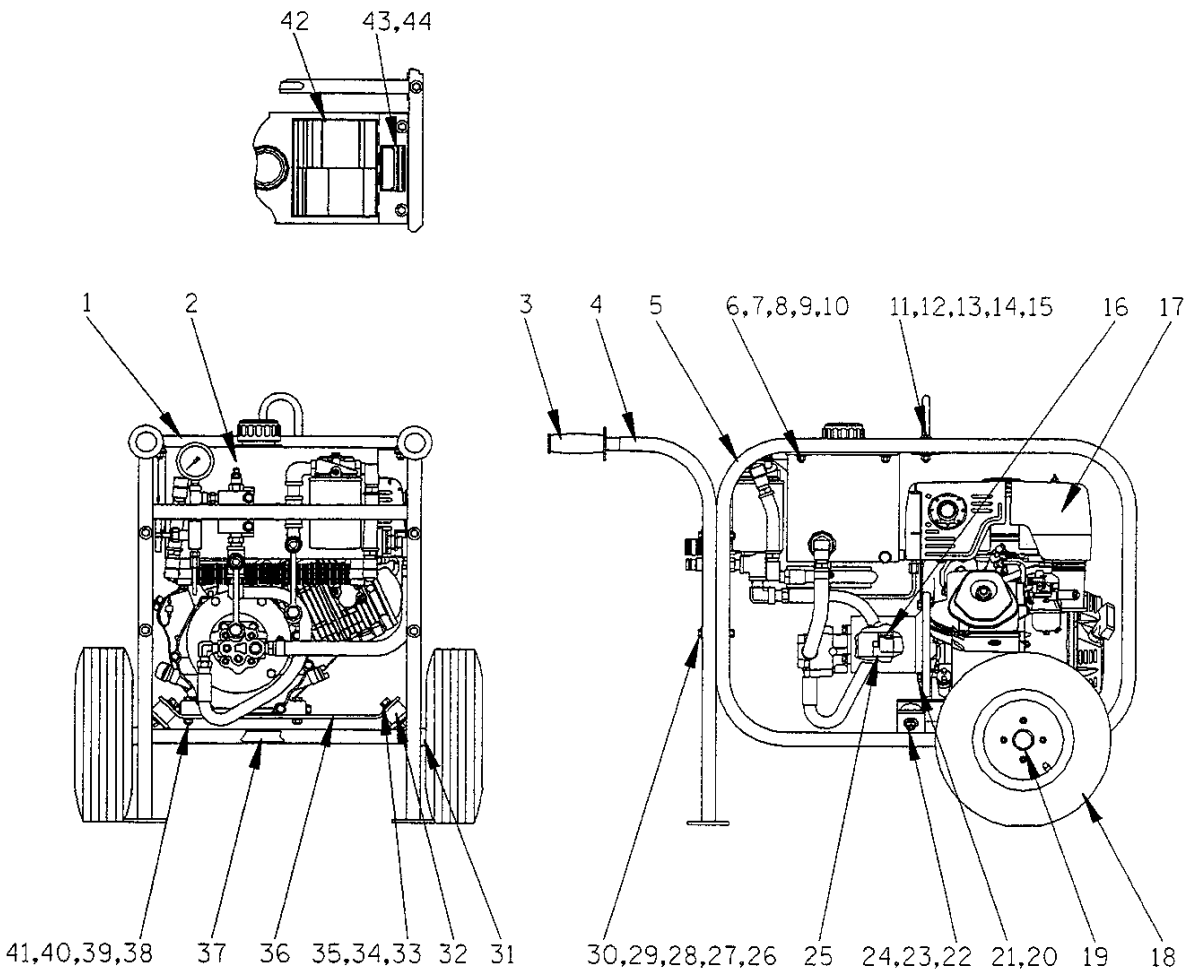
Please record the model and serial number of your unit in the spaces provided below and in the separate Installation/Operation and Maintenance Manual accompanying your power unit. Your Gorman-Rupp distributor needs this information when you require parts or service.

Model: _____

Serial Number: _____

WARRANTY INFORMATION

The hydraulic submersible power unit warranty is provided as part of Gorman-Rupp's support program for customers who operate and maintain their equipment as described in this manual and other accompanying literature. Please note that should the equipment be abused or modified to change its performance beyond the original factory specifications, the warranty will become void and any claim will be denied.



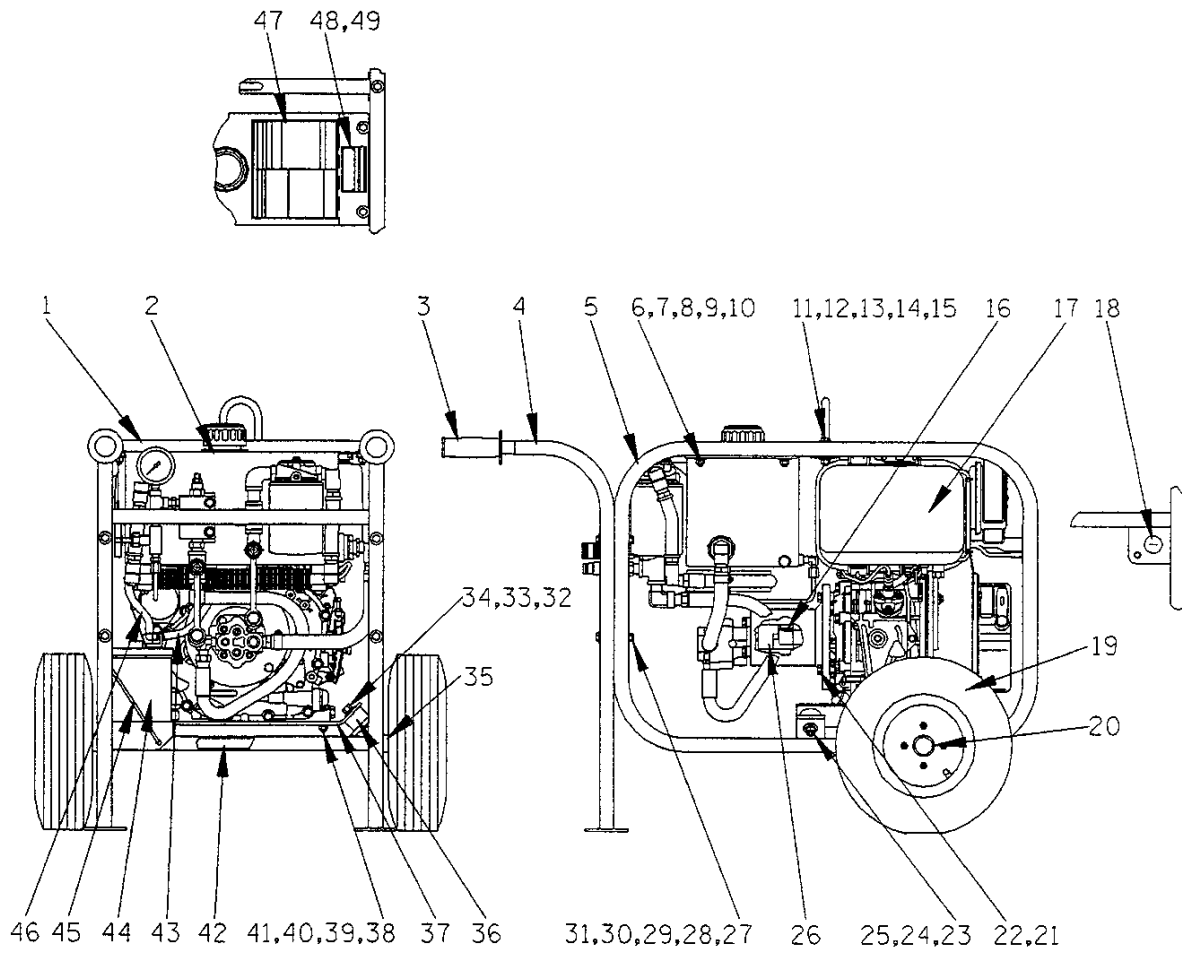
**S/N 1078413 Up
BILL OF MATERIAL ISSUE 1**

**PARTS LIST
Model HSP-GX390**

If your hydraulic power unit serial number is followed by an "N", your unit is **NOT** a standard production model. Contact the Gorman-Rupp Company to verify part numbers.

ITEM NO.	PART NAME	PART NUMBER	MAT'L CODE	QTY	ITEM NO.	PART NAME	PART NUMBER	MAT'L CODE	QTY
1	LIFTING BRACKET	26832-604	-----	1	23	LOCKWASHER	J06	15991	4
2	HYD COMPONENTS	SEE PAGE 6	-----	1	24	FLAT WASHER	KE06	15991	4
3	HANDLE GRIP	26832-602	-----	2	25	DRIVE COUPLING ASSY	26832-610	-----	1
4	HANDLE	26832-609	-----	2	26	HEX HD CAPSCREW	B0510	15991	4
5	FRAME	26832-608	-----	1	27	FLAT WASHER	KE05	15991	4
6	HEX HD CAPSCREW	B0503	15991	4	28	FLAT WASHER	KE05	15991	4
7	FLAT WASHER	KE05	15991	4	29	LOCKWASHER	J05	15991	4
8	FLAT WASHER	KE05	15991	4	30	LOCK NUT	BC05	15991	4
9	LOCKWASHER	J05	15991	4	31	COLLAR	26832-606	-----	4
10	HEX NUT	D05	15991	4	32	ISOLATOR	26832-601	-----	4
11	HEX HD CAPSCREW	B0506	15991	2	33	HEX NUT	D06	15991	4
12	FLAT WASHER	KE05	15991	2	34	LOCKWASHER	J06	15991	4
13	FLAT WASHER	KE05	15991	2	35	FLAT WASHER	KE06	15991	4
14	LOCKWASHER	J05	15991	2	36	MOTOR MOUNT PLATE	26832-605	-----	1
15	LOCK NUT	BC05	15991	2	37	AXLE	26832-607	-----	1
16 *	KEY	N0404	15990	1	38	HEX HD CAPSCREW	B0607	15991	4
17	11 H.P HONDA ENGINE	26832-640	-----	1	39	FLAT WASHER	KE06	15991	4
18	WHEEL ASSY	26832-603	-----	2	40	LOCKWASHER	J06	15991	4
19	COLLAR	26832-606	-----	2	41	HEX NUT	D06	15991	4
20	HEX HD CAPSCREW	B0605	15991	4	42	INSTRUCTION DECAL	38818-125	-----	1
21	LOCKWASHER	J06	15991	4	43	NAME PLATE	38818-113	13000	1
22	HEX NUT	D06	15991	4	44	DRIVE SCREW	BM#04-03	17000	1

* INDICATES PARTS RECOMMENDED FOR STOCK

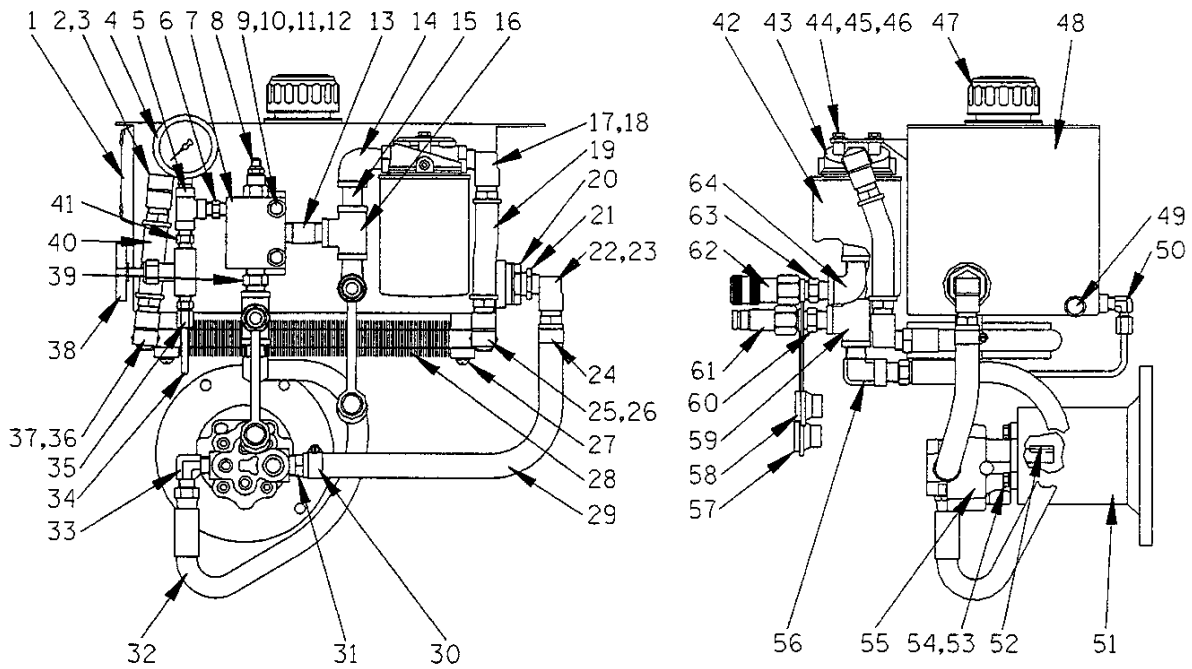


S/N 1078413 Up
BILL OF MATERIAL ISSUE 1

PARTS LIST
Model HSP-L100AE

ITEM NO.	PART NAME	PART NUMBER	MAT'L CODE	QTY	ITEM NO.	PART NAME	PART NUMBER	MAT'L CODE	QTY
1	LIFTING BRACKET	26832-604	-----	1	26	DRIVE COUPLING ASSY	26832-610	-----	1
2	HYD COMPONENTS	SEE PAGE 6	-----	1	27	HEX HD CAPSCREW	B0510	15991	4
3	HANDLE GRIP	26832-602	-----	2	28	FLAT WASHER	KE05	15991	4
4	HANDLE	26832-609	-----	2	29	FLAT WASHER	KE05	15991	4
5	FRAME	26832-651	-----	1	30	LOCKWASHER	J05	15991	4
6	HEX HD CAPSCREW	B0503	15991	4	31	LOCK NUT	BC05	15991	4
7	FLAT WASHER	KE05	15991	4	32	HEX NUT	D06	15991	4
8	FLAT WASHER	KE05	15991	4	33	LOCKWASHER	J06	15991	4
9	LOCKWASHER	J05	15991	4	34	FLAT WASHER	KE06	15991	4
10	HEX NUT	D05	15991	4	35	COLLAR	26832-606	-----	4
11	HEX HD CAPSCREW	B0506	15991	2	36	ISOLATOR	26832-601	-----	4
12	FLAT WASHER	KE05	15991	2	37	MOTOR MOUNT PLATE	26832-605	-----	1
13	FLAT WASHER	KE05	15991	2	38	HEX HD CAPSCREW	B0607	15991	4
14	LOCKWASHER	J05	15991	2	39	FLAT WASHER	KE06	15991	4
15	LOCK NUT	BC05	15991	2	40	LOCKWASHER	J06	15991	4
16 *	KEY	N0404	15990	1	41	HEX NUT	D06	15991	4
17	10 H.P. YANMAR ENGINE	26832-660	-----	1	42	AXLE	26832-607	-----	1
18	SWITCH	26832-652	-----	1	43	NEG BATTERY CABLE	26832-654	-----	1
19	WHEEL ASSY	26832-603	-----	2	44	BATTERY	SEE OPTIONS		
20	COLLAR	26832-606	-----	2	45	BATTERY HOLD DOWN	26832-653	-----	1
21	HEX HD CAPSCREW	B0605	15991	4	46	POS BATTERY CABLE	26832-655	-----	1
22	LOCKWASHER	J06	15991	4	47	INSTRUCTION DECAL	38818-125	-----	1
23	HEX NUT	D06	15991	4	48	NAME PLATE	38818-113	13000	1
24	LOCKWASHER	J06	15991	4	49	DRIVE SCREW	BM#04-03	17000	1
25	FLAT WASHER	KE06	15991	4	OPTIONAL:				
						BATTERY	S1680	-----	1

* INDICATES PARTS RECOMMENDED FOR STOCK



**HSP-GX390
HSP-L100AE**

ACE

S/N 1078413 Up
BILL OF MATERIAL ISSUE 1

**PARTS LIST
HSP-GX390 And HSP-L100AE
Hydraulic Components**

ITEM NO.	PART NAME	PART NUMBER	MAT'L CODE	QTY	ITEM NO.	PART NAME	PART NUMBER	MAT'L CODE	QTY
1	SIGHT GLASS	26832-722	-----	1	35	STRAIGHT TUBE FITTING	26832-708	-----	1
2	STREET ELBOW	26381-447	-----	1	36	STREET ELBOW	26381-447	-----	1
3	HOSE NIPPLE	26832-711	-----	1	37	HOSE NIPPLE	26832-711	-----	1
4	PRESSURE GAUGE	26832-718	-----	1	38	CONTROL VALVE	26832-717	-----	1
5	TEE	26832-707	-----	1	39	HEX NIPPLE	26832-704	-----	1
6	HEX NIPPLE	26832-706	-----	1	40	COOLER OUTLET HOSE	26832-730	-----	1
7	RELIEF VALVE BODY	26832-735	-----	1	41	HEX NIPPLE	26832-706	-----	1
8	RELIEF VLV CARTRIDGE	26832-734	-----	1	42	RETURN FILTER	26832-721	-----	1
9	HEX HD CAPSCREW	B0508	15991	2	43	RETURN FILTER HEAD	26832-720	-----	1
10	LOCKWASHER	J05	15991	2	44	HEX HD CAPSCREW	B0402	15991	2
11	FLAT WASHER	KE05	15991	2	45	LOCKWASHER	J04	15991	2
12	HEX NUT	D05	15991	1	46	FLAT WASHER	KE04	15991	2
13	NIPPLE	T0810	15079	1	47	FILLER/STRAINER ASSY	26832-716	-----	1
14	STREET ELBOW	RS08	11999	1	48	RESERVOIR	26832-723	-----	1
15	NIPPLE	T0806	15079	1	49	DRAIN PLUG	26832-712	-----	1
16	PIPE TEE	U08	11999	1	50	TUBE FITTING	26832-703	-----	1
17	STREET ELBOW	26831-447	-----	1	51	PUMP ADAPTOR	26832-728	-----	1
18	HOSE NIPPLE	26832-711	-----	1	52	KEY	26832-727	-----	1
19	COOLER INLET HOSE	26832-729	-----	1	53	HEX HD CAPSCREW	B0605	15991	4
20	SUCTION STRAINER	26832-719	-----	1	54	LOCKWASHER	J06	15991	4
21	REDUCING BUSHING	AP1208	15079	1	55	HYDRAULIC PUMP	26832-725	-----	1
22	STREET ELBOW	26381-447	-----	1	56	STREET ELBOW	26832-709	-----	1
23	HOSE NIPPLE	26832-713	-----	1	57	PROTECTIVE COVER	26832-701	-----	1
24	HOSE CLAMP	26518-666	-----	1	58	PROTECTIVE COVER	26832-701	-----	1
25	STREET ELBOW	26831-447	-----	1	59	PIPE TEE	26832-714	-----	1
26	HOSE NIPPLE	26832-711	-----	1	60	HEX NIPPLE	26832-715	-----	1
27	COOLER MTG KIT	26832-731	-----	2	61	MALE HYD COUPLING	26832-702	-----	1
28	COOLER	26832-732	-----	1	62	FEMALE HYD COUPLING	26832-705	-----	1
29	SUCTION HOSE	26832-724	-----	1	63	HEX NIPPLE	26832-715	-----	1
30	HOSE CLAMP	26518-666	-----	1	64	STREET ELBOW	RS08	11999	1
31	HOSE NIPPLE	26832-713	-----	1		OPTIONAL:			
32	HIGH PRESS HOSE ASSY	26832-726	-----	1		HYD PUMP LIP SEAL	26832-951	-----	1
33	ELBOW	26832-710	-----	1		HYD PUMP SEAL KIT	26832-952	-----	1
34	TUBING	26832-733	-----	1					

* INDICATES PARTS RECOMMENDED FOR STOCK

THE GORMAN-RUPP COMPANY • MANSFIELD, OHIO

6 of 6

GORMAN-RUPP OF CANADA LIMITED • ST. THOMAS, ONTARIO, CANADA

Printed In U.S.A.

**For U.S. and International Warranty Information,
Please Visit www.grpumps.com/warranty**

or call:

U.S.: 419-755-1280

International: +1-419-755-1352

**For Canadian Warranty Information,
Please Visit www.grcanada.com/warranty**

or call:

519-631-2870

THE GORMAN-RUPP COMPANY • MANSFIELD, OHIO

GORMAN-RUPP OF CANADA LIMITED • ST. THOMAS, ONTARIO, CANADA