

C

Use With: OM-04417
MR-04441

PUBLICATION NUMBER PL-04443-02
Pump Issue 2
April 1, 1996



PUMP MODEL
SM4C18-X10 460/575/3

MANUAL
PART 2 of 3

PARTS
LIST
WITH
PERFORMANCE CURVE

THE GORMAN-RUPP COMPANY • MANSFIELD, OHIO

GORMAN-RUPP OF CANADA LIMITED • ST. THOMAS, ONTARIO, CANADA Printed in U.S.A.

©Copyright by the Gorman-Rupp Company

PERFORMANCE CURVE – SECTION A

RECORDING MODEL AND SERIAL NUMBERS

Please record the pump model and serial number in the spaces provided below and in the separate Installation/Operation Manual accompanying your pump. Your Gorman-Rupp distributor needs this information when you require parts or service.

Pump Model: _____

Serial Number: _____

WARRANTY INFORMATION

The pump warranty is provided as part of Gorman-Rupp's support program for customers who operate and maintain their equipment as described in this manual and other accompanying literature. Please note that should the equipment be abused or modified to change its performance beyond the original factory specifications, the warranty will become void and any claim will be denied.

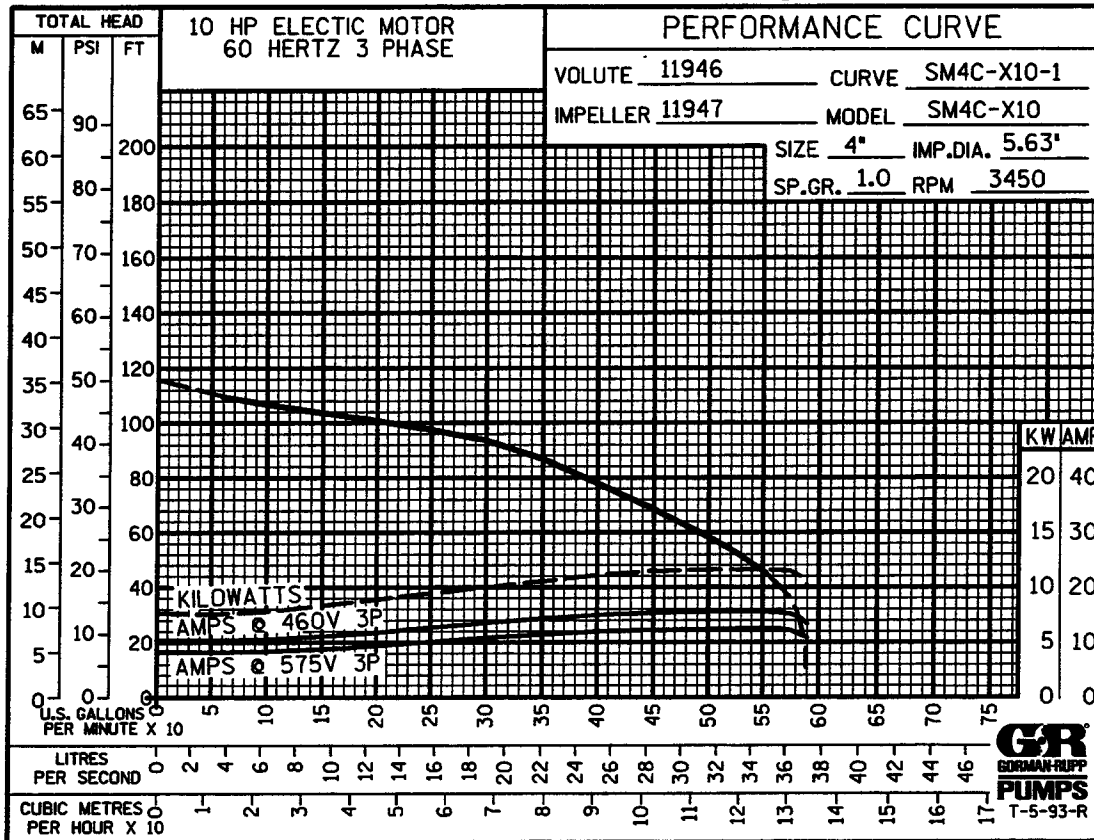
PERFORMANCE CURVES

The performance curve on this page is based on 70° F (21° C) clear water at sea level. Since pump installations are seldom identical, your performance may be different due to such factors as viscosity, specific gravity, elevation, temperature, and impeller trim.

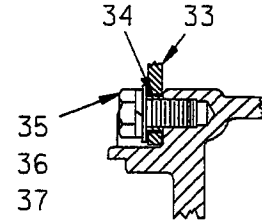
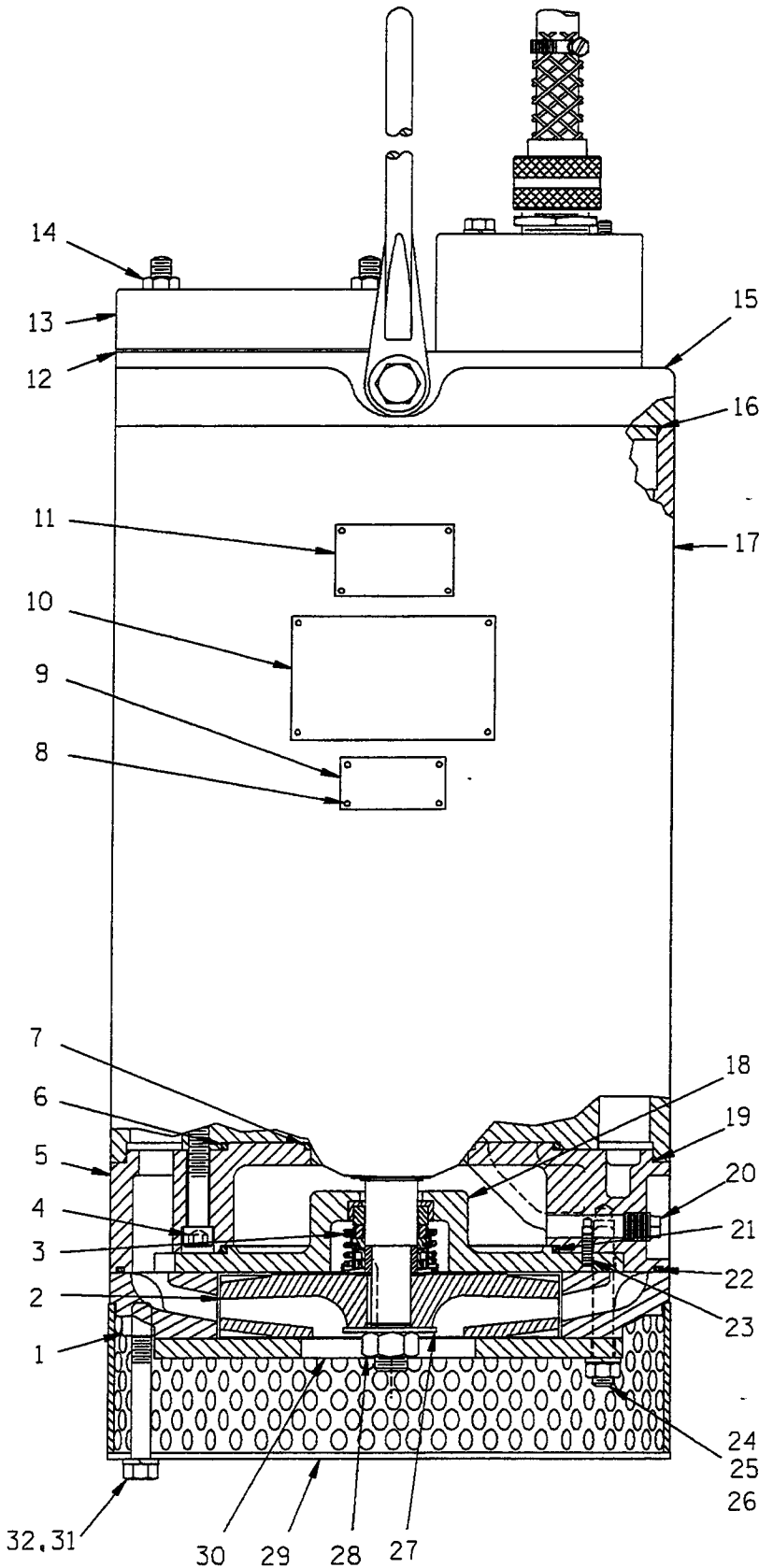
If your pump serial number is followed by an "N", your pump is **NOT** a standard production model. Contact the Gorman-Rupp Company to verify performance or part numbers.



Pump speed and operating condition points must be within the continuous performance range shown on the curve(s).

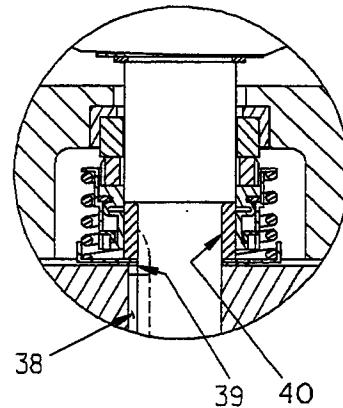


Performance Curve – Model SM4C18-X10 460/575/3



DETAIL OF HOIST BAIL

SEAL AREA DETAIL



THE GORMAN-RUPP COMPANY • MANSFIELD, OHIO

GORMAN-RUPP OF CANADA LIMITED • ST. THOMAS, ONTARIO, CANADA

Printed in U.S.A.

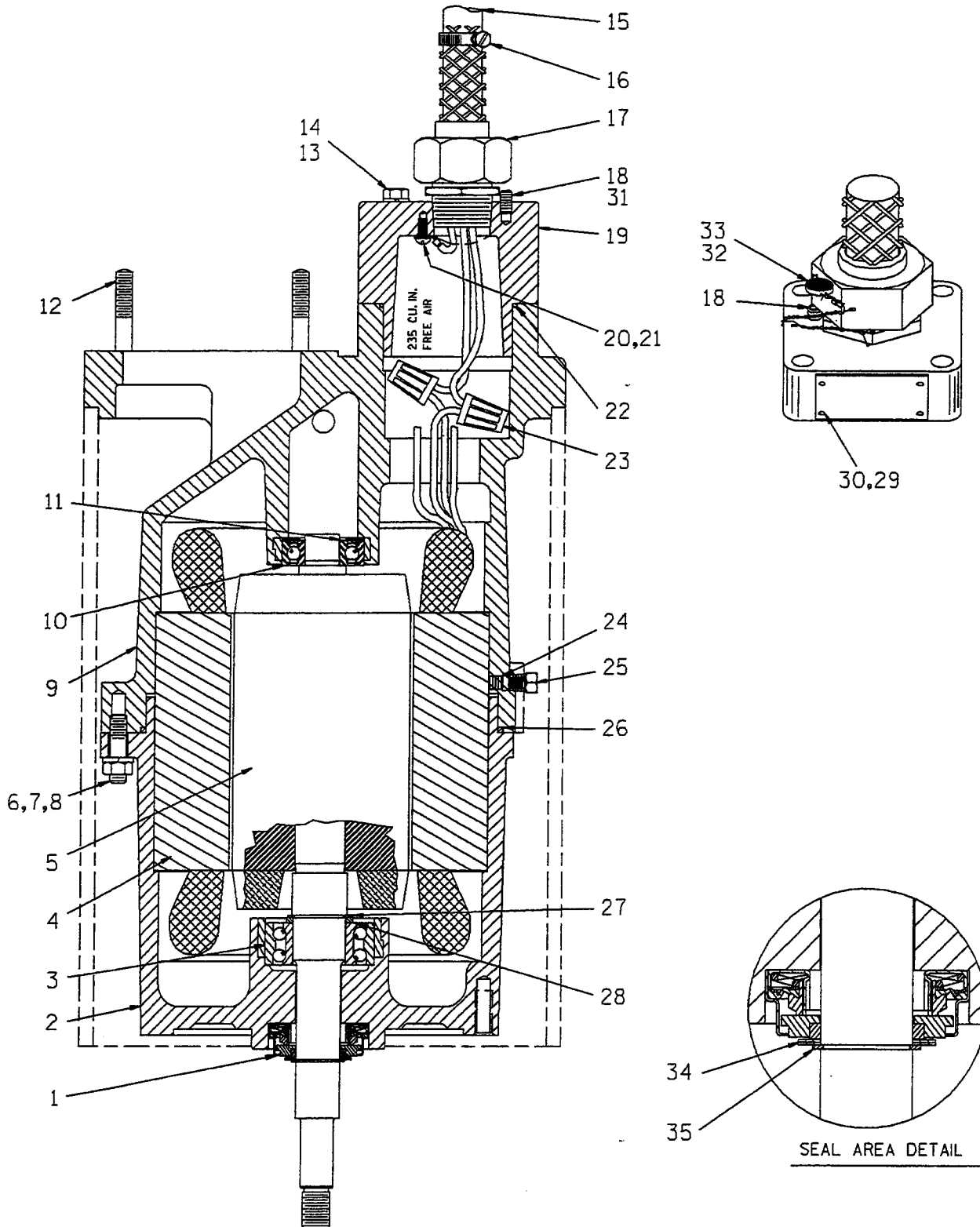
S/N 1136140 UP
PUMP ISSUE 2

If your pump serial number is followed by an "N", your pump is NOT a standard production model. Contact the Gorman-Rupp Company to verify part numbers.

ITEM NO.	PART NAME	PART NUMBER	MAT'L CODE	QTY	ITEM NO.	PART NAME	PART NUMBER	MAT'L CODE	QTY
1	DIFFUSER	11946	1718H	1	27	FLAT WASHER	KB10	17090	1
2 *	IMPELLER	11947	1718H	1	28 *	IMPELLER NUT	D10S	17000	1
3 *	SEAL ASSEMBLY	46512-057	---	1	29	STRAINER ASSY	11969	2400V	1
4	SCKT HD CAPSCREW	DM0609	17000	3	30 *	WEAR PLATE	11948	1718H	1
5	INTERMEDIATE	38261-023	13040	1	31	HEX HD CAPSCREW	B0610	17000	3
6 *	INTERMEDIATE O-RING	25152-259	---	1	32	LOCKWASHER	J06	17000	3
7 *	INTERMEDIATE O-RING	25152-234	---	1	33	HOIST BAIL	11959	2400V	1
8	DRIVE SCREW	BM#04-03	17000	12	34	BAIL BUSHING	9562	15991	2
9	PENN DOER APPL PLATE	2613FL	17020	1	35	FLAT WASHER	KE08	17000	2
10 *	MSHA PLATE	2613ES	17020	1	36	LOCKWASHER	J08	17000	2
11	NAME PLATE	2613DD	17020	1	37	HEX HD CAPSCREW	B0804	17000	2
12 *	DISCH FLANGE GASKET	11957G	20000	1	38 *	IMPELLER KEY	N0303 1/2	17000	1
13	DISCHARGE FLANGE	11957	13040	1	39 *	IMPELLER ADJ SHIM SET	2Y	17090	1
14	HEX NUT	D06	17000	4	40 *	SHAFT SLEEVE	13878	17020	1
15	MOTOR ASSEMBLY					NOT SHOWN:			
	-460V	47111-079	---	1		QT SUB PUMP OIL	9568	---	1
	-575V	47111-080	---	1		VOLTAGE TAG			
16 *	PUMP CASING O-RING	S1830	---	1		-460V	6588BL	---	1
17	PUMP CASING	38311-806	13175	1		-575V	6588BM	---	1
18	SEAL PLATE	13882	1718H	1		CONTROL BOX			
19 *	INTERMEDIATE O-RING	S1830	---	1		-460V	47631-150	---	1
20	SEAL CAVITY FILL PLUG	P04	17000	1		-575V	47631-151	---	1
21 *	SEAL PLATE O-RING	25152-259	---	1		OPTIONAL:			
22 *	DIFFUSER O-RING	S1830	---	1		STAGING ADAPTOR KIT	48272-011	---	1
23	FLT HD MACH SCREW	Y#10-03	17000	3		ADI IMPELLER	11947	1102H	1
24	STUD	C0616	17000	3		ADI DIFFUSER	11946	1102H	1
25	LOCKWASHER	J06	17000	3		ADI SEAL PLATE	13882	1102H	1
26	HEX NUT	D06	17000	3					

* INDICATES PARTS RECOMMENDED FOR STOCK

THE GORMAN-RUPP COMPANY • MANSFIELD, OHIO



THE GORMAN-RUPP COMPANY • MANSFIELD, OHIO

GORMAN-RUPP OF CANADA LIMITED • ST. THOMAS, ONTARIO, CANADA

Printed in U.S.A.

S/N 1136140 UP
PUMP ISSUE 2

ITEM NO.	PART NAME	PART NUMBER	MAT'L CODE	QTY
1	* MECH SEAL ASSY	25276-031	---	1
2	LOWER MOTOR HOUSING	38311-025	13040	1
3	* BALL BEARING	23425-007	---	1
4	STATOR (460V)	47113-815	---	1
	STATOR (575V)	47113-816	---	1
5	ROTOR & SHAFT ASSY	47112-808	---	1
6	STUD	C0606	17000	8
7	DEFORM LOCKNUT	DD06	17000	8
8	LOCKWASHER	J06	17000	8
9	UPPER MOTOR HOUSING	38311-057	13000	1
10	* BALL BEARING	23257-009	---	1
11	SPRING WASHER	S1554	---	1
12	STUD	C0609	17000	4
13	HEX HD CAPSCREW	B0511	17000	4
14	LOCKWASHER	J05	17000	4
15	* CABLE ASSY - 50 FT.	47351-011	---	1
16	HOSE CLAMP	26518-766	---	1
17	CABLE GRIP ASSY	27111-816	---	1
18	ALLEN HEAD SETSCREW	GA0402	17000	1
19	TERMINAL HOUSING	38381-225	13040	1
20	T-TYPE LOCKWASHER	AK#10	15991	2
21	RD HD MACH SCREW	X#10-01 1/2	14990	2
22	* TERMINAL HOUSING O-RING	25154-149	---	1
23	CONNECTOR	S1718	---	5
24	ALLEN HEAD SETSCREW	GA0501 1/4	15990	2
25	PIPE PLUG	38649-022	17030	2
26	* MOTOR HOUSING O-RING	25152-265	---	1
27	SNAP RING	S1831	---	1
28	BEARING SPACER	21161-401	---	1
29	CERTIFICATION PLATE	2613GX	17020	1
30	DRIVE SCREW	BM#04-03	17000	4
31	ALLEN HEAD SETSCREW	GA0401	17000	1
32	LEAD SEAL	21188-002	---	1
33	WIRE - 14 IN.	31311-004	17990	1
34	* ADJUSTING SHIM SET	2X	17090	1
35	RETAINING RING	S362	---	1
OPTIONAL:				
	REPAIR BEARING KIT	48124-902	---	1
	1 OZ RTV SEALANT	18771-106	---	1

* INDICATES PARTS RECOMMENDED FOR STOCK

THE GORMAN-RUPP COMPANY • MANSFIELD, OHIO

**For U.S. and International Warranty Information,
Please Visit www.grpumps.com/warranty
or call:
U.S.: 419-755-1280
International: +1-419-755-1352**

**For Canadian Warranty Information,
Please Visit www.grcanada.com/warranty
or call:
519-631-2870**