

C

Use With: OM-04417
MR-04838

PUBLICATION NUMBER PL-04444-02
April 3, 1998



PUMP MODELS
SM4C65 - X10 460/575/3

MANUAL
PART 2 of 3

PARTS
LIST
WITH
PERFORMANCE CURVE

THE GORMAN-RUPP COMPANY • MANSFIELD, OHIO

GORMAN-RUPP OF CANADA LIMITED • ST. THOMAS, ONTARIO, CANADA Printed in U.S.A.

©Copyright by the Gorman-Rupp Company

PERFORMANCE CURVE – SECTION A

RECORDING MODEL AND SERIAL NUMBERS

Please record the pump model and serial number in the spaces provided below and in the separate Installation/Operation Manual accompanying your pump. Your Gorman-Rupp distributor needs this information when you require parts or service.

Pump Model: _____

Serial Number: _____

WARRANTY INFORMATION

The pump warranty is provided as part of Gorman-Rupp's support program for customers who operate and maintain their equipment as described in this manual and other accompanying literature. Please note that should the equipment be abused or modified to change its performance beyond the original factory specifications, the warranty will become void and any claim will be denied.

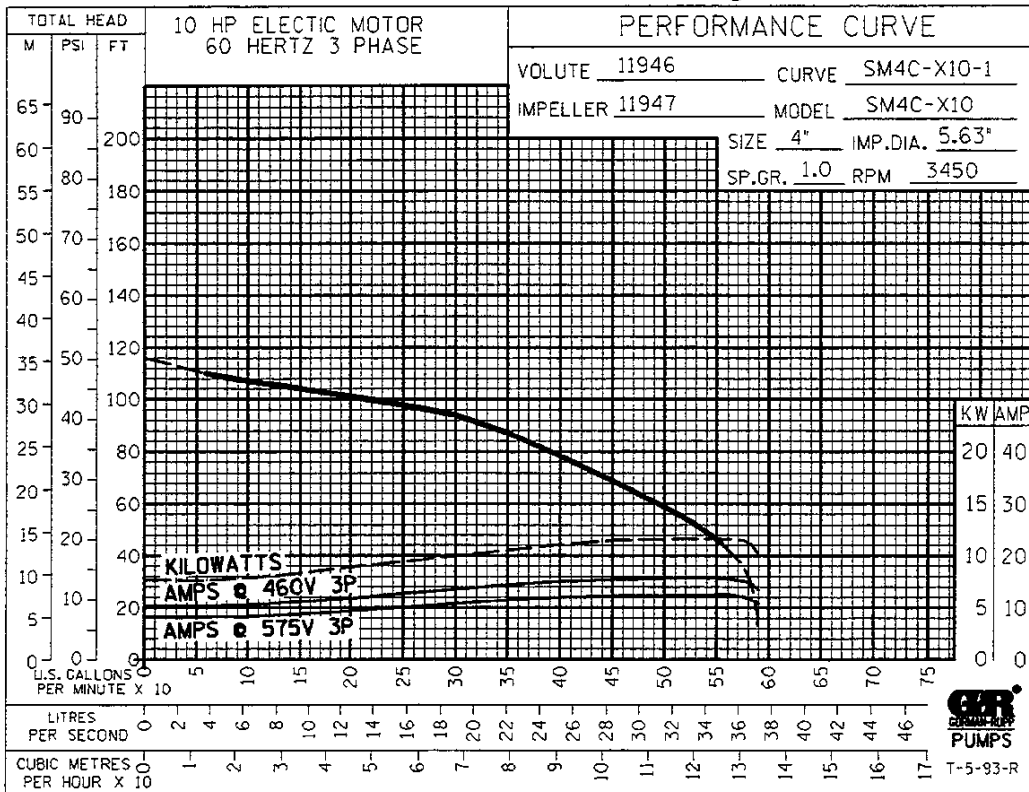
PERFORMANCE CURVES

The performance curve on this page is based on 70° F (21° C) clear water at sea level. Since pump installations are seldom identical, your performance may be different due to such factors as viscosity, specific gravity, elevation, temperature, and impeller trim.

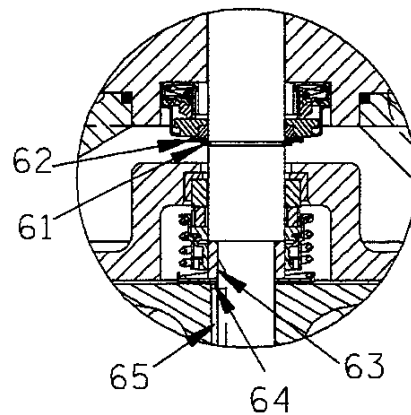
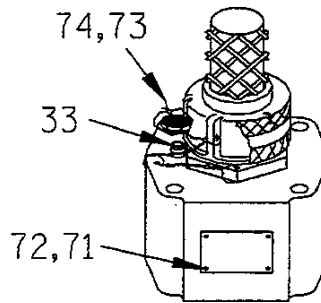
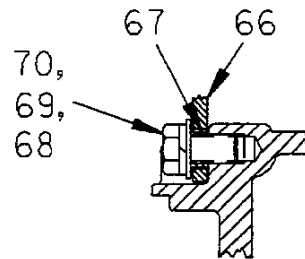
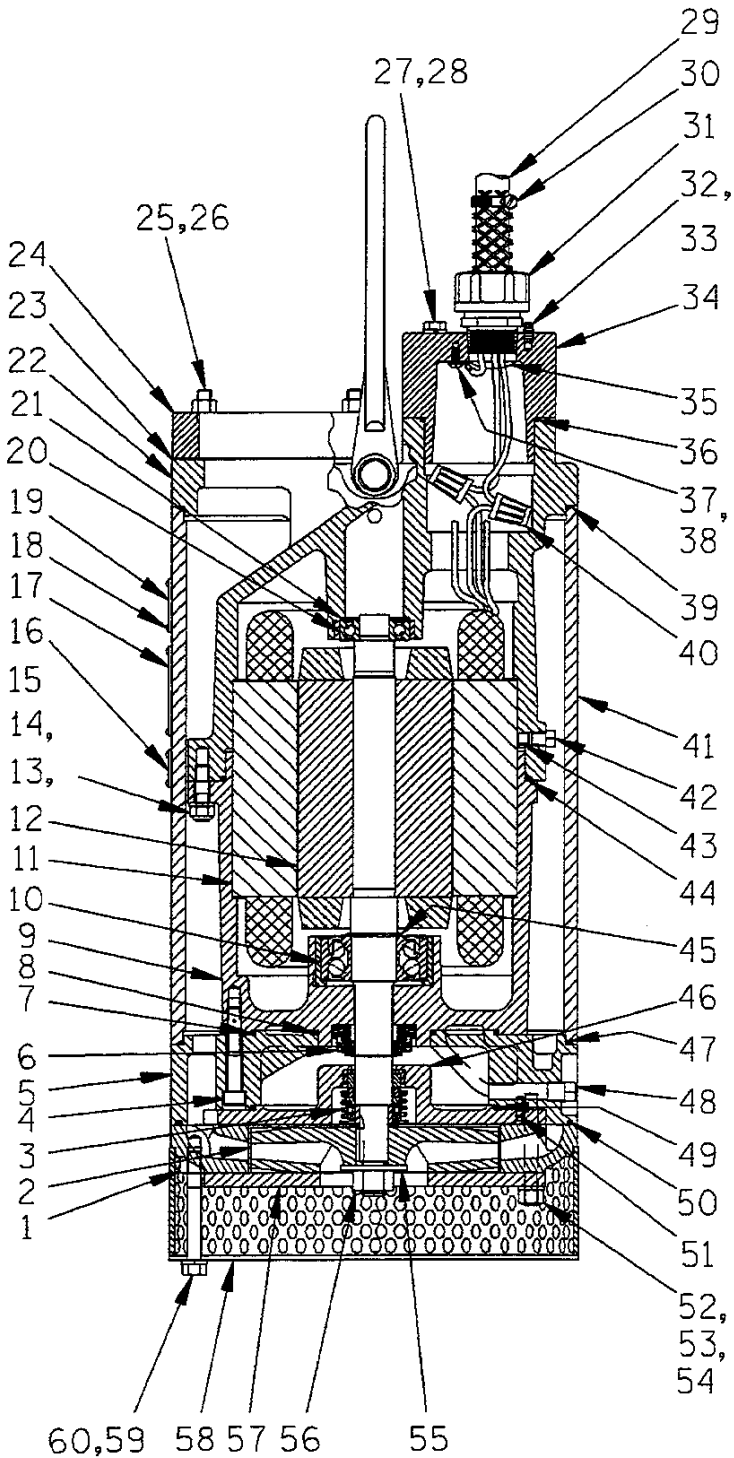
If your pump serial number is followed by an "N", your pump is **NOT** a standard production model. Contact the Gorman-Rupp Company to verify performance or part numbers.



Pump speed and operating condition points must be within the continuous performance range shown on the curve(s).



Performance Curve – Model SM4C65-X10 460/575/3



THE GORMAN-RUPP COMPANY • MANSFIELD, OHIO

GORMAN-RUPP OF CANADA LIMITED • ST. THOMAS, ONTARIO, CANADA Printed in U.S.A.

S/N 1143512 Up
PUMP ISSUE 2

If your pump serial number is followed by an "N", your pump is NOT a standard production model. Contact the Gorman-Rupp Company to verify part numbers.

ITEM NO.	PART NAME	PART NUMBER	MAT'L CODE	QTY	ITEM NO.	PART NAME	PART NUMBER	MAT'L CODE	QTY
1	DIFFUSER	11946	1718H	1	43	A HD SETSCREW	GA0501 1/4	15990	2
2 *	IMPELLER	11947	1718H	1	44 *	MTR HOUSING O-RING	25154-265	----	1
3 *	SEAL ASSEMBLY	46512-070	----	1	45	SNAP RING	S1831	----	1
4	SCKT HD CAPSCREW	DM0609	17090	3	46	SEAL PLATE	13882	1718H	1
5	INTERMEDIATE	38261-027	17040	1	47 *	INTERMEDIATE O-RING	25154-274	----	1
6 *	SEAL ASSEMBLY	25276-031	----	1	48	SEAL CAVITY FILL PLUG	P04	17090	1
7 *	INTERMEDIATE O-RING	25154-259	----	1	49 *	SEAL PLATE O-RING	25154-259	----	1
8 *	INTERMEDIATE O-RING	25154-234	----	1	50 *	DIFFUSER O-RING	25154-274	----	1
9	LWR MOTOR HOUSING	38311-059	17040	1	51	FLT HD MACH SCREW	Y#10-03	17090	3
10 *	LOWER BALL BEARING	23431-303	----	1	52	STUD	C0616	17090	3
11	STATOR				53	LOCKWASHER	J06	17090	3
	-460	47113-845	----	1	54	HEX NUT	D06	17090	3
	-575	47113-842	----	1	55	FLAT WASHER	KB10	17090	1
12	ROTOR & SHAFT ASSY	47112-818	----	1	56 *	IMPELLER NUT	D10S	17090	1
13	STUD	C0606	17090	8	57 *	WEAR PLATE	11948	1718H	1
14	DEFORM LOCKNUT	DD06	17090	8	58	STRAINER ASSY	11969	17050	1
15	LOCKWASHER	J06	17090	8	59	HEX HD CAPSCREW	B0610	17090	3
16	PENN DOER APPL PLATE	2613FL	17040	1	60	LOCKWASHER	J06	17090	3
17 *	MSHA PLATE	2613ES	17040	1	61	RETAINING RING	24124-332	----	1
18	DRIVE SCREW	BM#04-03	17090	12	62 *	ADJ SHIM SET	2X	17090	1
19	NAME PLATE	2613DD	17040	1	63 *	SHAFT SLEEVE	13878	17090	1
20 *	UPPER BALL BEARING	23257-009	----	1	64 *	IMPELLER ADJ SHIM SET	2Y	17090	1
21	SPRING WASHER	S1554	----	1	65 *	IMPELLER KEY	N0303 1/2	17090	1
22	UPPER MOTOR HOUSING	38311-043	17040	1	66	HOIST BAIL	11959	24170	1
23 *	DISCH FLANGE GASKET	11957G	19370	1	67	BAIL BUSHING	9562	17120	2
24	DISCHARGE FLANGE	11957	17070	1	68	FLAT WASHER	KE08	17090	2
25	STUD	C0609	17090	4	69	LOCKWASHER	J08	17090	2
26	HEX NUT	D06	17090	4	70	HEX HD CAPSCREW	B0804	17090	2
27	HEX HD CAPSCREW	B0511	17090	4	71	APPROVAL PLATE	38813-030	17040	1
28	LOCKWASHER	J05	17090	4	72	DRIVE SCREW	BM#04-03	17090	4
29 *	50' CABLE ASSEMBLY	47351-011	----	1	73	SEALING WIRE	14964-103	----	1
30	HOSE CLAMP	26518-766	----	1	74	LEAD SEAL	21188-002	----	1
31	CABLE GRIP ASSY	27111-816	----	1					
32	A HD SETSCREW	GA0401	17090	1					
33	A HD SETSCREW	GA0402	17090	1					
34	TERMINAL HOUSING	38381-225	17040	1					
35	RTV SILICONE SEALANT	18771-106	----	1					
36 *	TERMINAL HSG O-RING	25154-149	----	1					
37	T TYPE LOCKWASHER	AK#10	15991	2					
38	RD HD MACH SCREW	X#10-01 1/2	14990	2					
39 *	PUMP CASING O-RING	25154-274	----	1					
40	CONNECTOR	S1718	----	5					
41	PUMP CASING	38311-806	17040	1					
42	PIPE PLUG	38649-022	17090	2					

NOT SHOWN:									
	VOLTAGE TAG								
	-460V	6588BL	----	1					
	-575V	6588BM	----	1					
	CONTROL BOX								
	-460V	47631-150	----	1					
	-575V	47631-151	----	1					
OPTIONAL:									
	REPAIR BEARING KIT	48124-902	----	1					
	STAGING ADAPTOR KIT	48272-011	----	1					

* INDICATES PARTS RECOMMENDED FOR STOCK

THE GORMAN-RUPP COMPANY • MANSFIELD, OHIO

GORMAN-RUPP OF CANADA LIMITED • ST. THOMAS, ONTARIO, CANADA Printed in U.S.A.

**For U.S. and International Warranty Information,
Please Visit www.grpumps.com/warranty**

or call:

U.S.: 419-755-1280

International: +1-419-755-1352

**For Canadian Warranty Information,
Please Visit www.grcanada.com/warranty**

or call:

519-631-2870

THE GORMAN-RUPP COMPANY • MANSFIELD, OHIO

GORMAN-RUPP OF CANADA LIMITED • ST. THOMAS, ONTARIO, CANADA