

C

Use With: OM-04417
MR-04838

PUBLICATION NUMBER PL-04446-03
March 18, 1998; Rev. A 04/06/98



PUMP MODEL
SM4D18-X10 460/575/3

MANUAL
PART 2 of 3

PARTS
LIST
WITH
PERFORMANCE CURVE

THE GORMAN-RUPP COMPANY • MANSFIELD, OHIO

GORMAN-RUPP OF CANADA LIMITED • ST. THOMAS, ONTARIO, CANADA Printed in U.S.A.

©Copyright by the Gorman-Rupp Company

PERFORMANCE CURVE – SECTION A

RECORDING MODEL AND SERIAL NUMBERS

Please record the pump model and serial number in the spaces provided below and in the separate Installation/Operation Manual accompanying your pump. Your Gorman-Rupp distributor needs this information when you require parts or service.

Pump Model: _____

Serial Number: _____

WARRANTY INFORMATION

The pump warranty is provided as part of Gorman-Rupp's support program for customers who operate and maintain their equipment as described in this manual and other accompanying literature. Please note that should the equipment be abused or modified to change its performance beyond the original factory specifications, the warranty will become void and any claim will be denied.

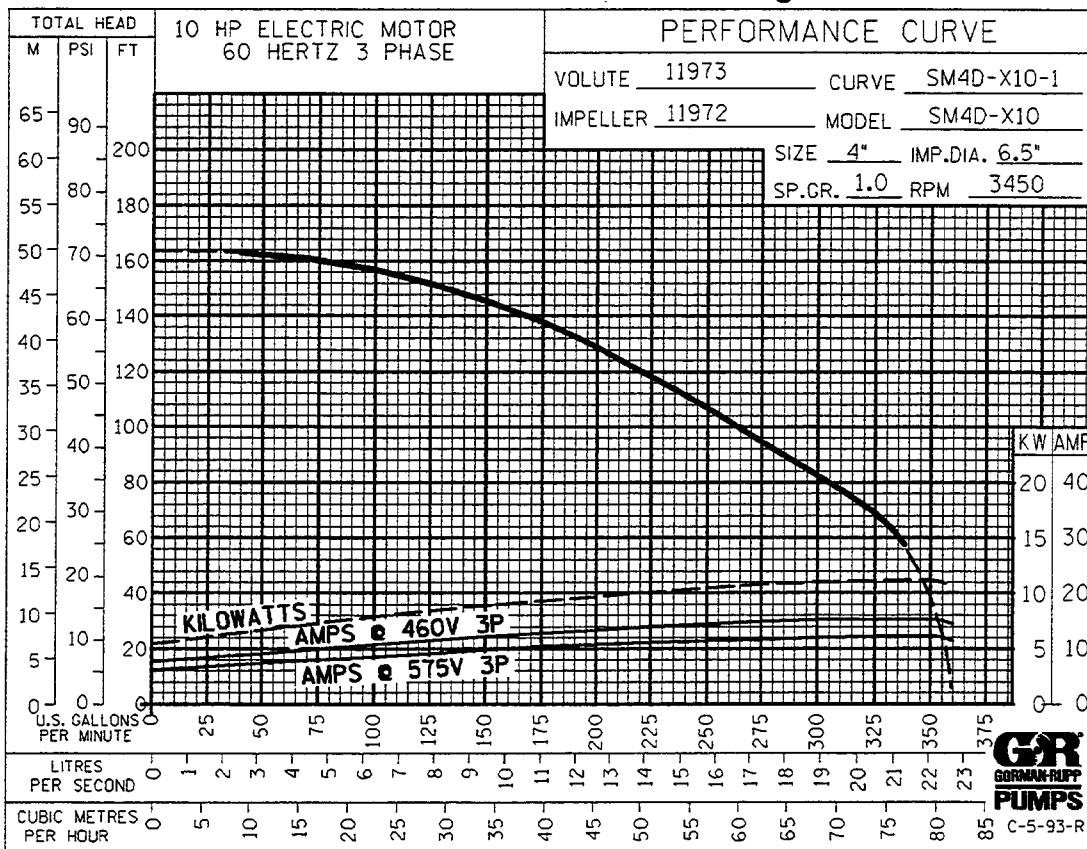
PERFORMANCE CURVES

The performance curve on this page is based on 70° F (21° C) clear water at sea level. Since pump installations are seldom identical, your performance may be different due to such factors as viscosity, specific gravity, elevation, temperature, and impeller trim.

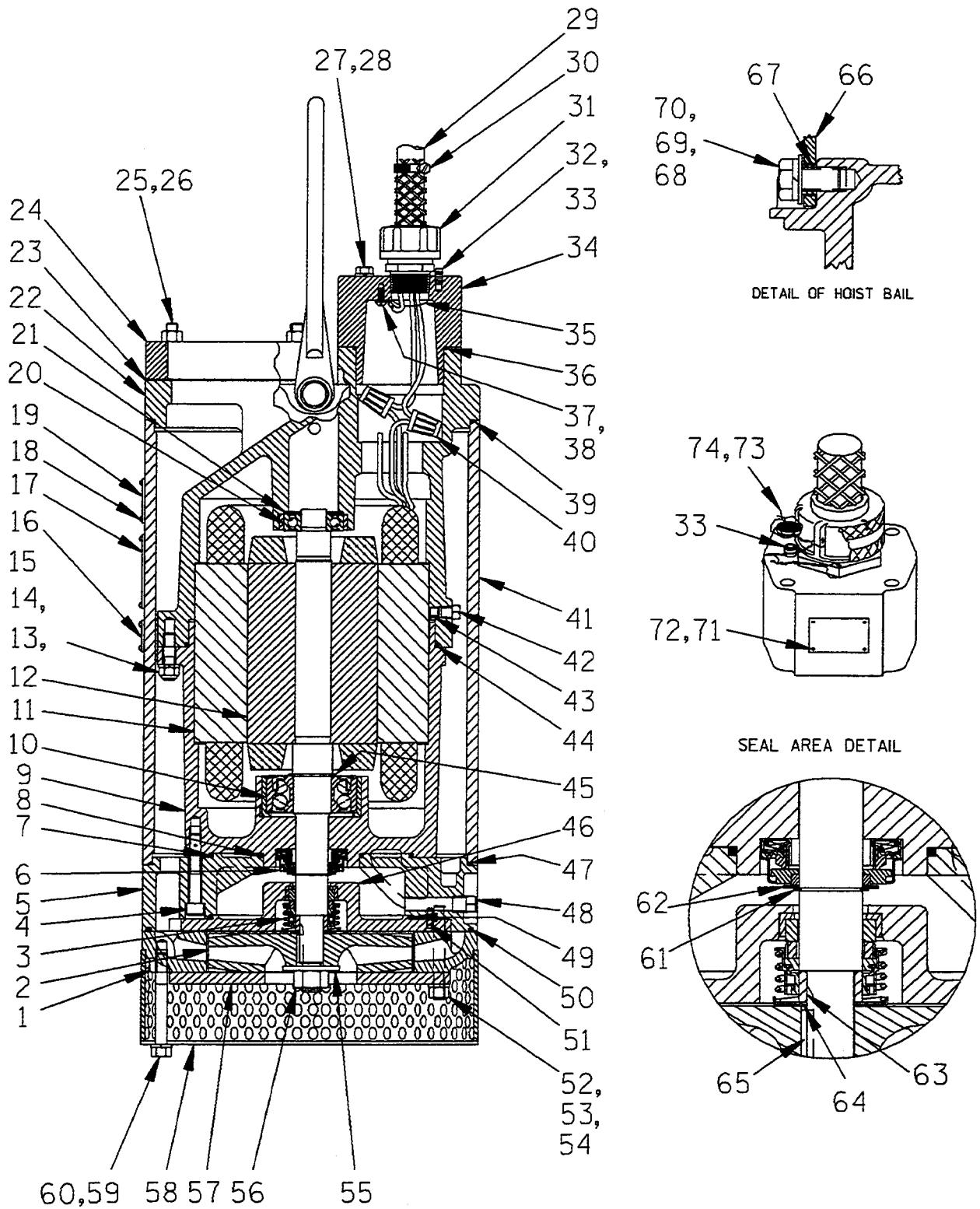
If your pump serial number is followed by an "N", your pump is **NOT** a standard production model. Contact the Gorman-Rupp Company to verify performance or part numbers.



Pump speed and operating condition points must be within the continuous performance range shown on the curve(s).



Performance Curve – Model SM4D18-X10 460/575/3



THE GORMAN-RUPP COMPANY • MANSFIELD, OHIO

GORMAN-RUPP OF CANADA LIMITED • ST. THOMAS, ONTARIO, CANADA

Printed in U.S.A.

March 18, 1998

©Copyright by the Gorman-Rupp Company

1 of 2

Page 154.4 D2

S/N 1143971 Up
PUMP ISSUE 3

If your pump serial number is followed by an "N", your pump is NOT a standard production model. Contact the Gorman-Rupp Company to verify part numbers.

ITEM NO.	PART NAME	PART NUMBER	MAT'L CODE	QTY	ITEM NO.	PART NAME	PART NUMBER	MAT'L CODE	QTY
1	DIFFUSER	11973	1718H	1	43	A HD SETSCREW	GA0501 1/4	15990	2
2 *	IMPELLER	11972	1718H	1	44 *	MOTOR HSG O-RING	25152-265	----	1
3 *	SEAL ASSEMBLY	46512-057	----	1	45	SNAP RING	S1831	----	1
4	SCKT HD CAPSCREW	DM0609	17000	3	46	SEAL PLATE	13882	1718H	1
5	INTERMEDIATE	38261-023	13040	1	47 *	INTERMEDIATE O-RING	S1830	----	1
6 *	SEAL ASSEMBLY	25276-031	----	1	48	SEAL CAVITY FILL PLUG	P04	17000	1
7 *	INTERMEDIATE O-RING	25152-259	----	1	49 *	SEAL PLATE O-RING	25152-259	----	1
8 *	INTERMEDIATE O-RING	25152-234	----	1	50 *	DIFFUSER O-RING	S1830	----	1
9	LWR MOTOR HOUSING	38311-061	13040	1	51	FLT HD MACH SCREW	Y#10-03	17000	3
10 *	LOWER BALL BEARING	23431-303	----	1	52	STUD	C0612	17000	3
11	STATOR				53	LOCKWASHER	J06	17000	3
	-460	47113-845	----	1	54	HEX NUT	D06	17000	3
	-575	47113-842	----	1	55	FLAT WASHER	KB10	17000	1
12	ROTOR & SHAFT ASSY	47112-819	----	1	56 *	IMPELLER NUT	D10S	17000	1
13	STUD	C0606	17000	8	57 *	WEAR PLATE	11948A	1718H	1
14	DEFORM LOCKNUT	DD06	17000	8	58	STRAINER ASSY	11969	2400V	1
15	LOCKWASHER	J06	17000	8	59	HEX HD CAPSCREW	B0612	17000	3
16	PENN DOER APPL PLATE	2613FL	17020	1	60	LOCKWASHER	J06	17000	3
17 *	MSHA PLATE	2613ES	17020	1	61	RETAINING RING	S362	----	1
18	DRIVE SCREW	BM#04-03	17000	12	62 *	ADJ SHIM SET	2X	17090	1
19	NAME PLATE	2613DD	17020	1	63 *	SHAFT SLEEVE	13878	17020	1
20 *	UPPER BALL BEARING	23257-009	----	1	64 *	IMPELLER ADJ SHIM SET	2Y	17090	1
21	SPRING WASHER	S1554	----	1	65 *	IMPELLER KEY	N0303 1/2	17000	1
22	UPPER MOTOR HOUSING	38311-057	13000	1	66	HOIST BAIL	11959	2400V	1
23 *	DISCH FLANGE GASKET	11957G	20000	1	67	BAIL BUSHING	9562	15991	2
24	DISCHARGE FLANGE	11957	13040	1	68	FLAT WASHER	KE08	17000	2
25	STUD	C0609	17000	4	69	LOCKWASHER	J08	17000	2
26	HEX NUT	D06	17000	4	70	HEX HD CAPSCREW	B0804	17000	2
27	HEX HD CAPSCREW	B0511	17000	4	71	APPROVAL PLATE	38813-030	17020	1
28	LOCKWASHER	J05	17000	4	72	DRIVE SCREW	BM#04-03	17000	4
29 *	50' CABLE ASSEMBLY	47351-011	----	1	73	SEALING WIRE	14964-003	----	1
30	HOSE CLAMP	26518-766	----	1	74	LEAD SEAL	21188-002	----	1
31	CABLE GRIP ASSY	27111-816	----	1					
32	A HD SETSCREW	GA0401	17000	1		NOT SHOWN:			
33	A HD SETSCREW	GA0402	17000	1		VOLTAGE TAG			
34	TERMINAL HOUSING	38381-225	13040	1		-460V	6588BL	----	1
35	RTV SILICONE SEALANT	18771-106	----	1		-575V	6588BM	----	1
36 *	TERMINAL HSG O-RING	25154-149	----	1		CONTROL BOX			
37	T TYPE LOCKWASHER	AK#10	15991	2		-460V	47631-150	----	1
38	RD HD MACH SCREW	X#10-01 1/2	14990	2		-575V	47631-151	----	1
39 *	PUMP CASING O-RING	S1830	----	1		OPTIONAL:			
40	CONNECTOR	S1718	----	5		REPAIR BEARING KIT	48124-902	----	1
41	PUMP CASING	38311-306	13175	1		STAGING ADAPTOR	48272-012	----	1
42	PIPE PLUG	38649-022	17030	2					

* INDICATES PARTS RECOMMENDED FOR STOCK

THE GORMAN-RUPP COMPANY • MANSFIELD, OHIO

GORMAN-RUPP OF CANADA LIMITED • ST. THOMAS, ONTARIO, CANADA

Printed in U.S.A.

**For U.S. and International Warranty Information,
Please Visit www.grpumps.com/warranty
or call:
U.S.: 419-755-1280
International: +1-419-755-1352**

**For Canadian Warranty Information,
Please Visit www.grcanada.com/warranty
or call:
519-631-2870**