



Priming Assisted Centrifugal Pump

Model PA14B60C-B

Size 14" x 14"



PUMP SPECIFICATIONS

Size: 14" x 14" (355,6 mm x 355,6 mm) Flanged.

Casing: Ductile Iron 65-45-12.

Maximum Operating Pressure 99 psi (683 kPa).*

Enclosed Type, Four Vane Impeller: Ductile Iron 80-55-06.

Handles 3 1/2" (88,9 mm) Diameter Spherical Solids.

Suction Spool: Gray Iron 30.

Impeller Shaft: Alloy Steel 4150M.

Replaceable Wear Ring: Ductile Iron 65-45-12.

Bearing Pedestal: Gray Iron 30.

Seal Plate: Ductile Iron 65-45-12.

Shaft Sleeve: Stainless Steel 303/304.

Priming Chamber: Gray Iron 30 Housing w/Stainless Steel Float and Linkage.

Discharge Check Valve: Ductile Iron Housing with Welded Nickel Seat and and Buna-N Flapper.

Radial Bearing: Open Single Row Straight Roller.

Radial/Thrust Bearing: Open Double Row Ball.

Bearing Cavity Lubrication: Lithium EP2 Grease.

Gaskets: Resistant Synthetic Rubber, Vegetable Fiber w/Compressed Synthetic Fibers.

O-Rings: Buna-N.

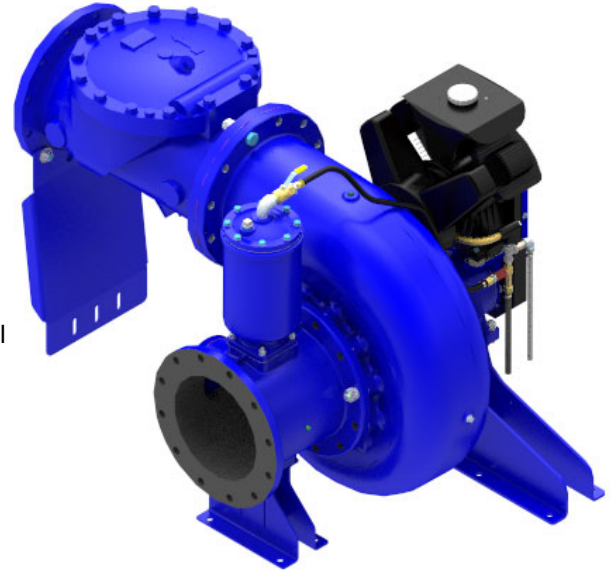
Hardware: Standard Plated Steel.

Seal Cavity Oil Level Sight Gauges.

**Consult Factory for Applications Exceeding Maximum Pressure and/or Temperature Indicated.*

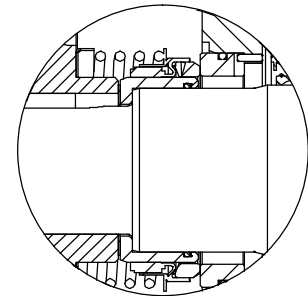
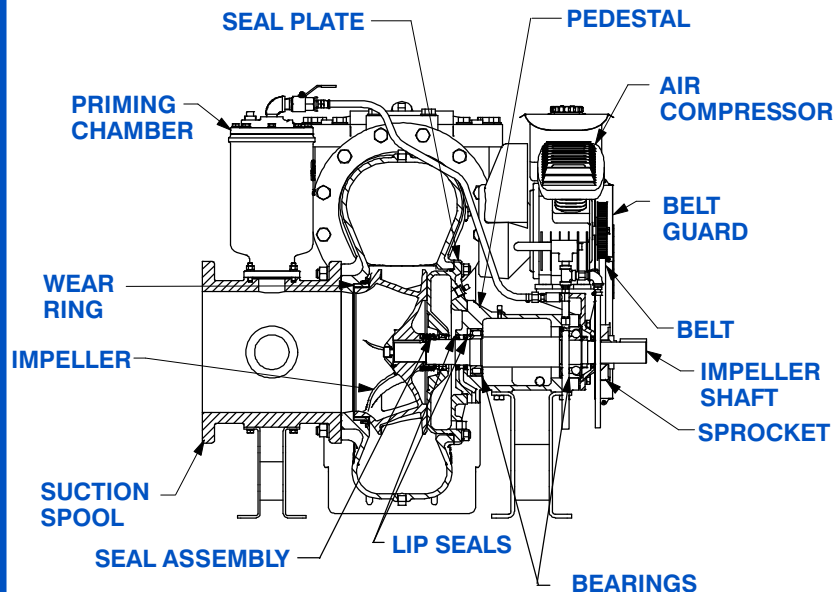
Standard Equipment: Belt Driven Air Compressor.

Optional Equipment: Base. Coupling. TEFC Motor. Suction Vacuum and Discharge Pressure Gauge Kit.



WARNING!

Do not use in explosive atmosphere or for pumping volatile flammable liquids.



SEAL DETAIL

Mechanical, SAE 30 Non-Detergent Oil-Lubricated. Silicon Carbide Rotating Face and Stationary Seat. Fluorocarbon Elastomers (DuPont Viton® or Equivalent). Stainless Steel 316 Cage and Stainless Steel 18-8 Spring. Maximum Temperature of Liquid Pumped 160°F (71°C).*



GORMAN-RUPP PUMPS

www.grpumps.com

Specifications Subject to Change Without Notice

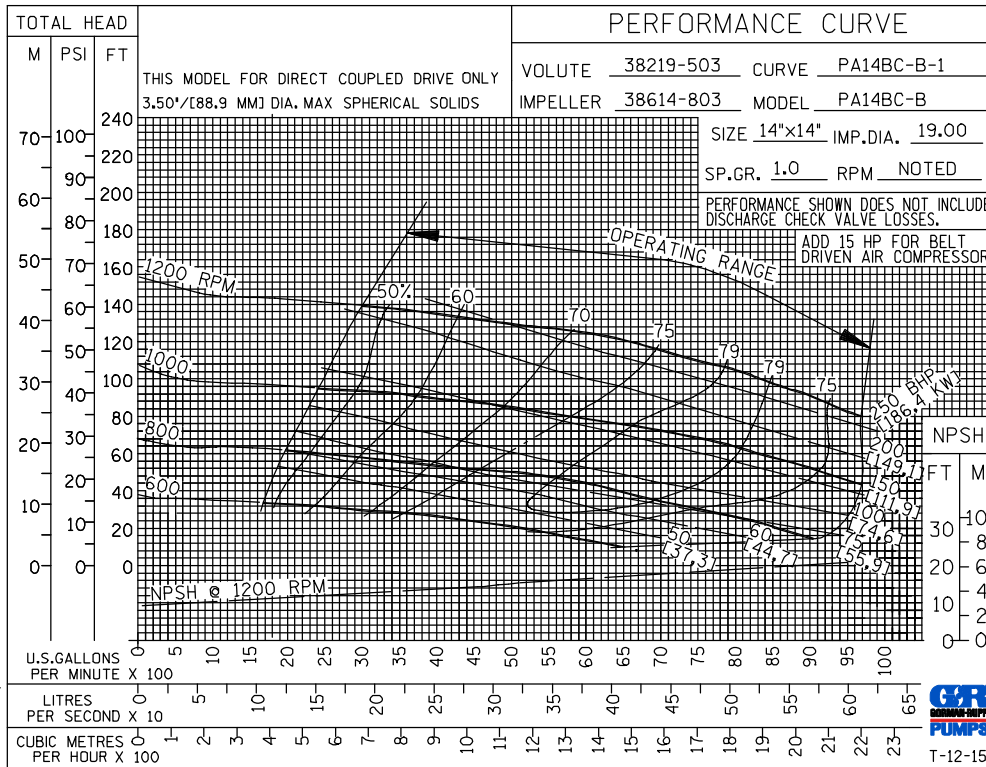
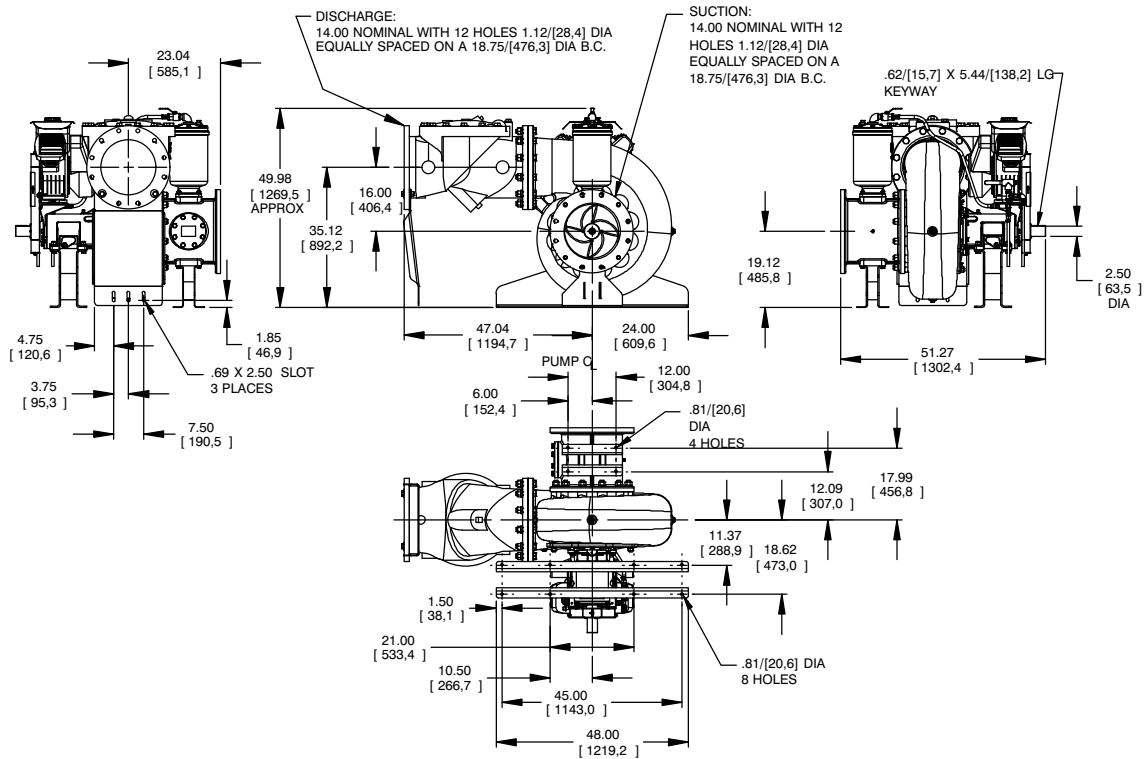
Printed in U.S.A.

Specification Data

APPROXIMATE DIMENSIONS and WEIGHTS

NET WEIGHT: 3250 LBS. (1474,1 KG.)
SHIPPING WEIGHT: 3500 LBS. (1587,6 KG.)
EXPORT CRATE SIZE: 166 CU. FT. (4,7 CU. M.)

SECTION 42, PAGE 1889



GORMAN-RUPP PUMPS

www.grpumps.com

Specifications Subject to Change Without Notice

Printed in U.S.A.