



Diesel Engine Driven Self Priming Centrifugal Pump Model T6A60S-4045T S5-ESP Size 6" x 6"



Total Head		Capacity of Pump in U.S. Gallons per Minute (GPM) at Continuous Performance			
P.S.I.	Feet				
56.4	130	560	560	560	560
52.0	120	730	760	760	760
43.3	100	750	1050	1170	1170
34.7	80	760	1060	1290	1460
26.0	60	770	1070	1300	1500
17.3	40	780	1080	1310	1510
Suction Lift		25'	20'	15'	10'

**PUMP SPECIFICATIONS**

Size: 6" x 6" (152 mm x 152 mm) NPT Male.

Casing: Gray Iron 30. Maximum Operating Pressure 98 psi (675 kPa).*

Semi-Open Type, Two Vane Impeller: Ductile Iron 65-45-12.

Handles 3" (76.2 mm) Diameter Spherical Solids.

Impeller Shaft: Stainless Steel 17-4 PH.

Replaceable Wear Plate: Carbon Steel ASTM36.

Removable Adjustable Cover Plate: Gray Iron 30; 50 lbs. (23 kg).

Flap Valve: Neoprene w/Steel Reinforcing.

Seal Plate: Gray Iron 30.

Seal: Cartridge Type, Mechanical, Oil-Lubricated, Double Floating, Self-Aligning. Silicon Carbide Rotating and Stationary Faces. Stainless Steel 316 Stationary Seat. Fluorocarbon Elastomers (DuPont Viton® or Equivalent). Stainless Steel 18-8 Cage and Spring. Maximum Temperature of Liquid Pumped 160°F (71°C).*

Bearing Housing: Gray Iron 30.

Radial Bearing: Open Single Ball.

Thrust Bearing: Open Double Ball.

Bearing and Seal Cavity Lubrication: SAE 30 Non-Detergent Oil.

Flanges: Gray Iron 30.

Gaskets: Buna-N, Compressed Synthetic Fibers, PTFE, Vegetable Fiber, Cork, and Rubber.

O-Rings: Buna-N.

Hardware: Standard Plated Steel.

Brass Pressure Relief Valve.

Bearing and Seal Cavity Oil Level Sight Gauges.

*Consult Factory for Applications Exceeding Maximum Pressure and/or Temperature Indicated.

Standard Equipment: Soundproof (EPA Average 73 dBA at 23 feet [7 meters] Under Load) Lightweight Aluminum Enclosure - Removable for Maintenance of Pump or Engine - w/Padlockable Door Panels. Spill Containment Base w/Integral Drains. Automatic Air Release Valve with Check Valve. 90° Discharge Elbow. Strainer. [Full Feature Control Panel Single Ball Type Float Switch.](#)**

Optional Equipment: Battery. Suction Vacuum and Discharge Pressure Gauge Kit. G-R Hard Iron Impeller, Seal Plate and Wear Plate. Single Axle Pneumatic-Tired Wheel Kit w/w/o DOT-Approved Lights and Electric Brakes. [Tandem Axle Over-the-Road Trailer](#) (Meets DOT Requirements) Available w/Either Electric or Hydraulic Surge Brakes, Running Lights, Jack Stands and Safety Cables/Chains. Submersible Transducer Liquid Level Sensor.

**50 Ft. (15 m) Standard Length; Dual Switches and Alternate Cable Lengths Available From the Factory.

**ENGINE SPECIFICATIONS**

Model: John Deere 4045T.

EPA Tier: Stage 5.

Type: Four Cylinder, Turbocharged, Diesel Engine.

Displacement: 275 Cu. In. (4,5 liters).

Lubrication: Forced Circulation.

Air Cleaner: Dry Type.

Fuel Tank: 70 U.S. Gals. (265 liters).

Full Load Operating Time: 24 Hrs.

Starter: 12V Electric.

Standard Features: Muffler w/Guard and Weather Cap, DOC/DPF Exhaust After-Treatment System.

Optional: Electronic Fuel Level Sensor.

Engine Control Features: Padlockable Box with Throttle Control, Tachometer, Coolant Temperature, Oil Pressure, Voltage and Overstart Indicators/Shut-downs. Manual/Stop/Auto Keyswitch. Audible Startup Warning Delay. Fuel Level Display/Alarm/Shutdown.

JOHN DEERE PUBLISHED PERFORMANCE:

Maximum Net Continuous BHP

74 (55 kW) @ 2400 RPM



GORMAN-RUPP PUMPS

www.grpumps.com

Specifications Subject to Change Without Notice

Printed in U.S.A.

Specification Data

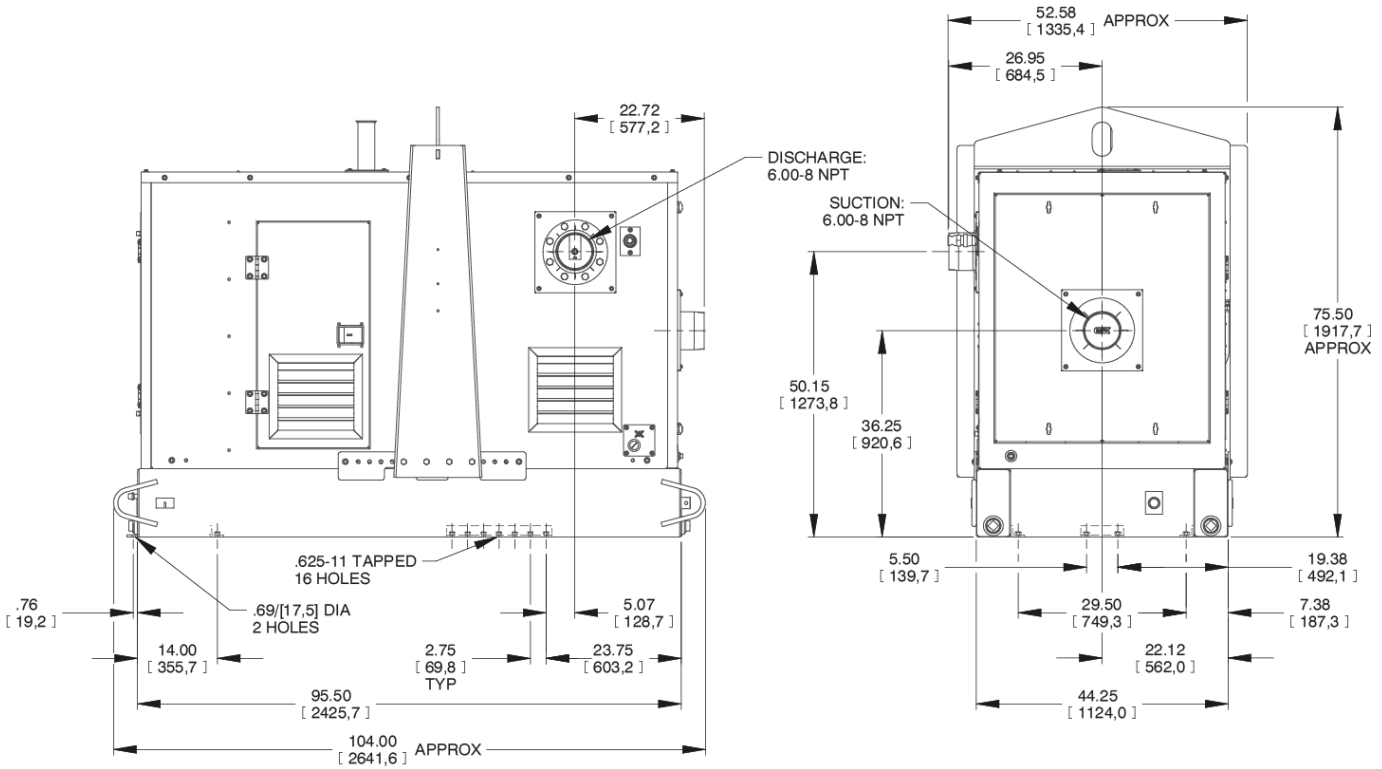
SECTION 45, PAGE 1564

APPROXIMATE
DIMENSIONS and
WEIGHTS

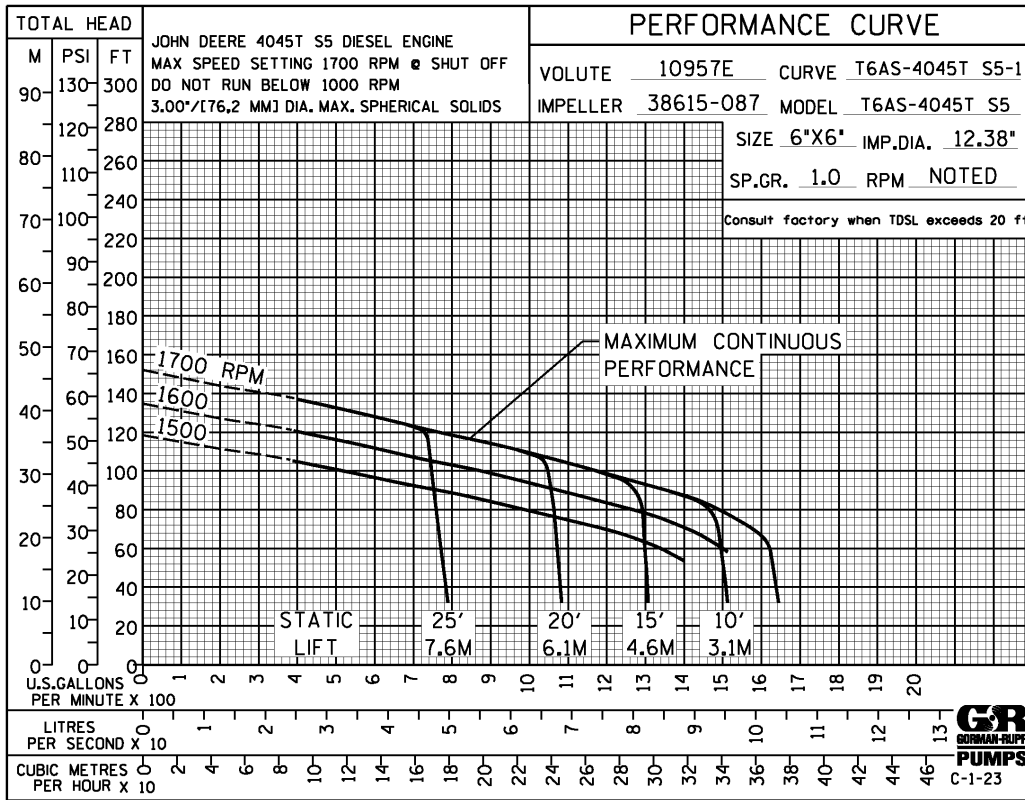
NET WEIGHT:
SHIPPING WEIGHT:
EXPORT CRATE SIZE:

SKID BASE

4220 LBS. (1914 KG.)
4450 LBS. (2019 KG.)
280 CU. FT. (7,9 CU. M.)



POWERED BY: JOHN DEERE 4045T S5 DIESEL ENGINE



GORMAN-RUPP PUMPS

www.grpumps.com

Specifications Subject to Change Without Notice

Printed in U.S.A.