

# Self Priming Centrifugal Pump



## Model 112D60-B

### Size 12" x 12"

#### PUMP SPECIFICATIONS

**Size:** 12" x 12" (305 mm x 305 mm) Flanged.

**Casing:** Gray Iron 30.

Maximum Operating Pressure 94 psi (648 kPa).\*

**Semi-Open Type, Two Vane Impeller:** Ductile Iron 80-60-03.

Handles 3" (76,2 mm) Diameter Spherical Solids.

**Impeller Shaft:** Alloy Steel 4150.

**Replaceable Wear Plate:** Ductile Iron 80-60-03.

**Removable Clean-Out Cover Plate:** Gray Iron 30; 16 lbs. (7,3 kg).

**Suction Elbow:** Gray Iron 30.

**Pedestal:** Gray Iron 30.

**Seal Plate:** Gray Iron 30.

**Shaft Sleeve:** Stainless Steel 304.

**Flap Valve:** Buna-N w/Steel Reinforcement.

**Radial Bearing:** Open Single Row Ball.

**Thrust Bearing:** Open Double Row Ball.

**Bearing and Seal Cavity Lubrication:** SAE 30 Non-Detergent Oil.

**Gaskets:** Vegetable Fiber and Cork w/Buna-N Binder.

**O-Rings:** Buna-N.

**Hardware:** Standard Plated Steel.

**Brass Pressure Relief Valve.**

**Bearing Cavity Oil Level Sight Gauge and Seal Bottle Oiler.**

**Standard Equipment:** Victaulic® Suction Clamp.

10" x 12" (254 mm x 305 mm) Discharge Increaser.

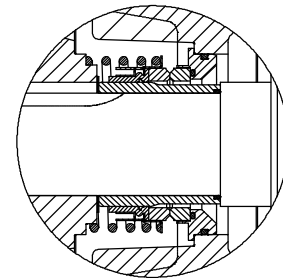
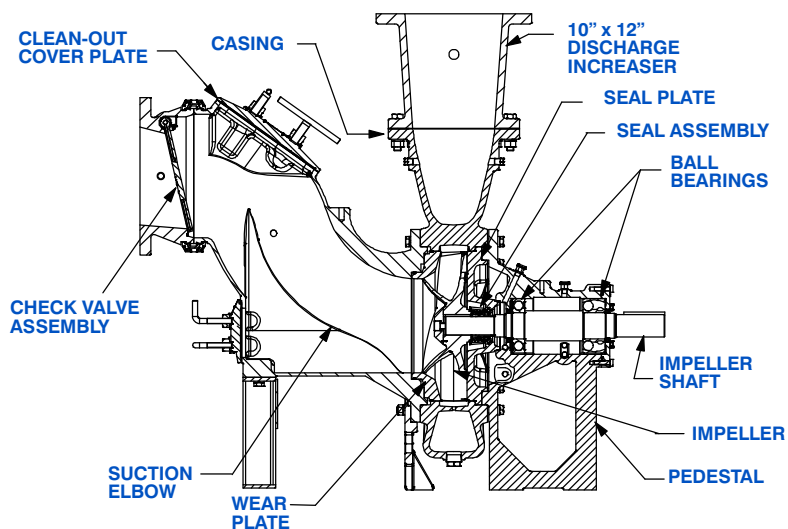
**Optional Equipment:** G-R Hard Iron Impeller, Seal and Wear Plate.

High Pump Temperature Shutdown Kit. 120V/240V Casing Heater.

Sewage Relief Valve. Permalon Seal.

*\*Consult Factory for Applications Exceeding Maximum Pressure and/or Temperature Indicated.*

Victaulic is a Registered Trademark of Victaulic Company of America.



#### SEAL DETAIL

Type 2, Mechanical, Oil-Lubricated, Double, Floating, Self-Aligning. Silicon Carbide Rotating and Stationary Faces. Stainless Steel 316 Stationary Seat. Fluorocarbon Elastomers (DuPont Viton® or Equivalent). Stainless Steel 18-8 Cage and Spring. Maximum Temperature Pumped is 160°F (71°C).\*



## GORMAN-RUPP PUMPS

www.grpumps.com

Specifications Subject to Change Without Notice

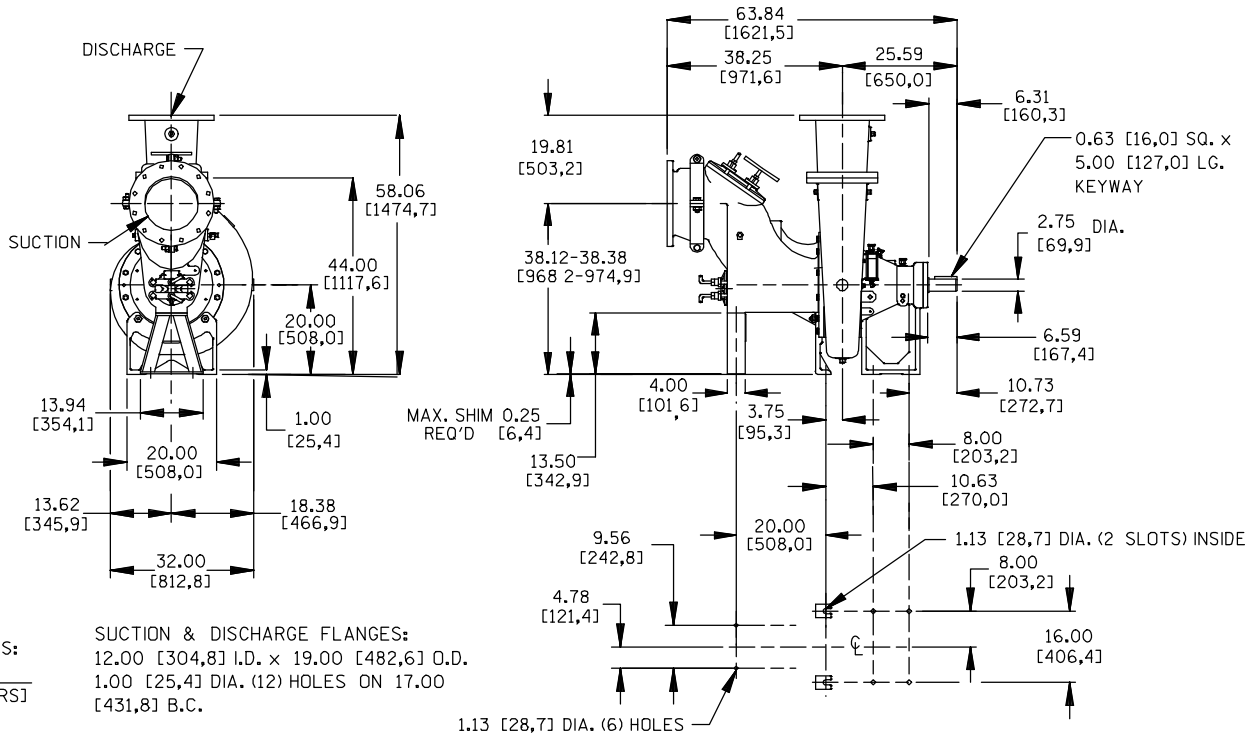
Printed in U.S.A.

**Specification Data**

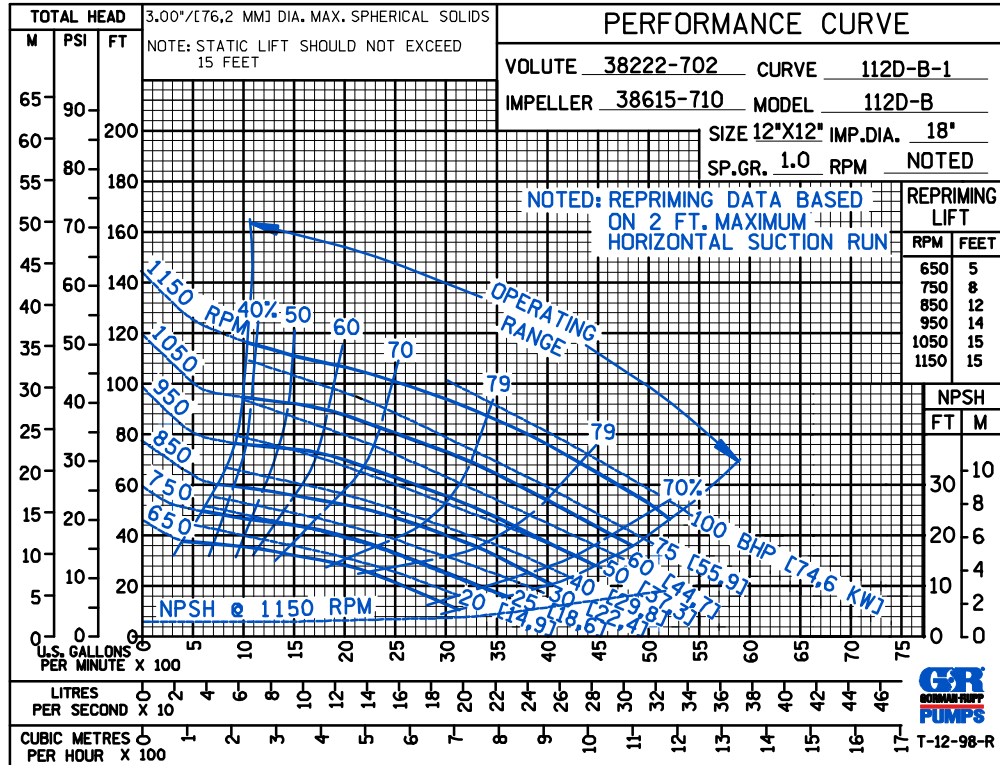
SECTION 50, PAGE 2550

APPROXIMATE DIMENSIONS and WEIGHTS

**NET WEIGHT: 2018 LBS. (915 KG.)**  
**SHIPPING WEIGHT: 2467 LBS. (1119 KG.)**  
**EXPORT CRATE SIZE: 98 CU. FT. (2,8 CU. M.)**



**MULTI-SPEED CURVE PERFORMANCE BASED ON WATER**



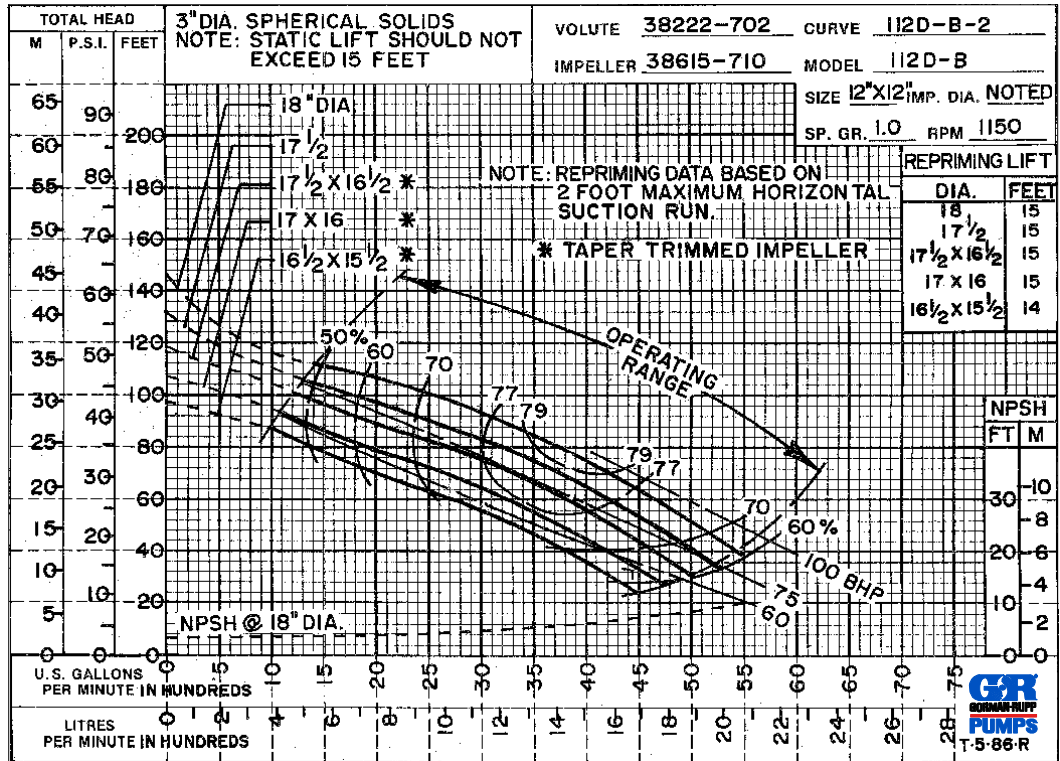
**GORMAN-RUPP PUMPS**

www.grpumps.com

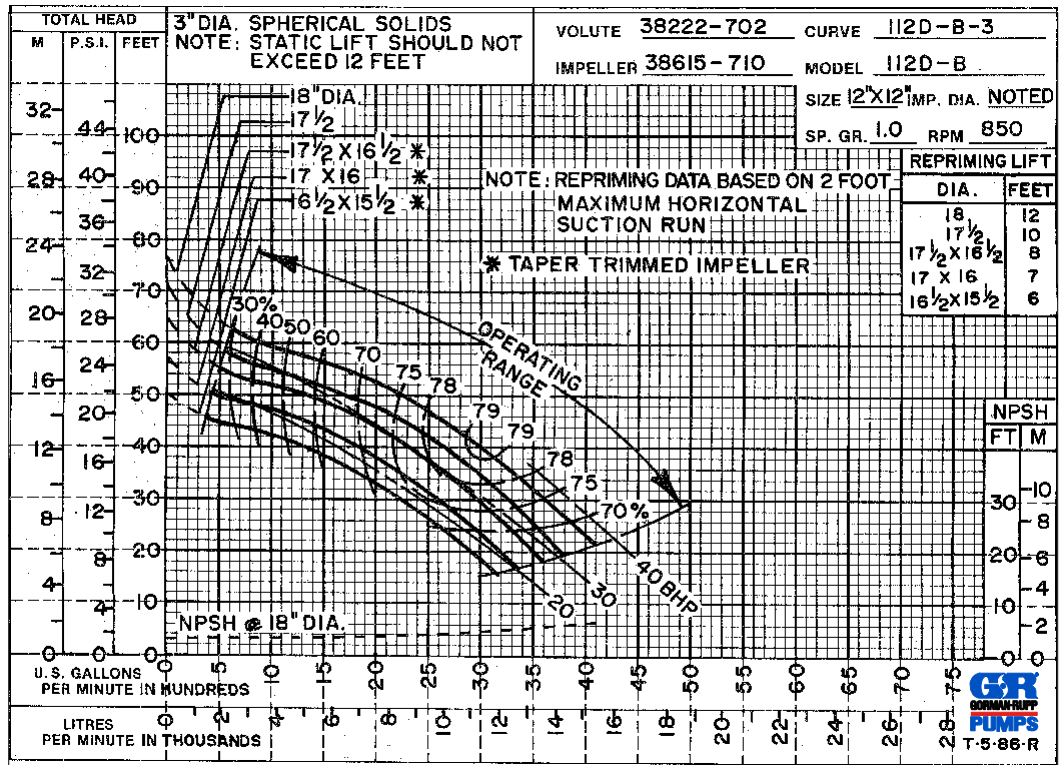
Specifications Subject to Change Without Notice

Printed in U.S.A.

60 HERTZ  
PERFORMANCE  
BASED ON  
WATER  
TRIMMED  
IMPELLER



60 HERTZ  
PERFORMANCE  
BASED ON  
WATER  
TRIMMED  
IMPELLER



GORMAN-RUPP PUMPS

www.grpumps.com

Specifications Subject to Change Without Notice

Printed in U.S.A.