



Basic Pedestal

Standard Centrifugal Pump

Model VG3B3-B

Size 4" x 3"

PUMP SPECIFICATIONS

Size: 4" x 3" (102 mm x 76 mm) Flanged.

Casing: Gray Iron 40.

Maximum Operating Pressure 179 psi (1234 kPa).*

Enclosed Type, Six Vane Impeller: Gray Iron 40.

Handles 13/16" (20,6 mm) Diameter Spherical Solids.

Impeller Shaft: Steel 1045.

Shaft Sleeve: Stainless Steel 420.

Seal Plate: Gray Iron 40.

Bearing Housing: Gray Iron 40.

Radial Bearing: Open Single Row Ball.

Thrust Bearing: Open Double Row Ball.

Bearing Lubrication: SAE 30 Non-Detergent Oil.

Gaskets: Nitrile Rubber.

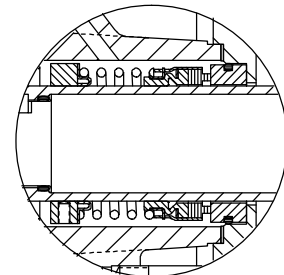
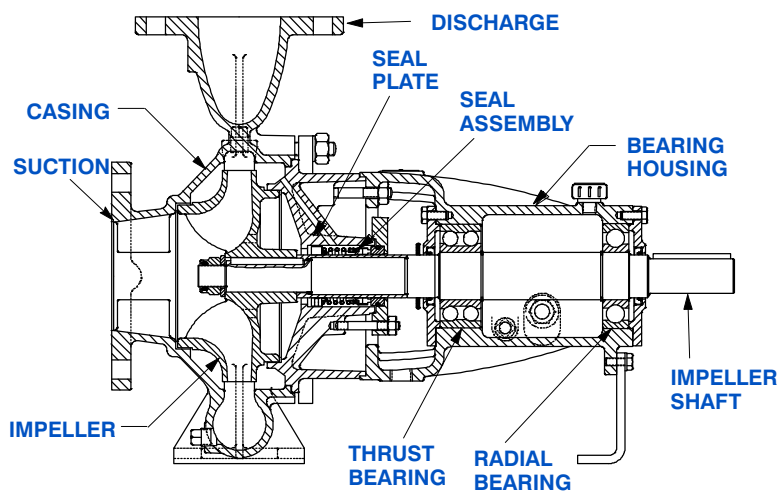
O-Ring: Fluorocarbon (DuPont Viton® or Equivalent).

Hardware: Standard Plated Steel.

Oil Level Sight Gauge.

Optional Equipment: NPT Suction and Discharge Flanges. Strainer. Stainless Steel Impeller. Mechanical Seal with Fluorocarbon Elastomers (DuPont Viton® or Equivalent). Hand Primer.

**Consult Factory for Applications Exceeding Maximum Pressure and/or Temperature Indicated.*



SEAL DETAIL

Type 1, Mechanical, Self-Lubricated. Carbon Rotating Face. Ceramic Stationary Seat. Buna-N Elastomers. Stainless Steel Cage and Spring. Maximum Temperature of Liquid Pumped, 160°F (71°C).*



GORMAN-RUPP PUMPS

www.grpumps.com

Specifications Subject to Change Without Notice

Printed in U.S.A.

Specification Data

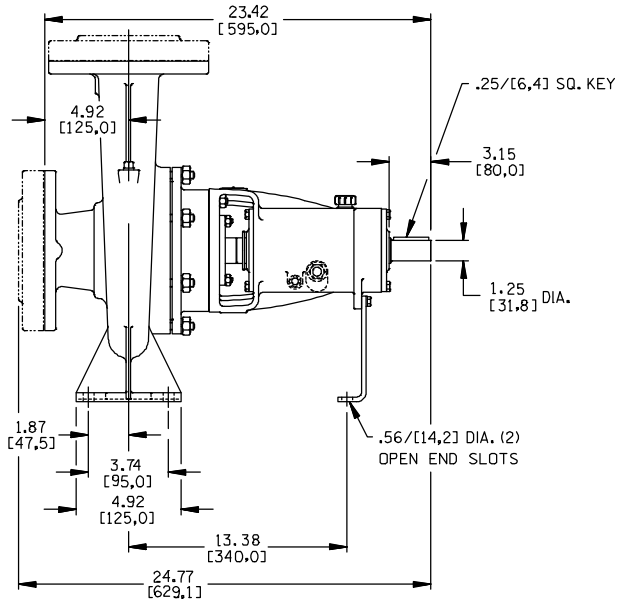
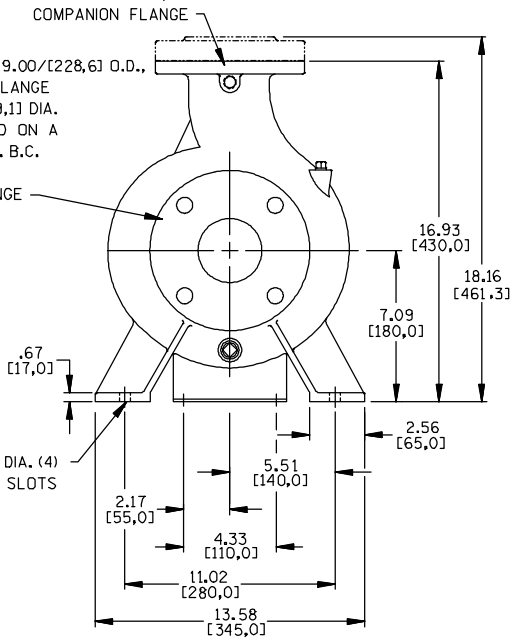
NET WEIGHT: 140 LBS. (63,5 KG.)
SHIPPING WEIGHT: 150 LBS. (68,0 KG.)
EXPORT CRATE SIZE: 11.9 CU. FT. (0,34 CU. M.)

SECTION 70, PAGE 492

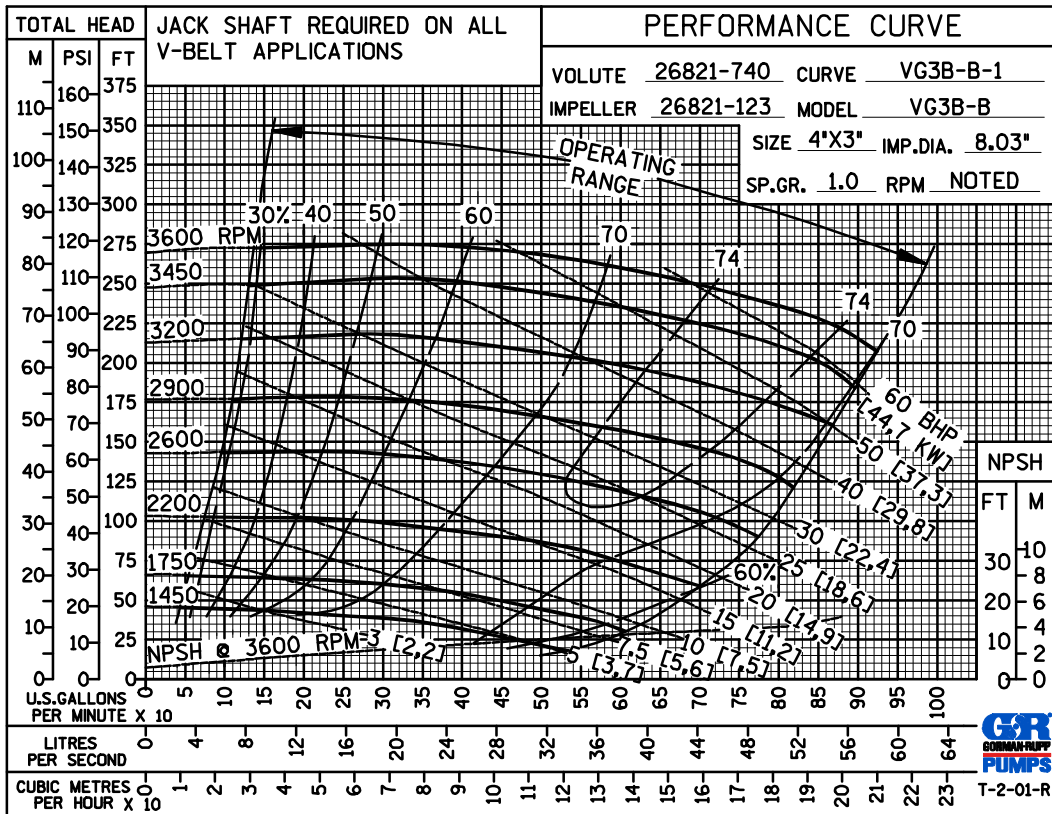
APPROXIMATE
DIMENSIONS and WEIGHTS

DISCHARGE:
 3.00/[76,2] I.D., 7.50/[190,5] O.D., .75/[19,1] THK FLANGE
 4 HOLES .75/[19,1] DIA. EQUALLY SPACED
 ON A 6.00/[152,4] DIA. B.C. OR 3.00" NPT
 COMPANION FLANGE

SUCTION:
 4.00/[101,6] I.D., 9.00/[228,6] O.D.,
 .94/[23,8] THK. FLANGE
 8 HOLES .75/[19,1] DIA.
 EQUALLY SPACED ON A
 7.50/[190,5] DIA. B.C.
 OR 4.00" NPT
 COMPANION FLANGE



DIMENSIONS:
INCHES
[MILLIMETERS]



PERFORMANCE
BASED ON
WATER



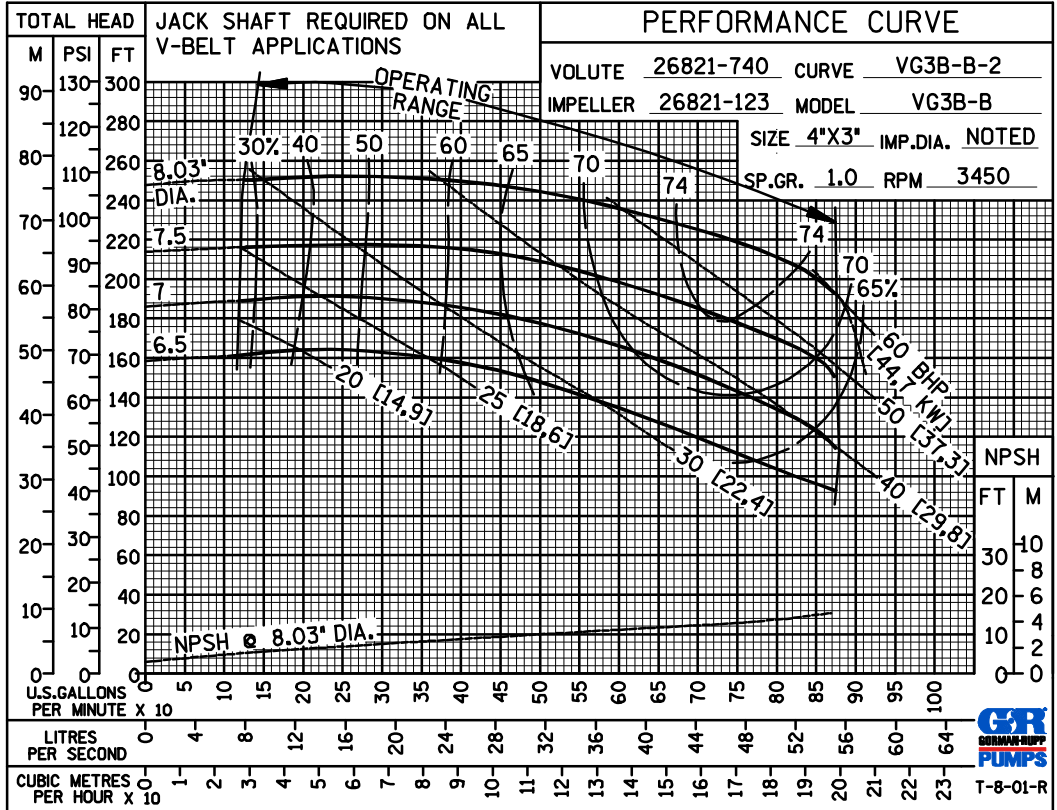
GORMAN-RUPP PUMPS

www.grpumps.com

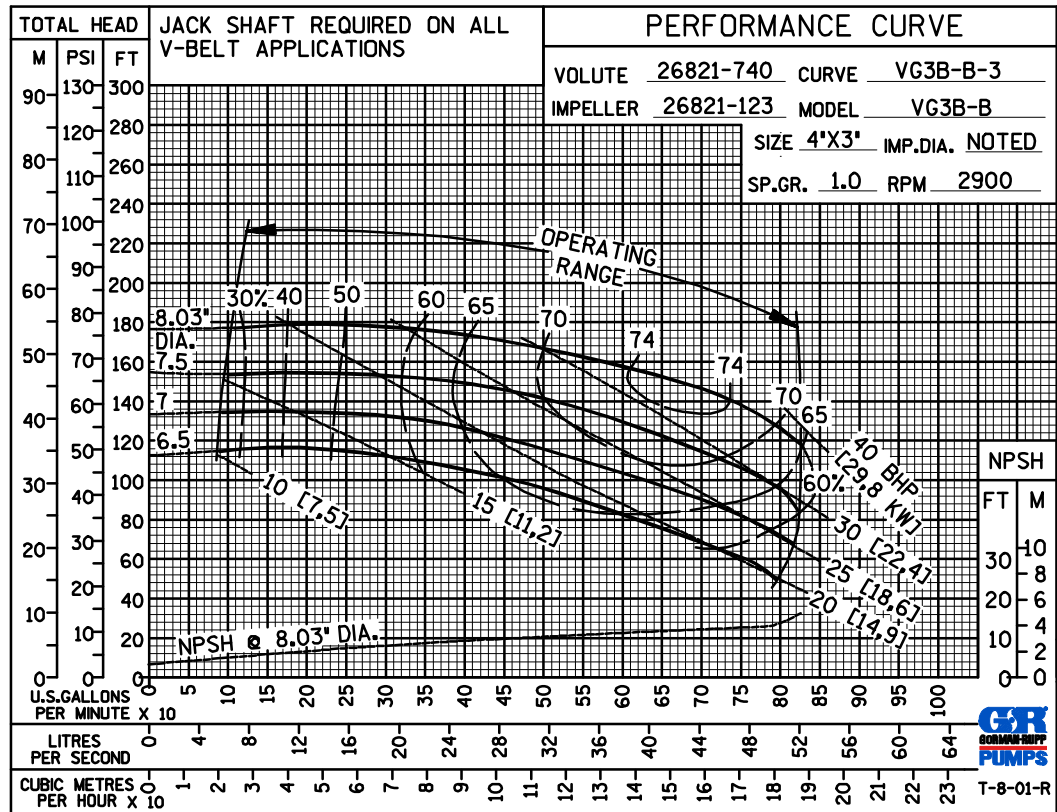
Specifications Subject to Change Without Notice

Printed in U.S.A.

PERFORMANCE
BASED ON
WATER



50 HERTZ
PERFORMANCE
BASED ON
WATER



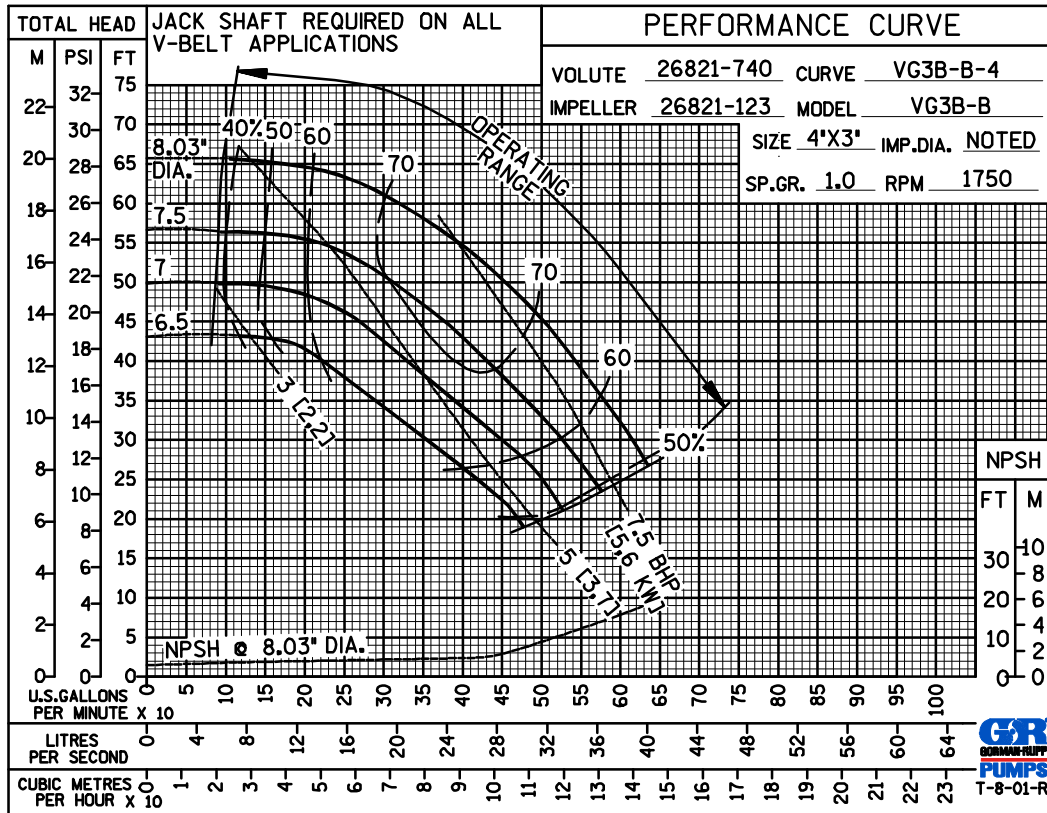
GORMAN-RUPP PUMPS

www.grpumps.com

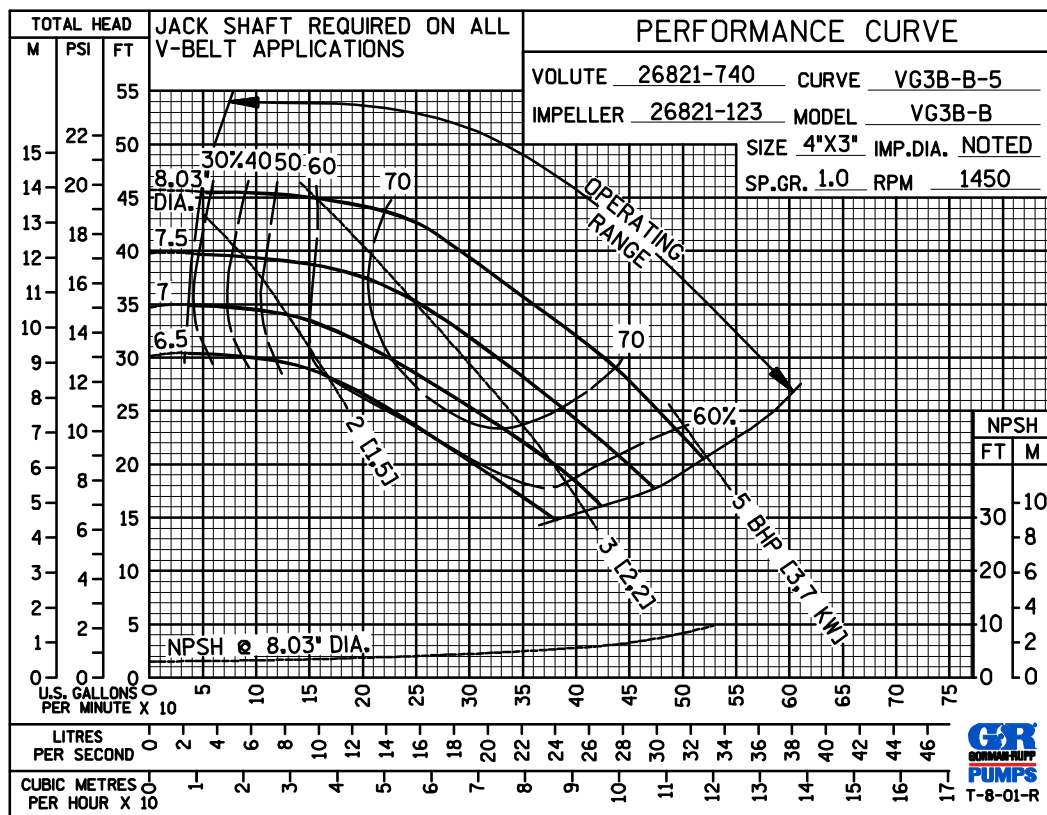
Specifications Subject to Change Without Notice

Printed in U.S.A.

PERFORMANCE
BASED ON
WATER



50 HERTZ
PERFORMANCE
BASED ON
WATER



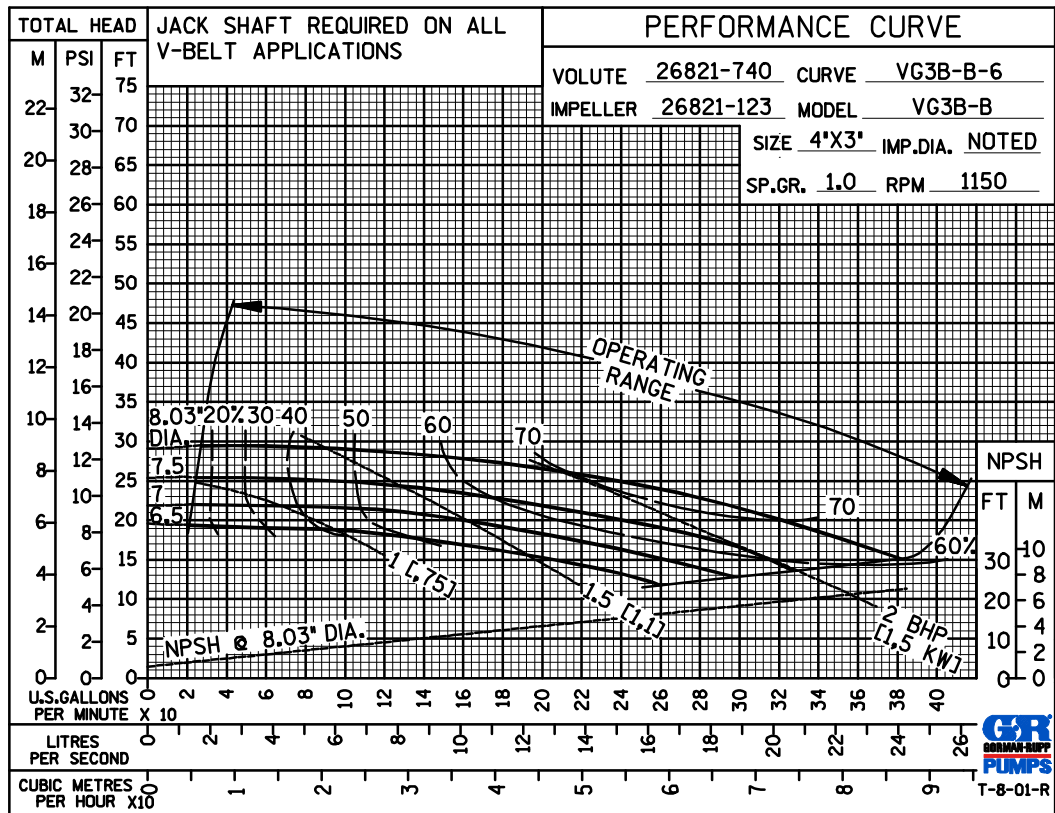
GORMAN-RUPP PUMPS

www.grpumps.com

Specifications Subject to Change Without Notice

Printed in U.S.A.

PERFORMANCE
BASED ON
WATER



GORMAN-RUPP PUMPS

www.grpumps.com

Specifications Subject to Change Without Notice

Printed in U.S.A.