



# Standard Centrifugal Pump

## Model VG4D3-B

### Size 5" x 4"

#### PUMP SPECIFICATIONS

**Size:** 5" x 4" (127 mm x 102 mm) Flanged.

**Casing:** Gray Iron 40.

Maximum Operating Pressure 181 psi (1248 kPa).\*

**Enclosed Type, Six Vane Impeller:** Gray Iron 40.

Handles 5/8" (15,9 mm) Diameter Spherical Solids.

**Impeller Shaft:** Steel 1045.

**Shaft Sleeve:** Stainless Steel 420.

**Seal Plate:** Gray Iron 40.

**Bearing Housing:** Gray Iron 40.

**Radial Bearing:** Open Single Row Ball.

**Thrust Bearing:** Open Double Row Ball.

**Bearing Lubrication:** SAE 30 Non-Detergent Oil.

**Gaskets:** Nitrile Rubber.

**O-Ring:** Fluorocarbon (DuPont Viton® or Equivalent).

**Hardware:** Standard Plated Steel.

**Oil Level Sight Gauge.**

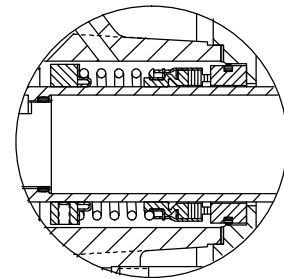
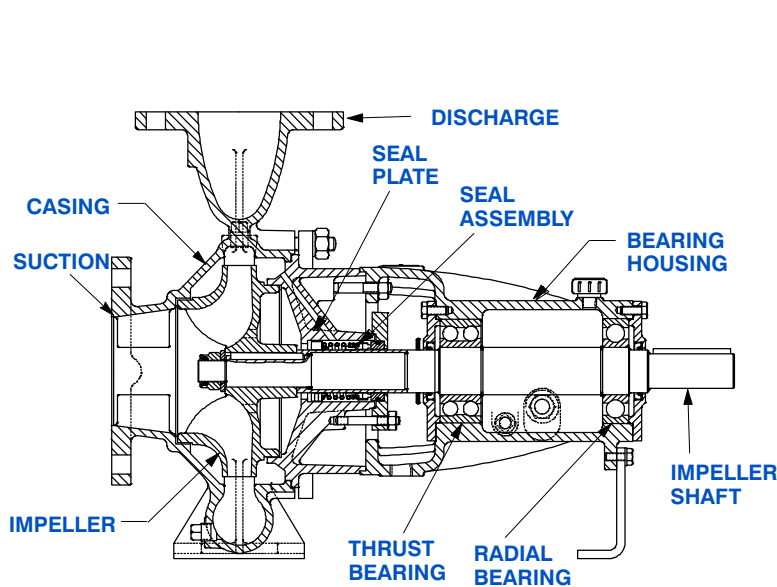
**Optional Equipment:** NPT Suction and Discharge Flanges.

Strainer. Stainless Steel Impeller. Mechanical Seal with

Fluorocarbon Elastomers (DuPont Viton® or Equivalent).

Hand Primer. Manual Discharge Check Valve.

*\*Consult Factory for Applications Exceeding  
Maximum Pressure and/or Temperature Indicated.*



#### SEAL DETAIL

Type 1, Mechanical, Self-Lubricated. Carbon Rotating Face. Ceramic Stationary Seat. Buna-N Elastomers. Stainless Steel Cage and Spring. Maximum Temperature of Liquid Pumped, 160°F (71°C).\*



## GORMAN-RUPP PUMPS

www.grpumps.com

Specifications Subject to Change Without Notice

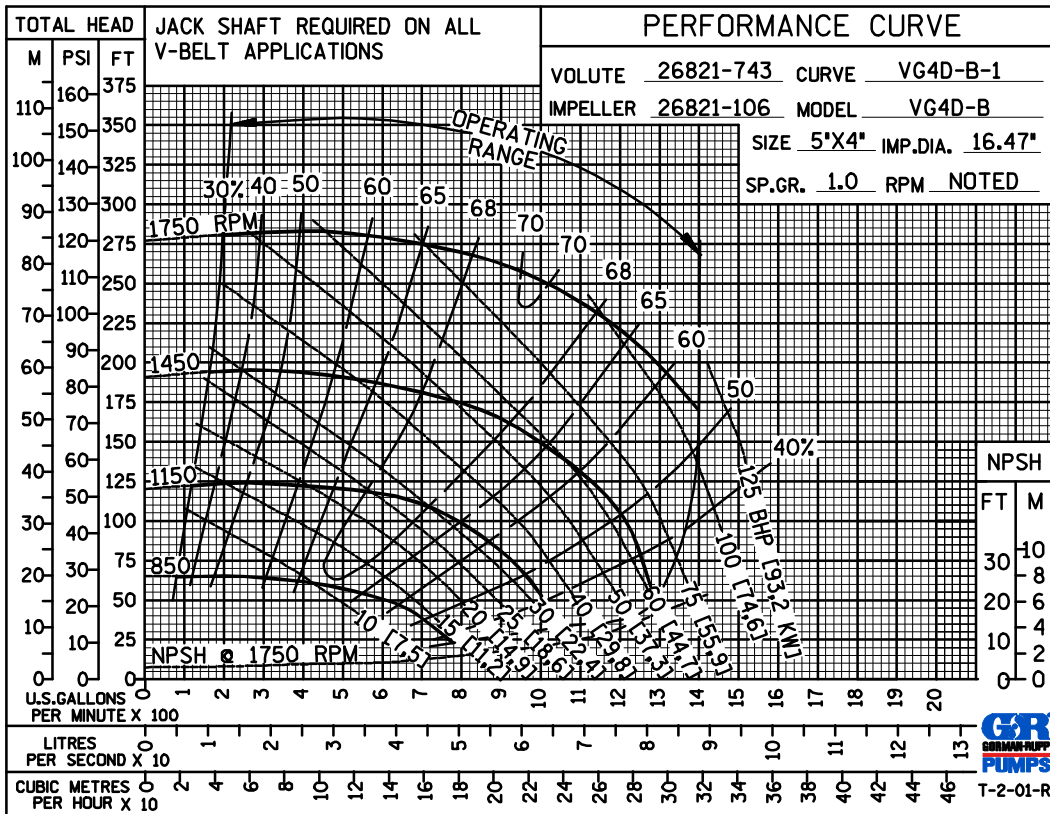
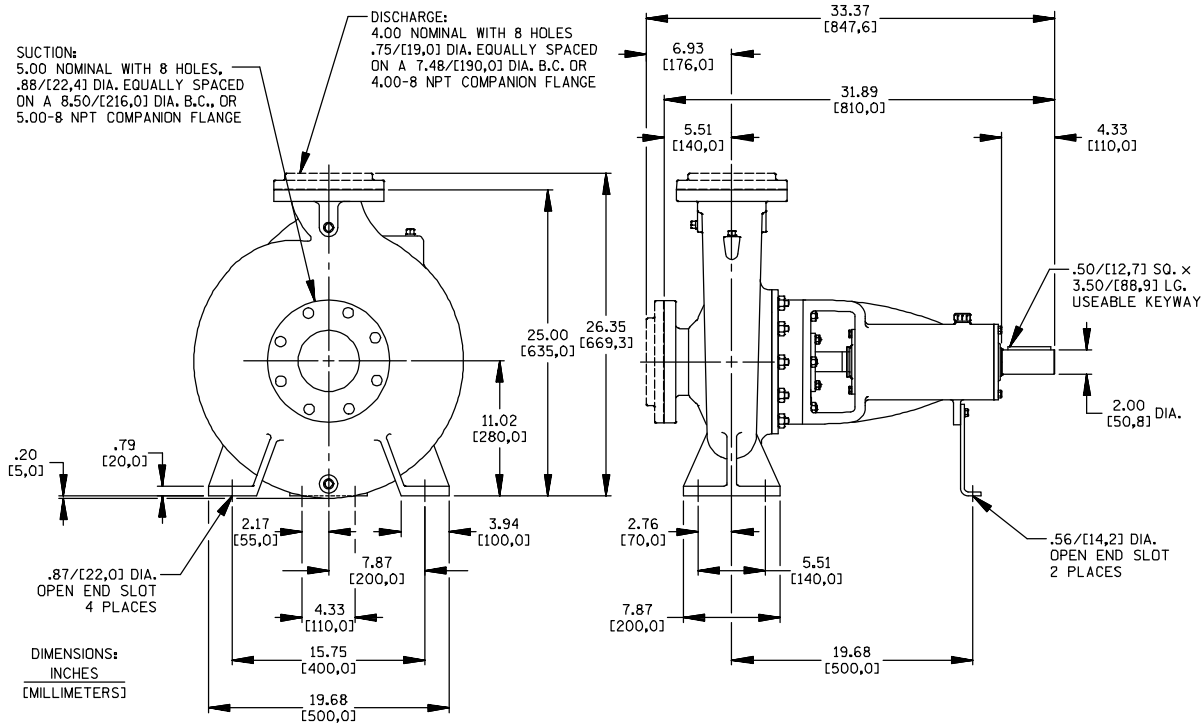
Printed in U.S.A.

**Specification Data**

SECTION 70, PAGE 820

APPROXIMATE DIMENSIONS and WEIGHTS

**NET WEIGHT:** 508 LBS. (230,4 KG.)  
**SHIPPING WEIGHT:** 550 LBS. (257,6 KG.)  
**EXPORT CRATE SIZE:** 13 CU. FT. (0,37 CU. M.)



PERFORMANCE  
 BASED ON  
 WATER



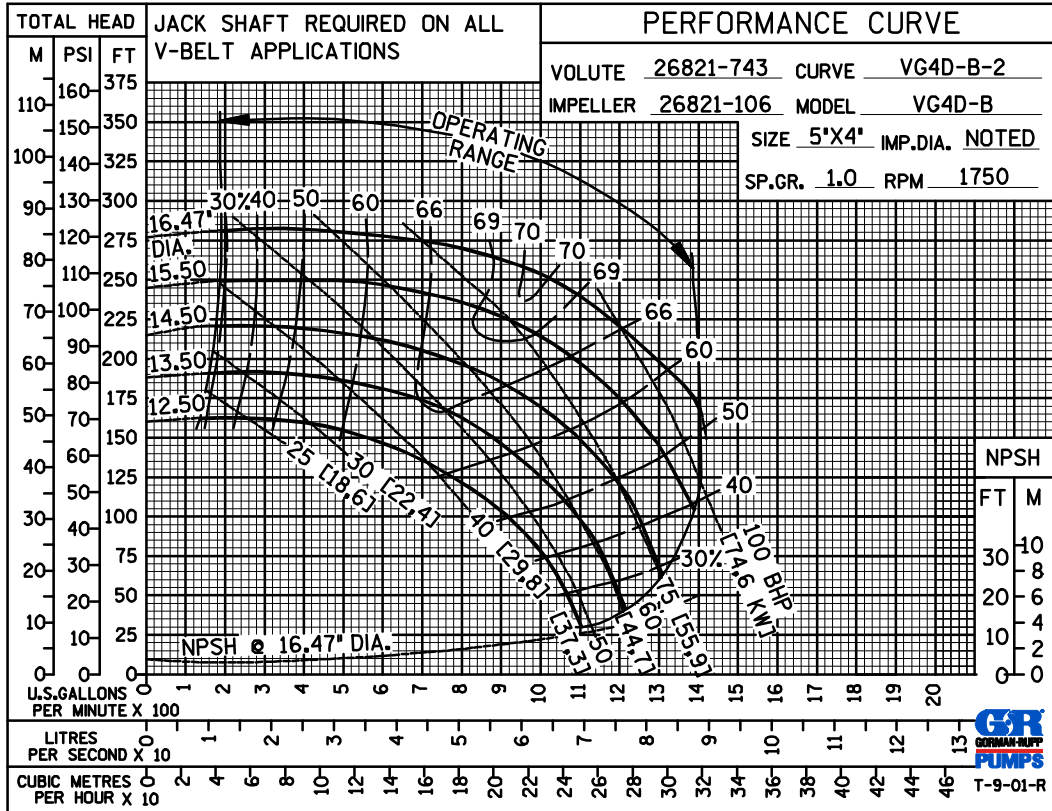
**GORMAN-RUPP PUMPS**

www.grpumps.com

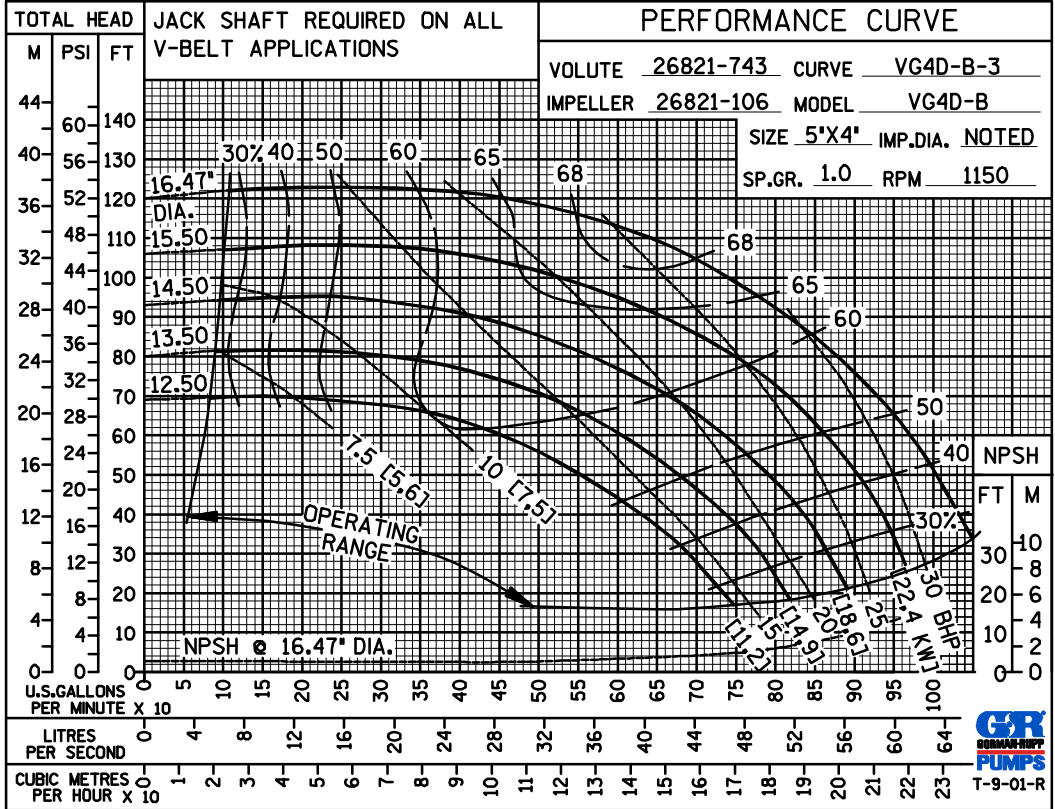
Specifications Subject to Change Without Notice

Printed in U.S.A.

PERFORMANCE  
BASED ON  
WATER



PERFORMANCE  
BASED ON  
WATER



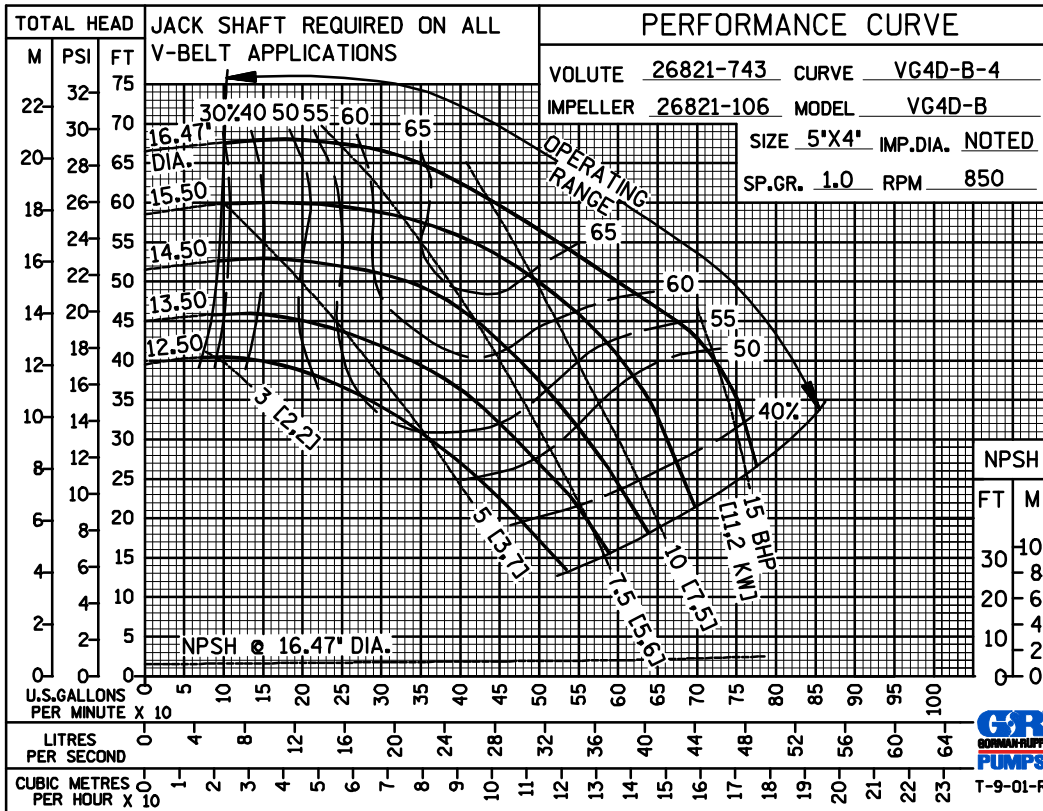
GORMAN-RUPP PUMPS

www.grpumps.com

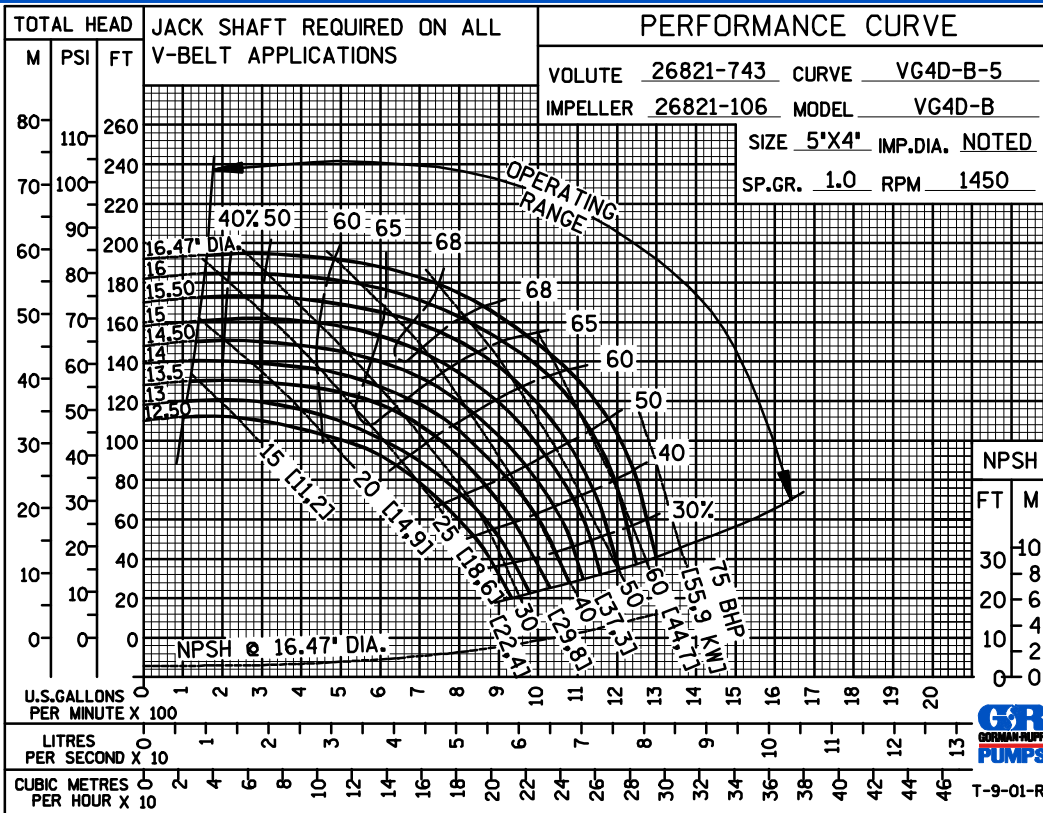
Specifications Subject to Change Without Notice

Printed in U.S.A.

PERFORMANCE  
BASED ON  
WATER



50 HERTZ  
PERFORMANCE  
BASED ON  
WATER



GORMAN-RUPP PUMPS

www.grpumps.com

Specifications Subject to Change Without Notice

Printed in U.S.A.