



# Self Priming Diaphragm Pump

## Models 3D-E1.5 1P and 3D-E1.5 3P

### Size 3" or 2" x 3"



#### PUMP SPECIFICATIONS

**Size:** 3" or 2" x 3" (76 mm or 51 mm x 76 mm)NPT - Female.  
Handles 2 1/4" (57,2 mm) Diameter Spherical Solids  
with 3" (76 mm) NPT Suction.

**Suction Chamber:** Aluminum 356-T6.

**Discharge Flange:** Aluminum 356-T6.

**Gaskets:** Neoprene, Composite Cork and Fiber.

**Eccentric Cam:** Gray Iron 40.

**Eccentric Bearing:** Brass C83600.

**Eccentric Cap:** Aluminum 356-T6.

**Bearing Housing:** Aluminum 356-T6.

**Gearbox Housing:** Aluminum 356-T6.

**Drive Pinion:** Alloy Steel 8620.

**Pinion Shaft:** Alloy Steel 4320.

**Plunger Spring:** Spring Steel 5160.

**Drive Shaft:** Carbon Steel 1020.

**Diaphragm:** DuraBlue® Elastomer.

**Diaphragm Pot:** Aluminum 356-T6.

**Diaphragm Ring:** Aluminum 356-T6.

**Upper Diaphragm Plate:** Gray Iron 30.

**Lower Diaphragm Plate:** Gray Iron 40.

**Flap Valve Seats:** Gray Iron 30.

**Flap Valves:** Neoprene.

**Flap Valve Weights:** Aluminum 356-T6 and Carbon Steel  
ASTM A589.



#### PUMP DATA

**Maximum RPM:** 60.

**BHP Required:** 1.5.

**Gear Ratio:** 30.36:1.

**Mounting:** Wheel Kit <sup>w/</sup>Semi-Pneumatic Tires.

**Standard Equipment:** Strainer. Fiberglass Eccentric Guard. Flexible Coupling <sup>w/</sup>Guard.

**Optional Equipment:** Stationary Base. Buna-N or Neoprene Diaphragm.

#### MOTOR SPECIFICATIONS

**Type:** Open Drip-Proof.

**Horsepower:** 1.5.

**Frame Size:** 145T.

**Voltage:**

**3D-E1.5 1P;** Single Phase, 115/230 Volts, 60 Hertz.

**3D-E1.5 3P;** Three Phase, 230/460 Volts, 60 Hertz.

**RPM:** 1800.



## GORMAN-RUPP PUMPS

www.grpumps.com

Specifications Subject to Change Without Notice

Printed in U.S.A.

**Specification Data**

APPROXIMATE  
DIMENSIONS and  
WEIGHTS

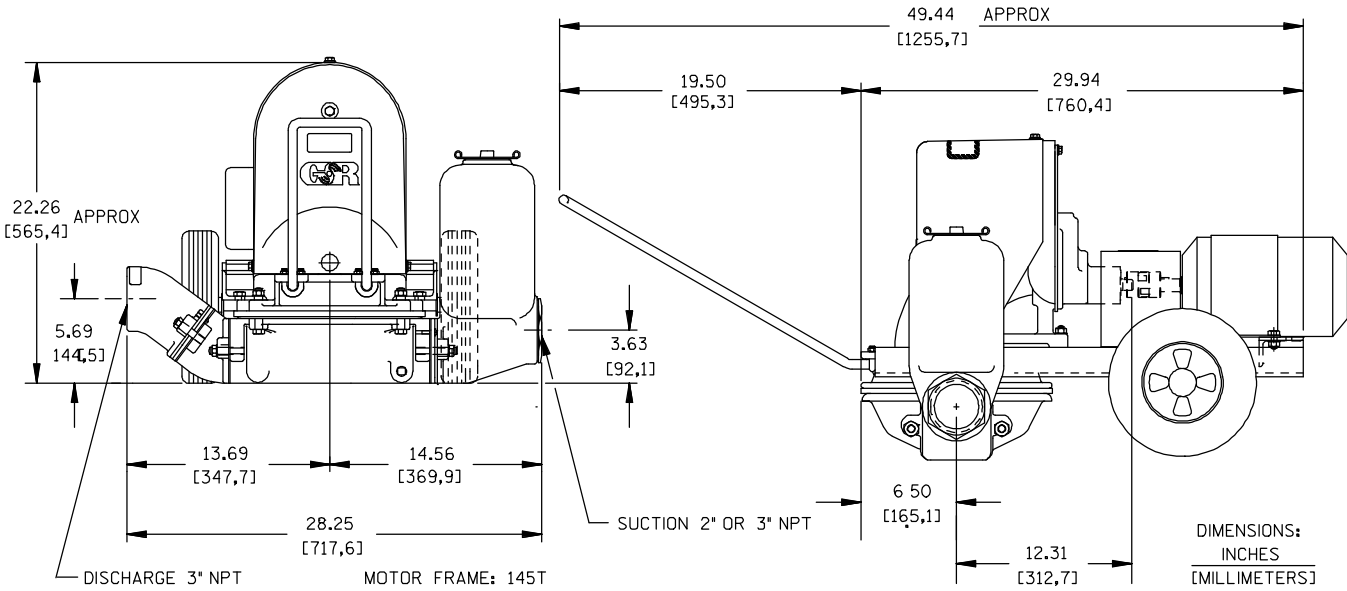
**STATIONARY BASE**

**PUMP NET WEIGHT:** 230 LBS. (104,3 KG.)  
**SHIPPING NET WEIGHT:** 280 LBS. (127,0 KG.)  
**EXPORT CRATE SIZE:** 26.3 CU. FT. (0,74 CU. M.)

**2-WHEEL**

**210 LBS. (95,3 KG.)**  
**260 LBS. (117,9 KG.)**  
**24.3 CU. FT. (0,69 CU. M.)**

SECTION 120, PAGE 200



**3D PUMP PERFORMANCE**

IN GALLONS PER MINUTE AT 60 STROKES PER MINUTE				
STATIC LIFT IN FEET	STATIC DISCHARGE HEAD IN FEET			
	5	10	15	20
5	78	67	66	68
10	73	64	66	62
15	68	60	64	59
20	64	59	65	59
25	56	56	60	56

IN LITERS PER MINUTE AT 60 STROKES PER MINUTE				
STATIC LIFT IN METERS	STATIC DISCHARGE HEAD IN METERS			
	1,5	3,0	4,6	6,1
1,5	295,2	253,6	249,8	257,4
3,0	276,3	242,2	249,8	234,7
4,6	257,4	227,1	242,2	223,3
6,1	242,2	223,3	246,0	223,3
7,6	212,0	212,0	227,1	212,0

Above Performance with 70°F (21°C)\*Clear Water at Sea Level  
Using 2 in. (5,1 cm) Suction Hose and 3 in. (7,6 cm) Non-Collapsible Discharge Hose.



**GORMAN-RUPP PUMPS**

www.grpumps.com

Specifications Subject to Change Without Notice

Printed in U.S.A.