

Electric Motor Driven,
Stainless Steel

Submersible Pump

Model SM2E65-X3.5



Size 2"

PUMP SPECIFICATIONS

MSHA PUMP APPROVAL NO. 2G-3971A-0.

COMMONWEALTH OF PENNSYLVANIA APPROVAL NO. BFE-637-77.

Suction Casing: Stainless Steel CD4MCu;

Maximum Operating Pressure 47 psi (324 kPa).*

Impeller:Stainless Steel CD4MCu.**Seal Plate:** Stainless Steel CD4MCu.**Intermediate:** Aluminum Alloy 356-T6.**Motor Housing:** Stainless Steel 316.**Motor Shaft:** Stainless Steel 316.**Bearings:** Upper and Lower, Two Synthetic Seals, Single Row Ball Bearing.**Discharge Flange:** Stainless Steel 316.**Gaskets:** Buna-N and Compressed Synthetic Fibers.**O-Rings:** Buna-N and Fluorocarbon (DuPont Viton® or Equivalent).**Wetted Hardware:** Standard Plated Steel and Stainless Steel.**Strainer:** Stainless Steel 316; 52% Open Area, 0.375" (9,5 mm) Diameter Openings.**Hoisting Bail:** Stainless Steel 316.**Standard Equipment****NEMA Type 10 Explosion Proof Control Box:**

Provides On-Off, Circuit Breaker and Motor Overload Protection.

MSHA Certification No. X/P-3026-1.**Optional Equipment**

Staging Adapter Kit.

MSHA-Certified Automatic Control Box, [Single Ball Type Float Switch](#).**

**Cable Lengths From 50 to 400 Feet Available.

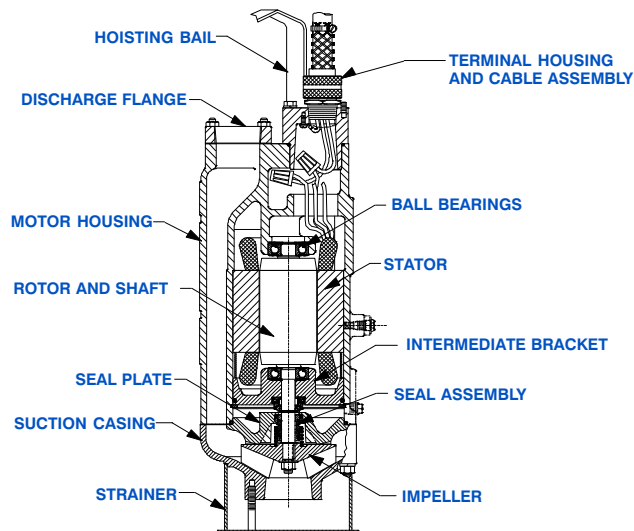
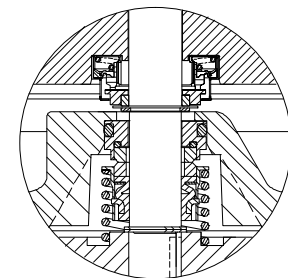
MOTOR/CABLE SPECIFICATIONS**Motor:** Air Filled Enclosure.3.5 H.P.; 3450 R.P.M.; 60 Hz.

Three Phase, 460/575 Volt, 4.5/3.6 Full Load AMPS, 3.2 kW (Max.).

MSHA Certification No. X/P-3142-1.**Power Cable:** 7 Wire, Type SPC; (3) 12 AWG Power Conductors, (2) 14 AWG Control Conductors, (1) 10 AWG Ground Conductor and (1) 14 AWG Ground Check Conductor. Nominal Length 50 Feet (15 m) Standard.

(Specify Alternate Length at Time of Order.) ***

*** Circuit Breaker Amp Rating and Maximum Combined Length of Motor and Trailing Cables May Apply (Consult Factory for Details).

**SEAL SPECIFICATIONS**

Tandem, Oil Lubricated.

Upper: Type 22, Mechanical. Cast Iron Rotating Face, and Carbon Stationary Face. Buna-N Elastomers. Carbon Steel Spring and Plated Steel Cage.**Lower:** Type 2, Mechanical. Tungsten Carbide Rotating and Stationary Faces. Fluorocarbon Elastomers (DuPont Viton® or Equivalent). Stainless Steel 316 Cage, Spring and Stationary Seat.

Maximum Temperature of Liquid Pumped 122°F (50°C).*

* Consult Factory for Applications Exceeding Maximum Pressure and/or Temperature Indicated.



GORMAN-RUPP PUMPS

www.grpumps.com

Specifications Subject to Change Without Notice

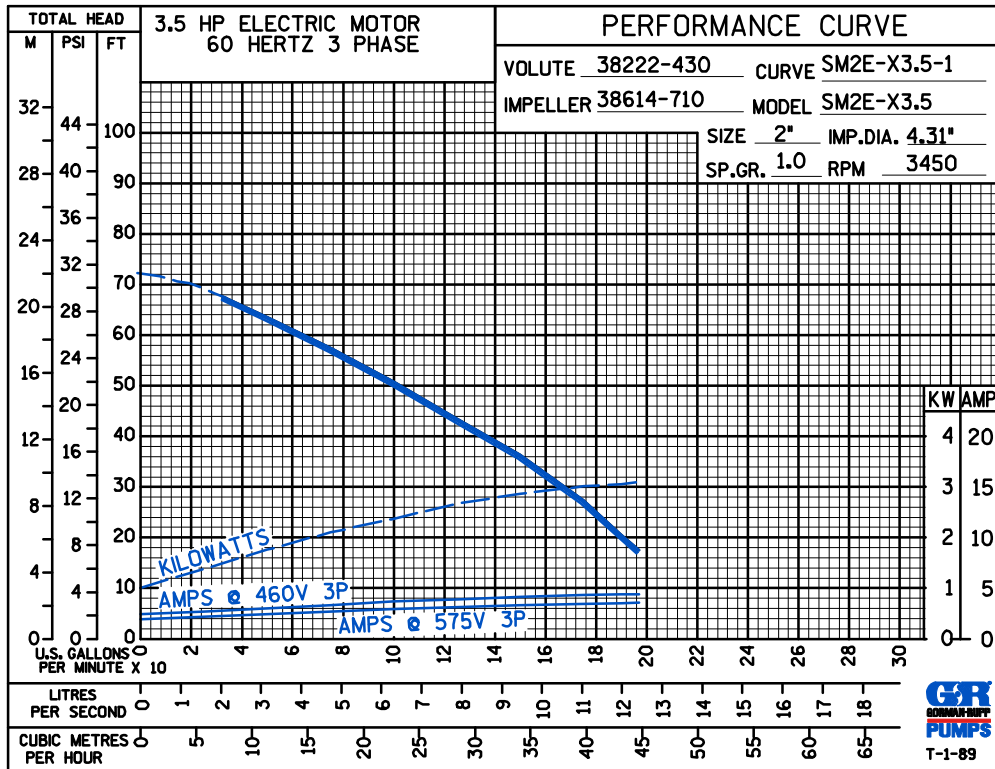
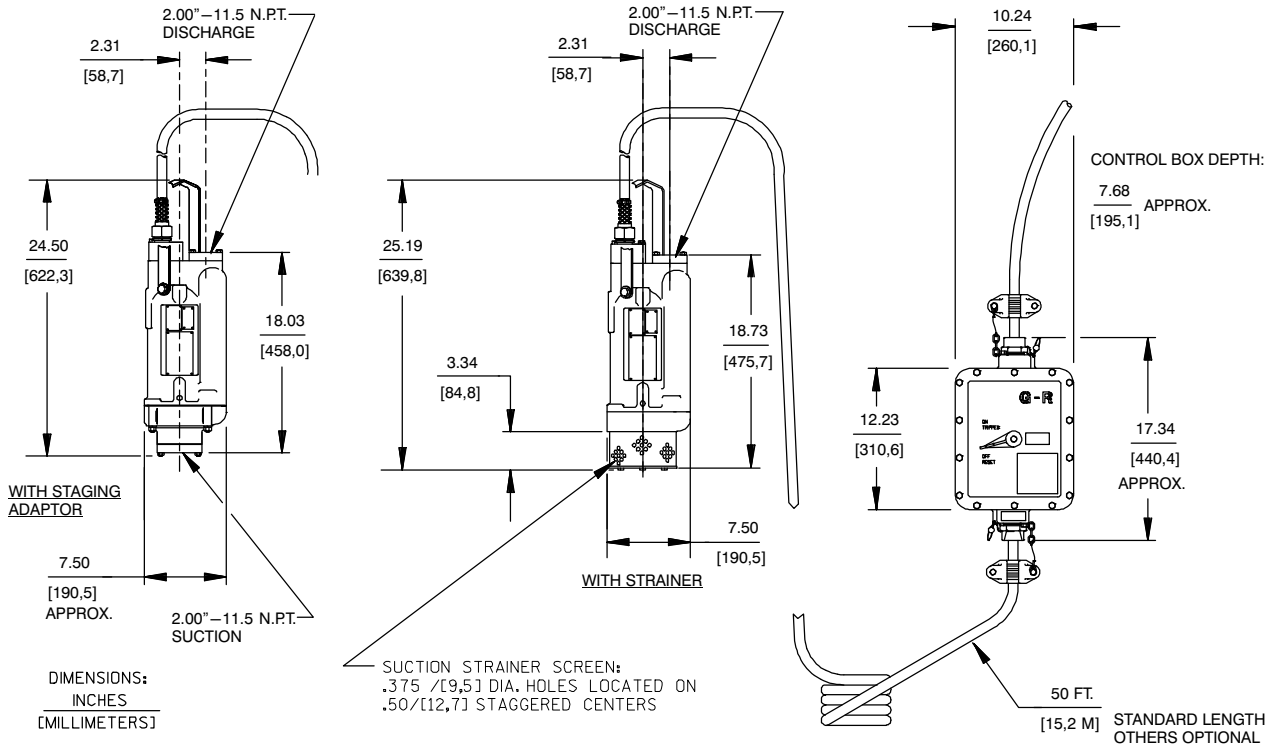
Printed in U.S.A.

Specification Data

SECTION 132, PAGE 250

APPROXIMATE
DIMENSIONS and WEIGHTS

PUMP & CABLE NET WEIGHT: 116 LBS.(52,6 KG.)
CONTROL BOX NET WEIGHTS: 35 LBS.(15,9 KG.)
GROSS SHIPPING WEIGHT: 151 LBS.(68,5 KG.)
EXPORT CRATE: 8.2 CU. FT.(0,23 CU. M.)



GORMAN-RUPP PUMPS

www.grpumps.com

Specifications Subject to Change Without Notice

Printed in U.S.A.