



# Solids Handling Vortex Hydraulic Motor Driven Submersible Pump Model HSV4A31-HYD Size 4"

## PUMP SPECIFICATIONS

**Casing:** Ductile Iron 65-45-12.

Maximum Operating Pressure 114 psi (786 kPa).\*

**Impeller:** Six Vane Vortex, Stainless Steel CD4MCu.

Handles 3 1/2" (88,9 mm) Diameter Solids.

**Wear Plate:** Stainless Steel 316.

**Wear Ring:** Stainless Steel 316.

**Bearing Housing:** Ductile Iron 65-45-12.

**Hydraulic Motor Housing:** Gray Iron.

**Shaft:** Stainless Steel 17-4PH.

**Upper and Lower Bearings:** Open Single Row Ball.

**Bearing Lubrication:** SAE 30 Non-Detergent Oil.

**Discharge Flange:** Ductile Iron 65-45-12.

**O-Rings:** Buna-N.

**Wetted Hardware:** Stainless Steel 304.

### Standard Equipment:

Strainer/Pump Mounting Stand.

Hoisting Bail.

Hydraulic Motor Input And Output Hoses.

Maximum Temperature of Liquid Pumped, 170°F (77°C).\*

(Hydraulic Oil to motor should be cooled)

### Optional Equipment:

1.00" (25,4mm) Hydraulic Hose w/Quick Disconnect Fittings.\*\*

\* Consult Factory for Applications Exceeding Maximum Pressure and/or Temperature Indicated.

\*\* Hydraulic Hose Available in 50 Foot (15,2 Meter) Increments: Maximum Recommended Length 150 Feet (45,7 Meters), Specify Length at Time of Order.



## HYDRAULIC MOTOR SPECIFICATIONS

**Hydraulic Motor:** Variable Speed Gear.

**Hose Ports:** 1.00" (25,4 mm) NPT.

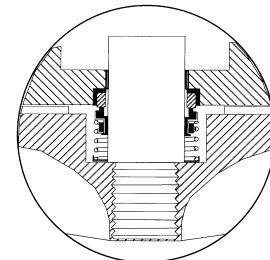
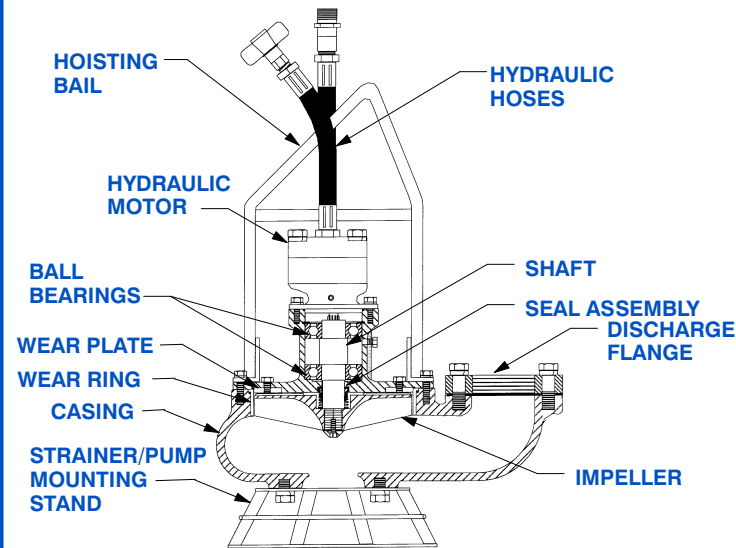
**Operating Pressure:** Max. 2900 psi (19995 kPa).

**Hydraulic Oil:** 214-320 ssu @ 100°F (64°C).

**Input Flow:** Variable, 15-30 GPM (53-106 LPM).

**Power Source:** Any Open Center Hydraulic System.

**Minimum Power Requirement:** 60 H.P.



### SEAL DETAIL

Mechanical, Oil Lubricated. Carbon Rotating Face, Ceramic Stationary Face. Buna-N Elastomers. Stainless Steel 304 Cage and Spring.



## GORMAN-RUPP PUMPS

www.grpumps.com

Specifications Subject to Change Without Notice

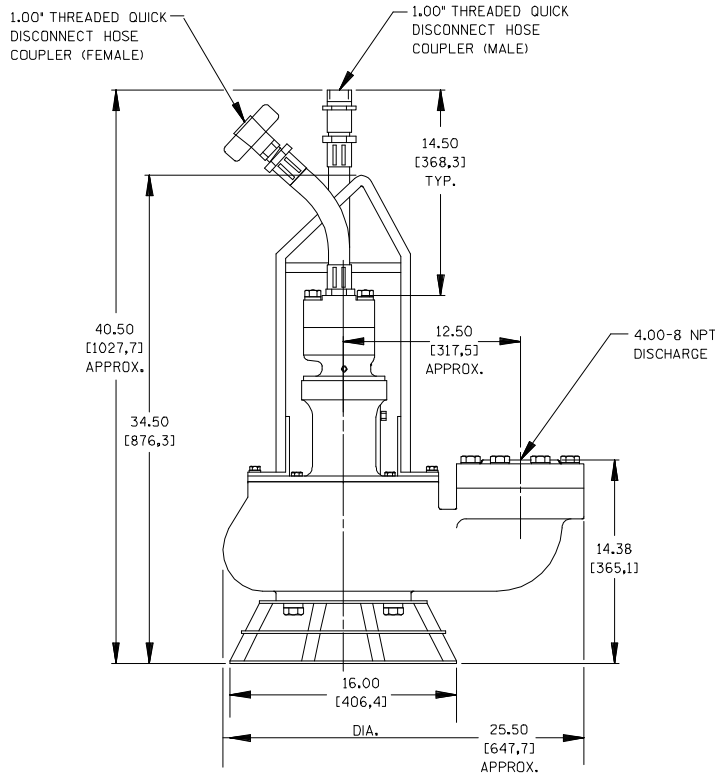
Printed in U.S.A.

**Specification Data**

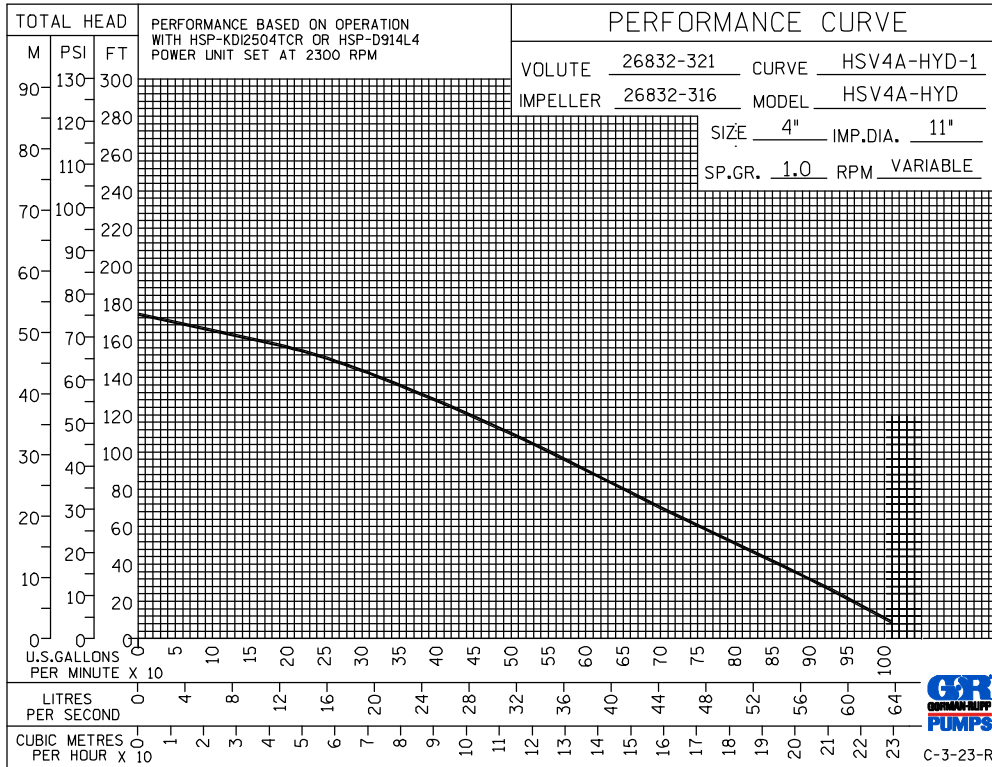
**SECTION 140, PAGE 800**

APPROXIMATE  
DIMENSIONS and WEIGHTS

**NET WEIGHT: 312 LBS. (142 KG.)**  
**SHIPPING WEIGHT: 352 LBS. (16 KG.)**  
**EXPORT CRATE: 12.7 CU. FT. (0.36 CU. M.)**



DIMENSIONS:  
INCHES  
[MILLIMETERS]



**GORMAN-RUPP PUMPS**

www.grpumps.com

Specifications Subject to Change Without Notice

Printed in U.S.A.