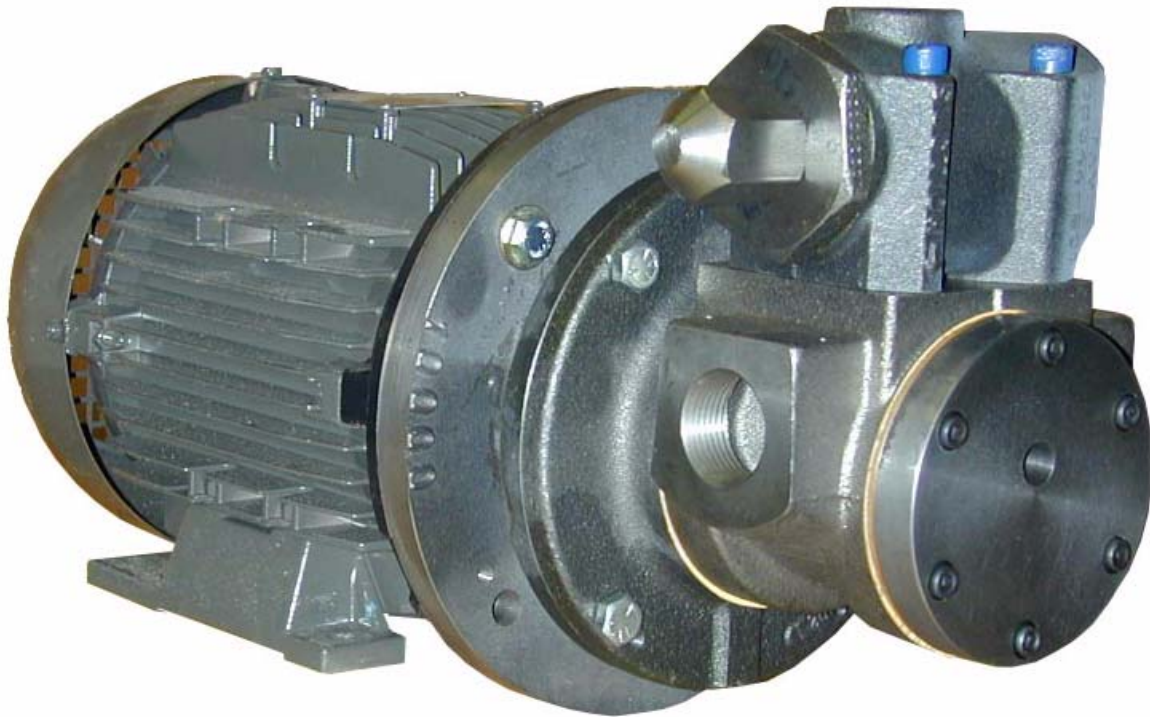


**GMC SERIES
 MEDIUM DUTY COMPACT
 ROTARY GEAR PUMP**



The GMC series is designed for applications in the operating ranges noted below. Direct connecting to other pieces of equipment provides an extremely compact system design.

The six sizes of Gorman-Rupp close coupled pumps connect to standard NEMA "C" flanges. Rotor shaft bores accept standard motor shafts; 5/8" standard, 7/8", 1-1/8" and 1-3/8" are optional. Metric coupling also available.

At synchronous speeds, extra drive equipment, including couplings or outboard bearings, is not required.

For continuous service, or for handling viscous liquids, see the heavy duty GHS section.

FEATURES

*200 PSI CAPABILITY
 COMPACT-NEMA C MOUNTING - NO
 DRIVE COUPLING OR GUARD
 ACCURATE ALIGNMENT
 INEXPENSIVE PUMP/DRIVE UNIT
 THRUST CONTROLLED PUMP
 ELEMENTS
 LONG LIFE - QUIET OPERATION
 MULTIPLE PORT POSITIONING*

OPERATING RANGE

CAPACITY (GPM) : (3 TO 38)
 [LPM] : [11 TO 144]

PRESSURE (PSI) : (0 TO 200)
 [BAR] : [0 TO 14]

VISCOSITY (SSU) : (28 TO 250,000)
 [cSt] : [1 TO 55,000]

TEMPERATURE (F) : (-60° TO 300°)
 [C] : [-51° TO 149°]

APPLICATIONS

USE WITH ANY CLEAN LIQUID
 COMPATIBLE WITH CAST
 IRON

- ★ BOOSTER SERVICE
- ★ CIRCULATING
- ★ FILTERING
- ★ LUBRICATING
- ★ TRANSFERRING

EXTER- IOR	ROTOR & IDLER	HOUSING PORTS	BUSHINGS	IDLER PIN	SHAFT	SHAFT SEALING		ROTATION	INTERNAL RELIEF VALVE	
						MECH. SEAL ●	LIPSEAL ■		MATERIAL	SETTING
CAST IRON	HIGH STRENGTH IRON	180° TAPPED	BRONZE	HARDENED STEEL	STEEL	VITON	BUNA-N	C.W.	DUCTILE IRON	75 PSI [5 BAR]

Standard Models

G M C 1 DC 3 - B
 | | | | | | | | | |
 GEAR DUTY DESIGN PORT-SIZE HYDRAULIC SEAL STYLE
 SIZE SIZE

MODEL NUMBER	NOM. CAPACITY - SPEED				MAXIMUM				SHIPPING DATA						
	MAXIMUM		ALTERNATIVE		DIFFERENTIAL PRESSURE - PSI [BAR]			TEMP.	Weight	Volume					
	GPM [LPM]	RPM 60 Hz [50 HZ]	GPM [LPM]	RPM 60 Hz [50 HZ]	BELOW 38 SSU [4 cSt]	38 TO 100 SSU [21 cSt]	100 TO 250,000 SSU [55,000 cSt]	°F [°C]	LBS [KG]	CU. FT.					
GMC 1DC 3-B ● GMC 1DC 4-B ■	9 [28]		6 [19]					● 300 [149]	20 [9,0]	0.6					
GMC 1DE 3-B ● GMC 1DE 4-B ■	11 [35]		7 [22]						20 [9,0]	0.6					
GMC 1-1/2GC 3-B ● GMC 1-1/2GC 4-B ■	16 [50]		10 [32]						32 [14,5]	0.6					
GMC 2GC 3-B ● GMC 2GC 4-B ■									32 [14,5]	0.6					
GMC 1-1/2GF 3-B ● GMC 1-1/2GF 4-B ■	23 [73]	1750 [1460]	15 [47]	1150 [960]	100 [7]	150 [10]	200 [14]		32 [14,5]	0.6					
GMC 2GF 3-B ● GMC 2GF 4-B ■											32 [14,5]	0.6			
GMC 1-1/2GH 3-B ● GMC 1-1/2GH 4-B ■	31 [98]								20 [63]					32 [14,5]	0.6
GMC 2GH 3-B ● GMC 2GH 4-B ■														32 [14,5]	0.6
GMC 1-1/2GJ 3-B ● GMC 1-1/2GJ 4-B ■	38 [120]								25 [79]					32 [14,5]	0.6
GMC 2GJ 3-B ● GMC 2GJ 4-B ■															32 [14,5]

NOTE: RECOMMENDED PORT SIZES ARE SHOWN IN **BOLDFACE**. Example: **GMC 2GJ 3-B**

NOTE: PROPER PUMP APPLICATION REQUIRES CONSIDERATION OF ADDITIONAL FACTORS. PLEASE REVIEW APPLICATION GUIDE IN SECTION 500 OR CONSULT THE FACTORY.

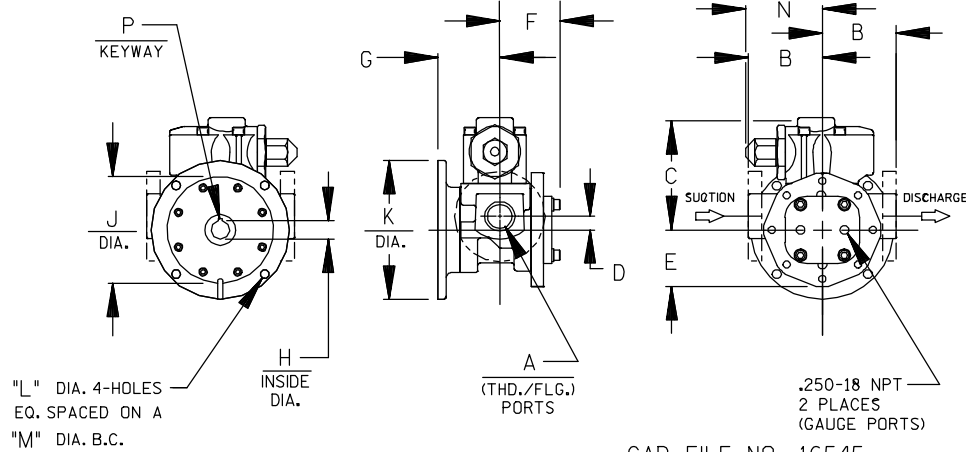
THE GORMAN-RUPP COMPANY • MANSFIELD, OHIO
 GORMAN-RUPP OF CANADA LIMITED • ST. THOMAS, ONTARIO, CANADA

Basic Pump Dimensions

* STANDARD DIMENSION

† 90° HOUSING

MOTOR FRAMES 56C, 143TC, 145TC, 182C, 184C



CAD FILE NO.: 16545

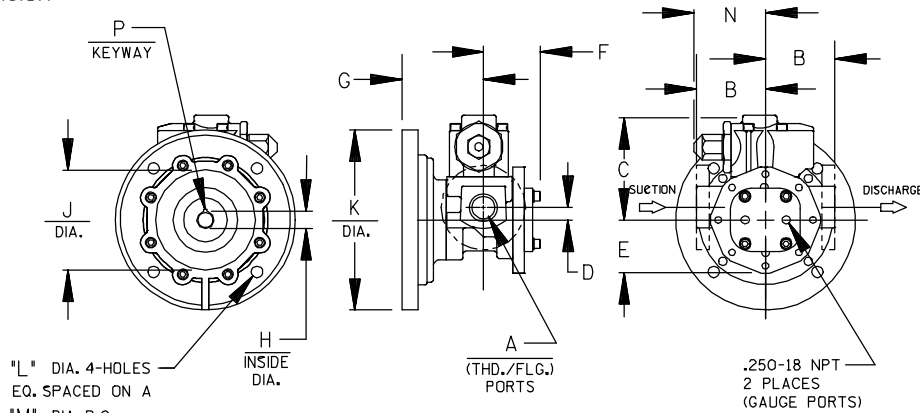
PUMP MODEL	PUMP DIMENSIONS - INCHES [MM]							PUMP MOUNTING DIMENSIONS						
	A	B	C	D	E	F	G	H	J	K	L	M	N	P
GMC D	1"	2.50 † [64]	5.19 [132]	.62 [16]	2.67 [68]	2.73 [69]	2.79 [71]	.62 [16] *	4.50 [114]	6.50 [165]	.41 [10]	5.88 [149]	3.58 [91]	.19 [5] × 1.66 [42]
		2.75 * [70]												
GMC G	1-1/2"	3.50 † [89]	6.00 [152]	.62 [16]	3.25 [82]	3.34 [85]	2.86 [73]	.62 [16] *	4.50 [114]	6.50 [165]	.41 [10]	5.88 [149]	3.62 [92]	.19 [5] × 1.69 [43]
		3.75 * [95]												

OPTIONAL (WITH ADAPTOR PLATE)

MOTOR FRAMES 182TC, 184TC, 213C, 213TC, 215C, 215TC, 254C, AE90, AE100, AE112

* STANDARD DIMENSION

† 90° HOUSING



CAD FILE NO.: 16579

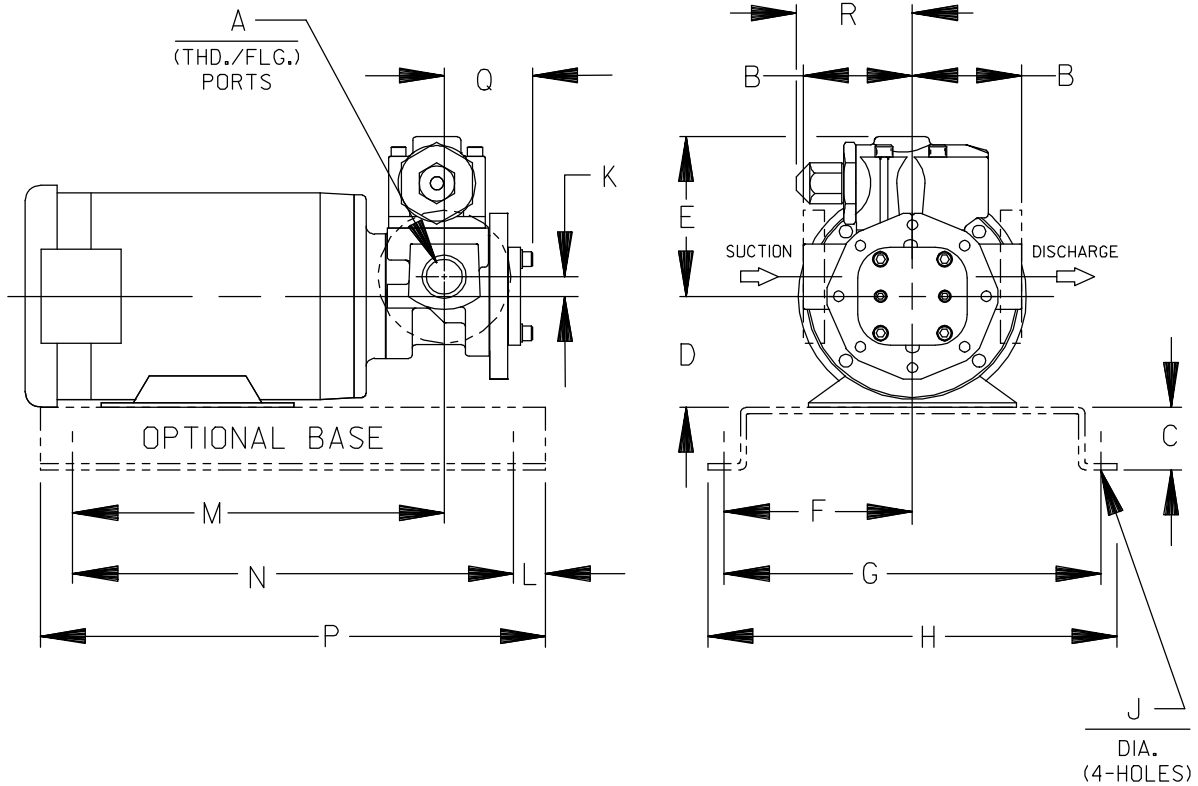
PUMP MODEL	PUMP DIMENSIONS - INCHES [MM]							PUMP MOUNTING DIMENSIONS							
	A	B	C	D	E	F	G	H	J	K	L	M	N	P	
GMC D [METRIC]	AE90 AE110/112	1"	64 † [132]	[16]	[68]	[69]	[117]	[24] [28]	[130] [180]	[200] [250]	[12] [15]	[165] [215]	[91]	[8] × [46] [8] × [56]	
			70 * [152]												
GMC G	1-1/2"	2"	3.50 † [89]	6.00 [152]	.62 [16]	3.25 [82]	3.34 [85]	4.02 [117]	1.12 * [28]	8.50 [216]	9.00 [229]	.53 [14]	7.25 [184]	3.62 [92]	.25 [6] × 2.12 [54] .31 × 2.53 [8] × [64]
			3.75 * [95]												
GMC G [METRIC]	AE90 AE110/112							[24] [28]	[130] [180]	[200] [250]	[12] [15]	[165] [215]		[8] × [46] [8] × [56]	

THE GORMAN-RUPP COMPANY • MANSFIELD, OHIO

GORMAN-RUPP OF CANADA LIMITED • ST. THOMAS, ONTARIO, CANADA



DIRECT CLOSE COUPLED C-FLANGE DRIVE OPTION DIMENSIONS



CAD FILE NO: 16503

PUMP MODEL	PUMP DIMENSIONS																	
	A	MOTOR FRAME	B	C	D	E	F	G	H	J	K	L	M	N	P	Q	R	
GMC D	1"	56C	2.50 † [64]	2.00 [51]	3.50* [89]	5.19 [132]	6.25 [159]	12.50 [318]	14.50 [368]	.56 [14]	.63 [16]	2.00 [51]	11.11 [282]	12.75 [324]	16.75 [425]	2.74 [70]	3.58 [91]	
		143TC/145TC	4.50 [114]		11.42 [290]													
		1820/184C	2.75* [70]		11.92 [303]													
GMC G	1-1/2"	56C	3.50 † [89]	2.00 [51]	3.50 [89]	6.00 [152]	6.25 [159]	12.50 [318]	14.50 [368]	.56 [14]	.63 [16]	2.00 [51]	11.18 [284]	12.75 [324]	16.75 [425]	3.34 [85]	3.62 [92]	
		143TC/145TC			4.50 [114]								11.49 [292]					
	2"	182C/184C	3.75* [95]	4.50 [114]	5.25 [133]	12.50 [318]	14.50 [368]	.56 [14]	.63 [16]	2.00 [51]	11.86 [305]	12.49 [317]	12.86 [327]	12.75 [324]	16.75 [425]	3.34 [85]	3.62 [92]	
		182TC/184TC																12.00 [305]
		213TC/215TC																12.49 [317]

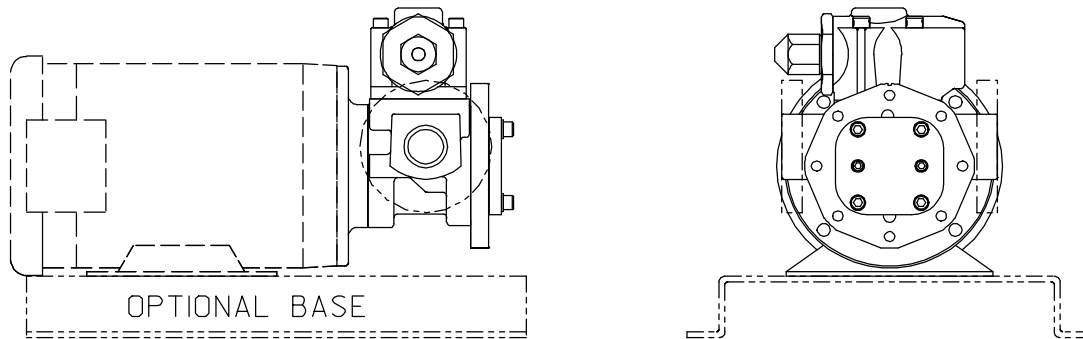
* STANDARD DIMENSION

† 90° HOUSING



1 PHASE DIRECT CLOSE COUPLED C-FLANGE DRIVE OPTIONS

(Drive Assembly Number Is For Motor Only)



16503.S01

PUMP MODEL NUMBER	1 PHASE		FRAME	115/230 VOLTS DRIVE ASSY NO.		
	RPM	HP		OPEN	TEFC	EXPLOSION PROOF
GMC D/G	1750	.75	56C	91111-540	91121-540	91131-540
		1.00	56C	91111-542	91121-542	91131-542
		1.50	56C	91111-546	91121-546	91131-546
		1.50	184C (a)			91131-547
		2.00	145TC (a)	91111-550		91131-550
		2.00	184C (a)		91121-550	
	1140	.75	56C	91111-580	91121-580	91131-580

(a) REQUIRES OPTION 50A OR 50J

NOTE: CONSULT FACTORY FOR:

- | | |
|-----------------------------------|---|
| 1. HORSEPOWERS & FRAMES NOT SHOWN | 5. 50 HERTZ 380 VOLT MOTORS |
| 2. DRIP PAN BASES | 6. FOR OPTIONAL BASE SEE PRICE PAGES |
| 3. 115-208/230 VOLT MOTORS | 7. COUNTER-CLOCKWISE ROTATION FOR SINGLE PHASE MOTORS |
| 4. 208-230/460 VOLT MOTORS | |



3 PHASE DIRECT CLOSE COUPLED C-FLANGE DRIVE OPTIONS

(Drive Assembly Number Is For Motor Only)

PUMP MODEL NUMBER	3 PHASE		FRAME	230/460 VOLTS DRIVE ASSY NO.		
	RPM	HP		OPEN	TEFC	EXPLOSION PROOF
GMC D/G	1750	.75	56C	91141-540	91151-540	91161-540
		1.00	143TC (a)	91141-542		
		1.00	56C		91151-542	91161-542
		1.50	145TC (a)	91141-546		
		1.50	56C		91151-546	91161-546
		2.00	145TC (a)	91141-550	91151-550	
		2.00	56C			91161-550
		3.00	145TC (a)	91141-554		
		3.00	56C		91151-554	
GMC G	1750	5.00	184C (a)	91141-558	91151-558	
		3.00	182TC (b)			91161-554
		5.00	184TC (b)			91161-558
		7.50	213TC (c)	91141-572	91151-572	91161-572
GMC D/G	1150	10.00	215TC (c)	91141-576	91151-576	91161-576
		.75	56C	91141-580	91151-580	91161-580
		1.00	56C	91141-582	91151-582	91161-582
		1.00	56C	91141-586		
		1.50	145TC (a)		91151-586	91161-586
		1.50	182C (a)			91161-588
GMC G	1150	2.00	184C (a)		91151-590	91161-590
		2.00	184TC (b)	91141-700	91141-700	
		3.00	213TC (c)	91141-704	91151-704	91161-704
GMC D	850	5.00	215TC (c)	91141-708	91151-708	91161-708
		.75	184C (a)		91151-720	
GMC G	850	1.00	182TC (b)	91141-730	91151-730	
		1.50	184TC (b)	91141-734	91151-734	
		2.00	213TC (c)	91141-738	91151-738	
		3.00	215TC (c)	91141-742	91151-742	

- (a) REQUIRES OPTION 50A OR 50J
- (b) REQUIRES OPTION 70A AND 50B OR 50K
- (c) REQUIRES OPTION 70A AND 50C OR 50L

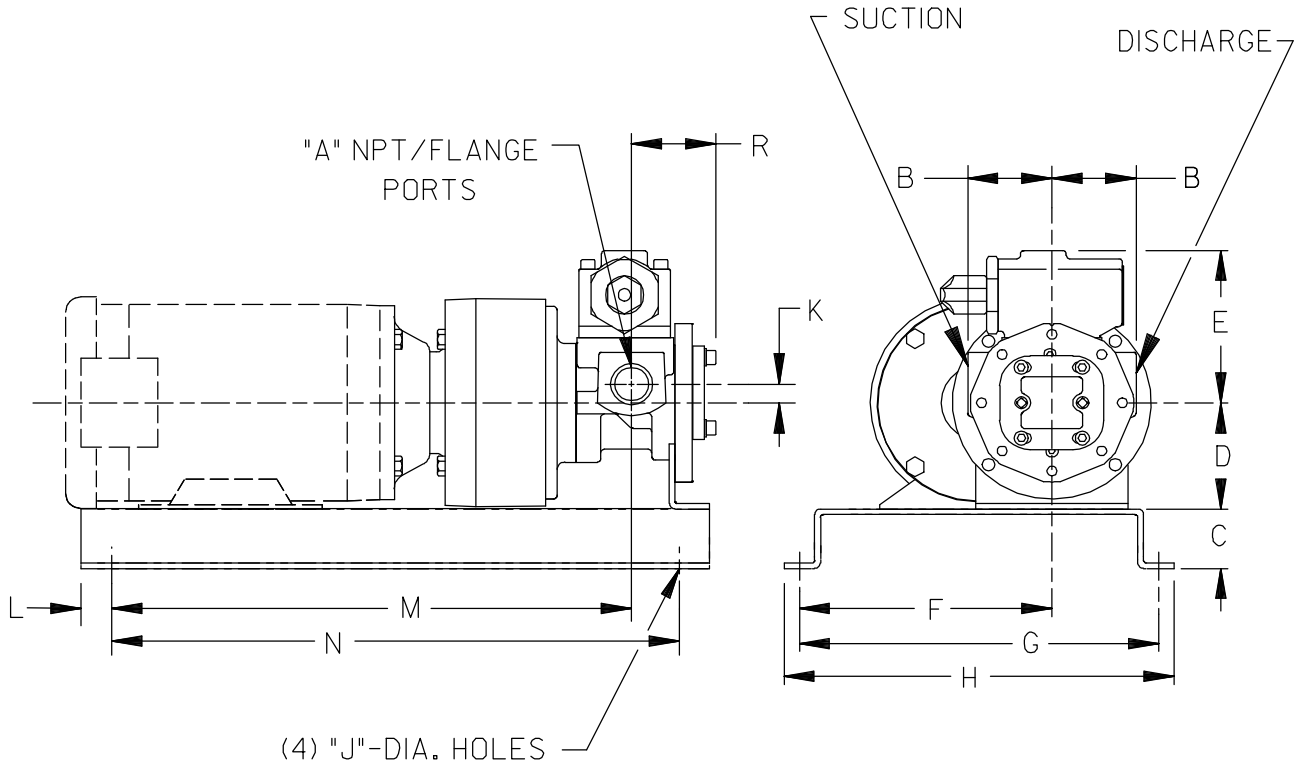
NOTE: CONSULT FACTORY FOR:

- | | |
|-----------------------------------|---|
| 1. HORSEPOWERS & FRAMES NOT SHOWN | 5. 50 HERTZ 380 VOLT MOTORS |
| 2. DRIP PAN BASES | 6. FOR OPTIONAL BASE SEE PRICE PAGES |
| 3. 115-208/230 VOLT MOTORS | 7. COUNTER-CLOCKWISE ROTATION FOR SINGLE PHASE MOTORS |
| 4. 208-230/460 VOLT MOTORS | |



GRR REDUCER CLOSE COUPLED C-FLANGE DRIVE OPTION DIMENSIONS

(Drive Assembly Number Includes Gear Reducer and Base, But **NOT** the Motor)



CAD FILE NO.: 16390B

PUMP MODEL	UNIT DIMENSIONS														
	"A"	MOTOR FRAME	B	C	D	E	F	G	H	J	K	L	M	N	R
GMC D	1"	56C	2.50 † [70]	2.00 [51]	3.50 [89]	5.19 [132]	6.50 [165]	13.00 [330]	15.00 [381]	.56 [14]	.63 [16]	3.00 [76]	14.22 [361]	25.50 [648]	2.66 [68]
		143TC/145TC	2.75* [70]		4.50 [114]										
GMC G	1 1/2"	56C	3.50 † [89]	2.00 [51]	3.50 [89]	6.00 [152]	6.50 [165]	13.00 [330]	15.00 [381]	.56 [14]	.63 [16]	3.00 [76]	14.16 [360]	25.50 [648]	3.27 [83]
		143TC/145TC	3.75* [95]		4.50 [114]										
	2"	184C													

* STANDARD DIMENSION

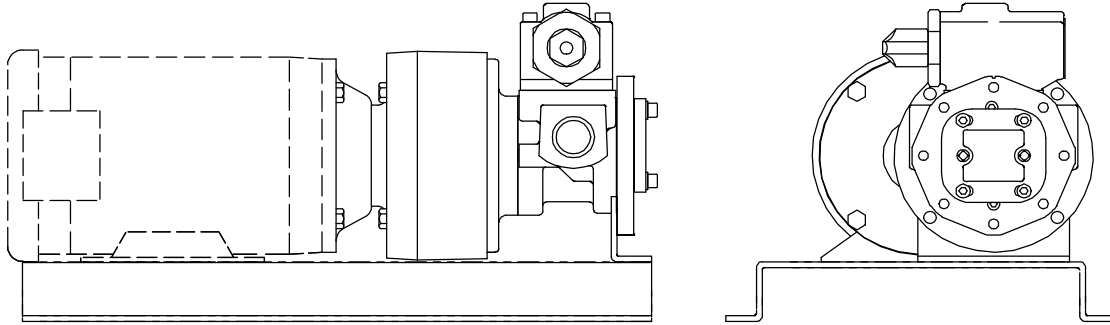
† 90° HOUSING



GMC

GRR REDUCER CLOSE COUPLED C-FLANGE DRIVE OPTIONS

(Drive Assembly Number Includes Gear Reducer and Base, But **NOT** the Motor)

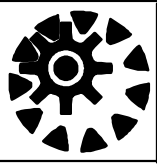


PUMP MODEL NUMBER	RPM @ 1750	RPM @ 1150	REDUCER ①		FRAME	DRIVE ASSY NO.	
			MAX HP @ 1750	MAX HP @ 1150			
GMC D ②	875	575	2.00:1	5.65	3.73	56C	90153-510
				11.70	7.72	143TC/145TC	90153-519
				11.70	7.72	182C/184C	90153-522
	580	383	3.00:1	3.76	2.48	56C	90123-533
				8.10	5.35	143TC/145TC	90153-536
				8.10	5.35	182C/184C	90153-542
	440	288	4.00:1	2.82	1.86	56C	90153-550
				5.90	3.89	143TC/145TC	90153-553
				5.90	3.89	182C/184C	90153-559
	350	238	5.00:1	2.26	1.49	56C	90153-570
				5.20	3.43	143TC/145TC	90153-573
				5.20	3.43	182C/184C	90153-579
GMC G ②	875	575	2.00:1	5.65	3.73	56C	90153-610
				11.70	7.72	143TC/145TC	90153-613
				11.70	7.72	182C/184C	90153-629
	580	383	3.00:1	3.76	2.48	56C	90153-630
				8.10	5.35	143TC/145TC	90153-633
				8.10	5.35	182C/184C	90123-642
	440	288	4.00:1	2.82	1.86	56C	90153-660
				5.90	3.89	143TC/145TC	90153-663
				5.90	3.89	182C/184C	90153-672
	350	238	5.00:1	2.26	1.49	56C	90153-690
				5.20	3.43	143TC/145TC	90153-693
				5.20	3.43	182C/184C	90153-702

① Listed reducer horsepower rated for Standard Service (8-10 hrs/day). For Light Service (3-5 hrs/day) multiply maximum rated horsepower by 1.1. For Heavy Service (16-24 hrs/day) multiply maximum rated horsepower by 0.9.

② Use adds/deletes for large diameter head and coverplate kit if required.

NOTES:
CONSULT FACTORY FOR:
HORSEPOWERS AND FRAMES NOT SHOWN.
DRIP PAN BASES.



PERFORMANCE CURVES

SPEED VS. CAPACITY/HORSEPOWER

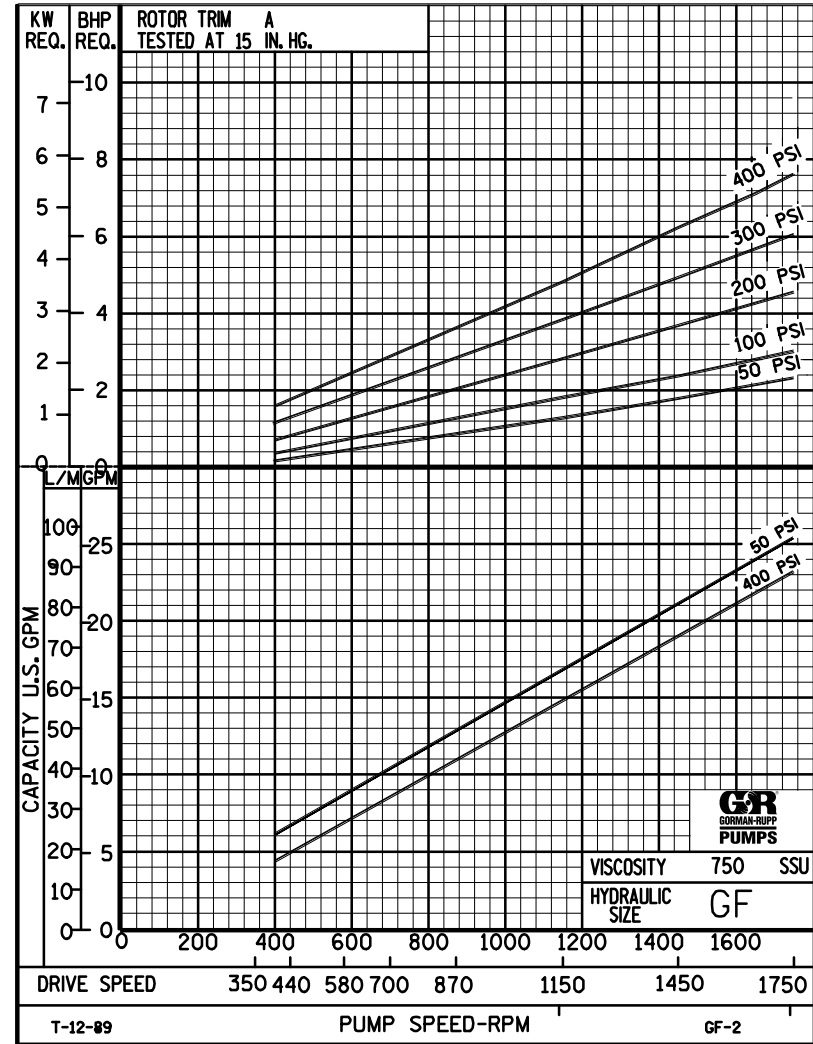
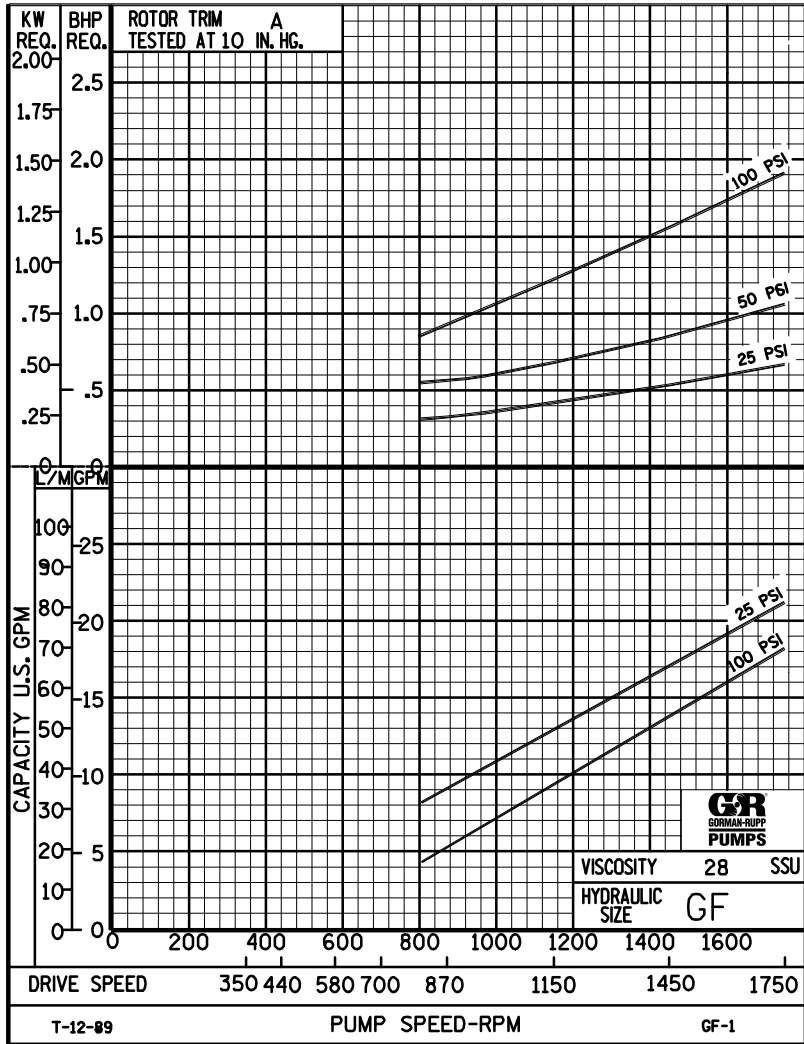
GF

Hydraulic Size

SEC. 500

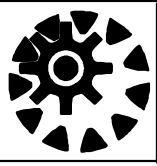
Page 44

January 2010



THE GORMAN-RUPP COMPANY • MANSFIELD, OHIO
 GORMAN-RUPP OF CANADA LIMITED • ST. THOMAS, ONTARIO, CANADA

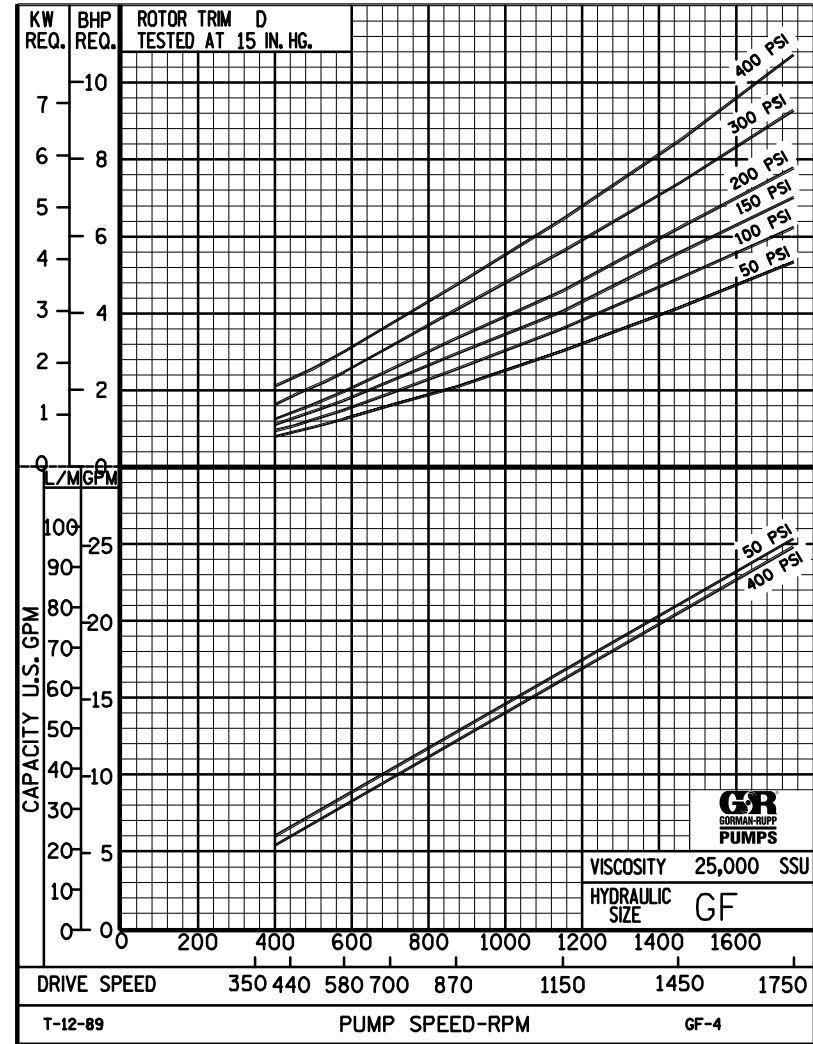
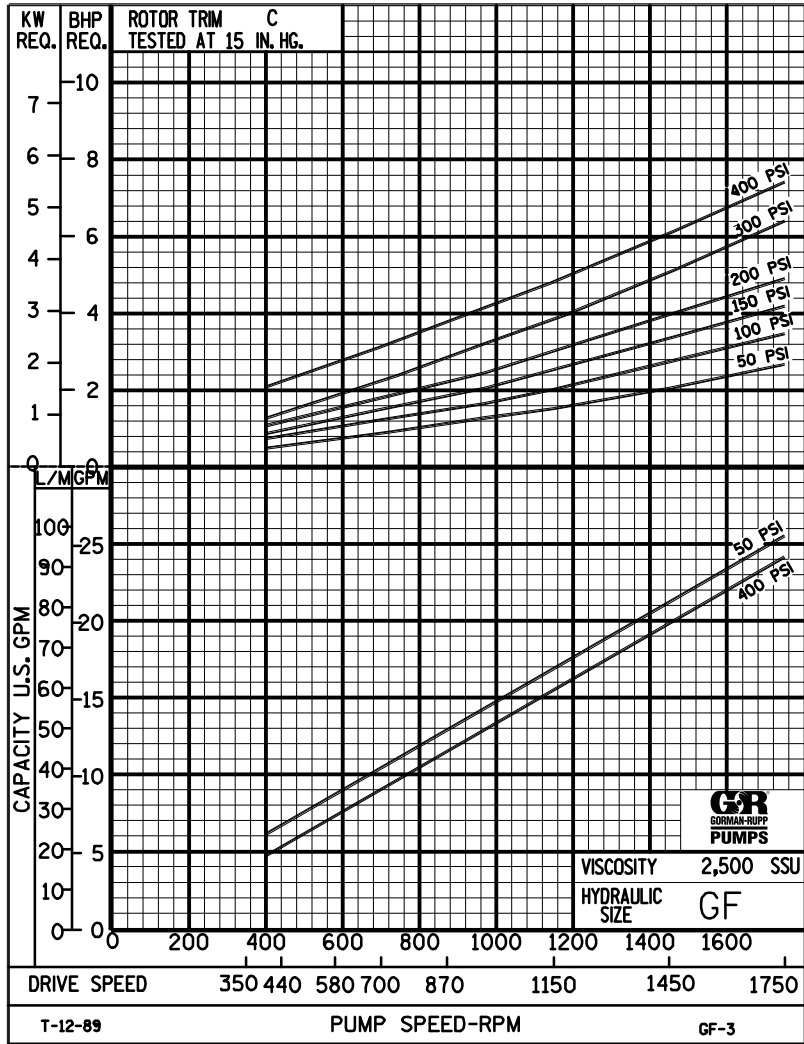
Printed in U.S.A.



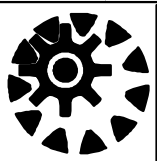
PERFORMANCE CURVES

SPEED VS. CAPACITY/HORSEPOWER

GF Hydraulic Size



THE GORMAN-RUPP COMPANY • MANSFIELD, OHIO
 GORMAN-RUPP OF CANADA LIMITED • ST. THOMAS, ONTARIO, CANADA



GF

PUMP HYDRAULIC SIZE CHART

SEC. 500

Page 46

January 2010

**23 GPM
1750 RPM**

NOMINAL		ROTOR TRIM	VISCOSITY (SSU)	N.I.P.R. (PSIA)	FRICTION PIPE LOSS (PSI/FT) <small>(Based on Sch 40 Steel Pipe)</small>					FULL BYPASS RELIEF VALVE PRESSURE (PSI)					CAPACITY (GPM) / H.P. REQUIRED									
CAP. GPM	SPEED RPM				PIPE DIAMETER					CRACKING PRESS. (PSI)					DIFFERENTIAL PRESSURE (PSI)									
					3/4"	1"	1 1/4"	1 1/2"	2"	LOW PRES R/V			HI PRES R/V		MEDIUM DUTY AND HEAVY DUTY				HEAVY DUTY ONLY					
							50	75	100	150	200	25	50	75	100	150	200	300	400					
23	1750	STD	28	3.9	.01	.01	.01	.01	.01	63	89	117			21	20	19	18						
			32		.36	.12	.03	.02	.01					.69	1.1	1.5	1.9							
			38	3.9	.46	.15	.04	.02	.01	63	89	117	167			22	21	21	19	18				
			50		.56	.18	.05	.03	.01					.92	1.1	1.7	2.1	2.9						
			70	3.9	.63	.20	.06	.03	.01	64	90	119	167	230			23	23	22	21	20	20		
			100		.74	.24	.07	.03	.01					1.1	1.4	1.8	2.2	3.1	3.8					
			150	3.9	.83	.27	.08	.04	.01	64	90	119	167	230			24	24	23	22	22	22	21	19
			200		.87	.31	.10	.05	.02					1.4	1.6	2.1	2.4	3.2	3.9	5.3	6.6			
			300	3.9	.90	.34	.12	.06	.03	65	91	123	167	230			25	24	24	23	23	23	22	21
			500		1.47	.56	.19	.10	.04					1.6	1.9	2.4	2.7	3.4	4.2	5.6	6.9			
		750	3.9	2.20	.84	.28	.15	.06	65	91	123	167	230			25	25	25	24	24	24	24	23	
		1,000		2.94	1.12	.38	.20	.08					1.8	2.2	2.7	3.0	3.7	4.4	5.8	7.1				
				2,000	5.0	5.87	2.24	.75	.40	.15	69	97	124	168	232		25	25	25	25	25	24	24	24
						3,500	10.3	3.91	1.31	.71	.26						2.4	2.9	3.6	3.7	4.4	4.9	6.4	7.6
				5,000	5.8	14.7	5.59	1.87	1.01	.37	74	100	127	170	233		25	25	25	25	25	24	24	
						7,500	22.0	8.40	2.80	1.51	.56						3.1	3.4	4.1	4.4	5.1	5.8	7.3	8.3
				10,000	6.5	29.4	11.2	3.73	2.01	.74	79	104	130	172	233		25	25	25	25	25	25	24	
						15,000	44.0	16.8	5.60	3.02	1.11						3.7	4.1	4.6	5.2	5.9	6.6	8.2	9.3
				20,000	7.1	58.7	22.4	7.46	4.03	1.48	84	109	134	175	234		25	25	25	25	25	25	24	
				25,000		73.4	28.0	9.32	5.03	1.85						4.2	4.6	5.5	6.2	7.0	7.8	9.3	11	
		50,000																						
		75,000																						
		100,000																						
		150,000																						
		200,000																						
		250,000																						

(NOTE) For speeds not shown on the pump hydraulic charts, consult factory.



GF

PUMP HYDRAULIC SIZE CHART

SEC. 500

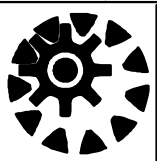
Page 47

January 2010

15 GPM
1150 RPM

NOMINAL		ROTOR TRIM	VISCOSITY (SSU)	N.I.P.R. (PSIA)	FRICTION PIPE LOSS (PSI/FT) <small>(Based on Sch 40 Steel Pipe)</small>					FULL BYPASS RELIEF VALVE PRESSURE (PSI)					CAPACITY (GPM) / H.P. REQUIRED							
CAP. GPM	SPEED RPM				PIPE DIAMETER					CRACKING PRESS. (PSI)					DIFFERENTIAL PRESSURE (PSI)							
							LOW PRES R/V		HI PRES R/V			MEDIUM DUTY AND HEAVY DUTY				HEAVY DUTY ONLY						
							50	75	100	150	200	25	50	75	100	150	200	300	400			
15	1150	STD	28	2.2	.01	.01	.01	.01	59	86	111			13	11	10	9.5					
			32		.17	.06	.02	.01	.01					.56	.72	.96	1.2					
			38	2.2	.22	.07	.02	.01	.01	59	86	111	161		13	13	11	11	9.5			
			50		.27	.09	.03	.01	.01					.62	.78	1.0	1.3	1.8				
			70	2.2	.30	.10	.03	.01	.01	60	87	113	163	215	14	14	13	12	12	11		
			100		.36	.12	.03	.02	.01					.66	.83	1.1	1.4	1.9	2.4			
			150	2.2	.41	.14	.05	.02	.01	60	87	113	163	217	15	15	14	14	13	13	13	12
			200		.46	.18	.06	.03	.01					.78	.98	1.2	1.5	1.9	2.4	3.5	4.6	
			300	2.2	.58	.22	.08	.04	.02	60	87	115	165	219	16	15	15	15	15	14	14	13
			500		.96	.37	.12	.07	.03					.94	1.2	1.4	1.6	2.1	2.6	3.6	4.7	
		750	2.2	1.44	.55	.18	.10	.04	60	87	115	165	222	16	16	16	16	16	15	15	14	
		1,000		1.92	.73	.25	.13	.05					1.1	1.3	1.5	1.7	2.2	2.7	3.7	4.8		
		"C"	2,000	2.8	3.83	1.46	.49	.26	.10	62	90	115	165	222	17	17	16	16	16	16	15	15
			3,500		6.70	2.55	.85	.46	.17					1.4	1.8	2.0	2.1	2.6	3.1	4.1	5.1	
			5,000	3.2	9.57	3.64	1.22	.66	.24	65	92	117	167	224	17	17	16	16	16	16	16	16
			7,500		14.4	5.46	1.83	.99	.36					1.6	2.0	2.2	2.4	2.9	3.5	4.4	5.4	
			10,000	3.6	19.1	7.29	2.43	1.31	.49	68	94	119	169	224	17	17	16	16	16	16	16	16
			15,000		28.7	10.9	3.65	1.97	.73					1.9	2.4	2.7	3.0	3.5	4.0	4.8	5.9	
			20,000	3.9	38.3	14.6	4.87	2.63	.97	72	97	122	172	224	17	17	16	16	16	16	16	16
			25,000		47.8	18.2	6.08	3.28	1.21					2.2	2.8	3.2	3.5	4.0	4.5	5.3	6.5	
50,000	6.1		95.7	36.4	12.2	6.56	2.42	77	102	127	177	229	17	16	16	16	16	16	16	16		
75,000			144	54.6	18.3	9.85	3.63					3.6	4.5	5.1	5.7	6.3	6.8	7.7	8.8			
"D"	100,000																					
150,000																						
200,000																						
250,000																						

(NOTE) For speeds not shown on the pump hydraulic charts, consult factory.



GF

PUMP HYDRAULIC SIZE CHART

SEC. 500

Page 48

January 2010

**11 GPM
870 RPM**

NOMINAL		ROTOR TRIM	VISCOSITY (SSU)	N.I.P.R. (PSIA)	FRICTION PIPE LOSS (PSI/FT) (Based on Sch 40 Steel Pipe)					FULL BYPASS RELIEF VALVE PRESSURE (PSI)					CAPACITY (GPM) / H.P. REQUIRED															
CAP. GPM	SPEED RPM				PIPE DIAMETER					CRACKING PRESS. (PSI)					DIFFERENTIAL PRESSURE (PSI)															
							LOW PRES R/V		HI PRES R/V			25 50 75 100 150 200 300 400				MEDIUM DUTY AND HEAVY DUTY				HEAVY DUTY ONLY										
		3/4"	1"	1 1/4"	1 1/2"	2"	50	75	100	150	200	25	50	75	100	150	200	300	400	25	50	75	100	150	200	300	400			
11	870	STD	28	1.5	.01	.01	.01	.01	.01	57	82	107			9	8	7	6												
			32		.10	.03	.01	.01	.01							.32	.53	.71	.91											
			38	1.5	.13	.04	.01	.01	.01	57	82	107	158			10	9	8	7.5	6.5										
			50		.16	.05	.02	.01	.01							.50	.59	.85	1.1	1.4										
			70	1.5	.18	.06	.02	.01	.01	57	82	108	159	210			10	10	9.5	9	8	7								
			100		.21	.06	.02	.01	.01							.54	.63	.88	1.1	1.5	1.8									
			150	1.5	.26	.09	.03	.01	.01	58	83	109	159	212			11	11	10	10	10	9.5	9.5	8						
			200		.33	.12	.05	.02	.01							.61	.71	.94	1.2	1.5	1.8	2.5	3.3							
			300	1.5	.43	.16	.06	.03	.01	58	83	110	160	213			12	12	11	11	11	10	10	9.5						
			500		.70	.27	.09	.05	.02							.69	.81	1.0	1.3	1.6	1.9	2.5	3.5							
			750	1.5	1.05	.40	.14	.07	.03	58	83	112	162	215			12	12	12	12	12	11	11	11						
			1,000		1.41	.54	.18	.10	.04							.79	.93	1.1	1.3	1.7	2.0	2.6	3.6							
				"C"	2,000	2.0	2.81	1.07	.36	.19	.07	59	86	113	163	215	13	12	12	12	12	12	11	11						
					3,500		4.91	1.87	.63	.34	.13						.98	1.2	1.3	1.5	1.8	2.2	2.8	3.7						
					5,000	2.4	7.02	2.67	.89	.48	.18	61	86	113	163	215	13	12	12	12	12	12	12	11						
					7,500		10.5	4.00	1.34	.72	.27						1.3	1.5	1.7	1.9	2.2	2.6	3.2	4.1						
					10,000	2.7	14.0	5.34	1.78	.96	.36	64	89	115	167	217	13	12	12	12	12	12	12	12						
					15,000		21.1	8.01	2.68	1.45	.53						1.5	1.8	2.1	2.3	2.6	2.9	3.6	4.4						
				20,000	3.0	28.1	10.7	3.57	1.93	.71	67	92	117	169	219	13	12	12	12	12	12	12	12							
				25,000		35.1	13.4	4.46	2.41	.89						1.9	2.2	2.4	2.5	2.9	3.3	4.1	4.8							
				50,000	4.9	70.2	26.7	8.92	4.81	1.77	70	95	123	173	225	13	12	12	12	12	12	12	12							
				75,000		105	40.1	13.4	7.22	2.66						2.9	3.4	3.6	3.8	4.2	4.6	5.4	6.1							
				100,000	7.1	140	53.4	17.9	9.63	3.55	74	99	127	177	231	12	12	12	12	12	12	12	12							
				150,000		211	80.1	26.8	14.5	5.32						3.6	4.3	4.5	4.7	5.1	5.4	6.2	6.9							
		200,000																												
		250,000																												

(NOTE) For speeds not shown on the pump hydraulic charts, consult factory.



GF

PUMP HYDRAULIC SIZE CHART

SEC. 500

Page 49

January 2010

**8 GPM
580 RPM**

NOMINAL		ROTOR TRIM	VISCOSITY (SSU)	N.I.P.R. (PSIA)	FRICTION PIPE LOSS (PSI/FT) (Based on Sch 40 Steel Pipe)					FULL BYPASS RELIEF VALVE PRESSURE (PSI)					CAPACITY (GPM) / H.P. REQUIRED																													
CAP. GPM	SPEED RPM				PIPE DIAMETER					CRACKING PRESS. (PSI)					DIFFERENTIAL PRESSURE (PSI)																													
					LOW PRES R/V		HI PRES R/V			MEDIUM DUTY AND HEAVY DUTY				HEAVY DUTY ONLY																														
					50	75	100	150	200	50	75	100	150	200	25	50	75	100	150	200	300	400																						
8	580	STD	28	1.1	.01	.01	.01	.01	.01	56	81	106			6	5	4.5	4																										
			32		.06	.02	.01	.01	.01							.21	.35	.47	.61																									
			38	1.1	.07	.03	.01	.01	.01	56	81	106	157			6.5	6	5.5	4.5	4																								
			50		.09	.03	.01	.01	.01							.34	.40	.57	.74	.92																								
			70	1.1	.10	.04	.01	.01	.01	56	81	107	158	209		7	6.5	6	6	5.5	4.5																							
			100		.10	.04	.01	.01	.01							.36	.42	.59	.76	.98	1.2																							
			150	1.1	.15	.05	.02	.01	.01	57	82	108	158	211		7.5	7.5	7	6.5	6.5	6	6	6	5																				
			200		.24	.08	.03	.02	.01							.41	.48	.63	.78	1.0	1.2	1.7	2.2																					
			300	1.1	.31	.12	.04	.02	.01	57	82	109	159	212		8	8	7.5	7	7	7	6.5	6																					
			500		.51	.19	.07	.04	.01							.46	.54	.69	.84	1.1	1.3	1.7	2.3																					
			750	1.1	.77	.29	.10	.05	.02	57	82	111	161	214		8.5	8	8	8	8	7	7.5	7																					
			1,000		1.02	.39	.14	.07	.03							.53	.62	.76	.89	1.1	1.4	1.7	2.4																					
		"C"	2,000	1.5	2.04	.78	.26	.14	.05	58	85	112	162	214	8.5	8.5	8	8	8	8	7.5	7.5																						
			3,500		3.57	1.36	.46	.25	.09						.66	.77	.88	.99	1.2	1.5	1.9	2.5																						
			5,000	1.9	5.01	1.94	.65	.35	.13	60	85	112	162	214	8.5	8.5	8	8	8	8	8	7.5	7.5																					
			7,500		7.65	2.91	.97	.53	.19						.84	.99	1.1	1.3	1.5	1.7	2.1	2.7																						
			10,000	2.2	10.2	3.88	1.30	.70	.26	63	88	114	166	216	8.5	8.5	8	8	8	8	8	7.5	7.5																					
			15,000		15.3	5.83	1.95	1.05	.39							1.0	1.2	1.3	1.4	1.6	1.9	2.4	2.9																					
			20,000	2.5	20.4	7.77	2.59	1.40	.52	66	91	116	168	218	8.5	8.5	8	8	8	8	8	8	8																					
			25,000		25.5	9.71	3.24	1.75	.65							1.0	1.2	1.4	1.5	1.7	2.0	2.5	3.0																					
			50,000	4.0	51.1	19.4	6.50	3.50	1.29	68	93	120	170	222	8.5	8.5	8	8	8	8	8	8	8																					
			75,000		76.5	29.1	9.73	5.25	1.93							1.6	1.9	2.1	2.2	2.4	2.7	3.2	3.7																					
			100,000	6.0	102	38.9	13.0	7.00	2.58	70	95	122	172	224	8.5	8	8	8	8	8	8	8	8																					
			150,000		153	58.3	19.5	10.5	3.87							2.1	2.5	2.6	2.7	3.0	3.2	3.7	4.2																					
		200,000	9.4	204	77.7	26.0	14.0	5.15	76	101	130	180	236	8.5	8.5	8.5	8.5	8	8	8	8	8																						
		250,000		-	-	-	-	-							2.5	3.0	3.1	3.2	3.4	3.7	4.2	4.7																						

(NOTE) For speeds not shown on the pump hydraulic charts, consult factory.