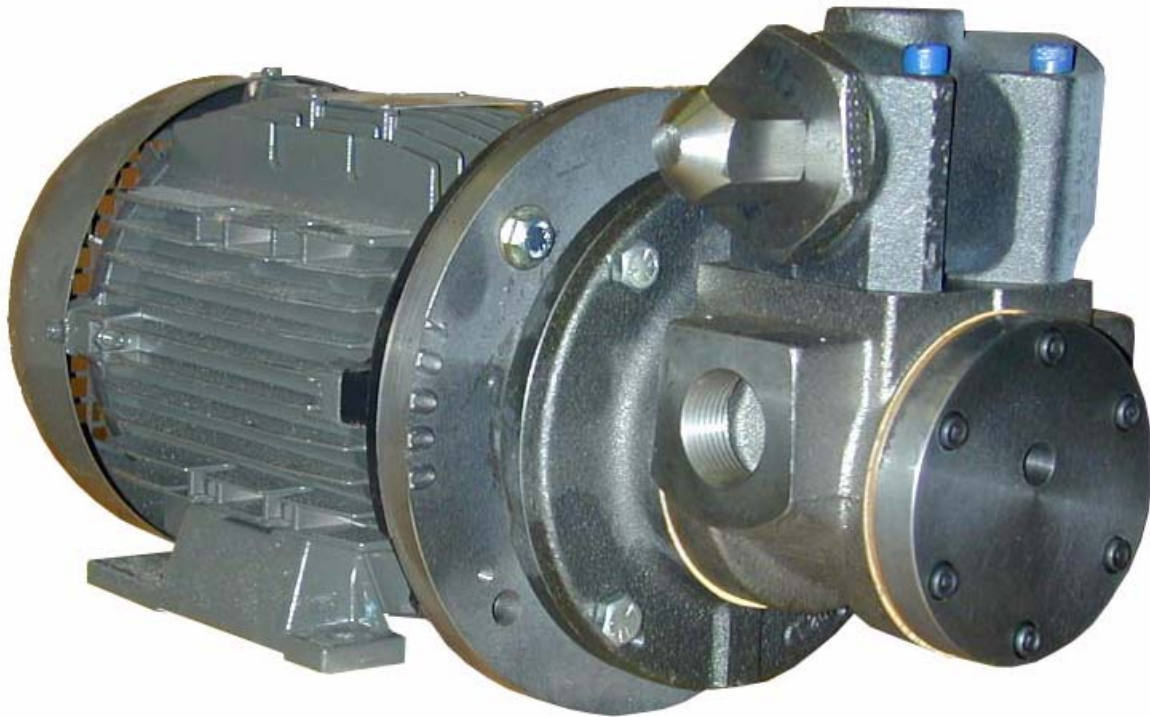


**GMC SERIES
 MEDIUM DUTY COMPACT
 ROTARY GEAR PUMP**



The GMC series is designed for applications in the operating ranges noted below. Direct connecting to other pieces of equipment provides an extremely compact system design.

The six sizes of Gorman-Rupp close coupled pumps connect to standard NEMA "C" flanges. Rotor shaft bores accept standard motor shafts; 5/8" standard, 7/8", 1-1/8" and 1-3/8" are optional. Metric coupling also available.

At synchronous speeds, extra drive equipment, including couplings or outboard bearings, is not required.

For continuous service, or for handling viscous liquids, see the heavy duty GHS section.

FEATURES

*200 PSI CAPABILITY
 COMPACT-NEMA C MOUNTING - NO
 DRIVE COUPLING OR GUARD
 ACCURATE ALIGNMENT
 INEXPENSIVE PUMP/DRIVE UNIT
 THRUST CONTROLLED PUMP
 ELEMENTS
 LONG LIFE - QUIET OPERATION
 MULTIPLE PORT POSITIONING*

OPERATING RANGE

CAPACITY (GPM) : (3 TO 38)
 [LPM] : [11 TO 144]

PRESSURE (PSI) : (0 TO 200)
 [BAR] : [0 TO 14]

VISCOSITY (SSU) : (28 TO 250,000)
 [cSt] : [1 TO 55,000]

TEMPERATURE (F) : (-60° TO 300°)
 [C] : [-51° TO 149°]

APPLICATIONS

USE WITH ANY CLEAN LIQUID
 COMPATIBLE WITH CAST
 IRON

- ★ BOOSTER SERVICE
- ★ CIRCULATING
- ★ FILTERING
- ★ LUBRICATING
- ★ TRANSFERRING

THE GORMAN-RUPP COMPANY • MANSFIELD, OHIO
 GORMAN-RUPP OF CANADA LIMITED • ST. THOMAS, ONTARIO, CANADA

EXTERIOR	ROTOR & IDLER	HOUSING PORTS	BUSHINGS	IDLER PIN	SHAFT	SHAFT SEALING		ROTATION	INTERNAL RELIEF VALVE	
						MECH. SEAL	LIPSEAL		MATERIAL	SETTING
CAST IRON	HIGH STRENGTH IRON	180° TAPPED	BRONZE	HARDENED STEEL	STEEL	VITON	BUNA-N	C.W.	DUCTILE IRON	75 PSI [5 BAR]

Standard Models

G M C 1 DC 3 - B
 | | | | | | | |
 GEAR DUTY DESIGN PORT-SIZE HYDRAULIC SEAL STYLE
 SIZE SIZE

MODEL NUMBER	NOM. CAPACITY - SPEED				MAXIMUM				SHIPPING DATA	
	MAXIMUM		ALTERNATIVE		DIFFERENTIAL PRESSURE - PSI [BAR]			TEMP.	Weight	Volume
	GPM [LPM]	RPM 60 Hz [50 HZ]	GPM [LPM]	RPM 60 Hz [50 HZ]	BELOW 38 SSU [4 cSt]	38 TO 100 SSU [21 cSt]	100 TO 250,000 SSU [55,000 cSt]	°F [°C]	LBS [KG]	CU. FT.
GMC 1DC 3-B ● GMC 1DC 4-B ■	9 [28]		6 [19]					● 300 [149] ■ 225 [107]	20 [9,0]	0.6
GMC 1DE 3-B ● GMC 1DE 4-B ■	11 [35]		7 [22]				20 [9,0]		0.6	
GMC 1-1/2GC 3-B ● GMC 1-1/2GC 4-B ■	16 [50]		10 [32]				32 [14,5]		0.6	
GMC 2GC 3-B ● GMC 2GC 4-B ■							32 [14,5]		0.6	
GMC 1-1/2GF 3-B ● GMC 1-1/2GF 4-B ■	23 [73]	1750 [1460]	15 [47]	1150 [960]	100 [7]	150 [10]	200 [14]		32 [14,5]	0.6
GMC 2GF 3-B ● GMC 2GF 4-B ■										
GMC 1-1/2GH 3-B ● GMC 1-1/2GH 4-B ■	31 [98]		20 [63]				32 [14,5]		0.6	
GMC 2GH 3-B ● GMC 2GH 4-B ■							32 [14,5]		0.6	
GMC 1-1/2GJ 3-B ● GMC 1-1/2GJ 4-B ■	38 [120]		25 [79]				32 [14,5]		0.6	
GMC 2GJ 3-B ● GMC 2GJ 4-B ■							32 [14,5]		0.6	

NOTE: RECOMMENDED PORT SIZES ARE SHOWN IN **BOLDFACE**. Example: **GMC 2GJ 3-B**

NOTE: PROPER PUMP APPLICATION REQUIRES CONSIDERATION OF ADDITIONAL FACTORS. PLEASE REVIEW APPLICATION GUIDE IN SECTION 500 OR CONSULT THE FACTORY.

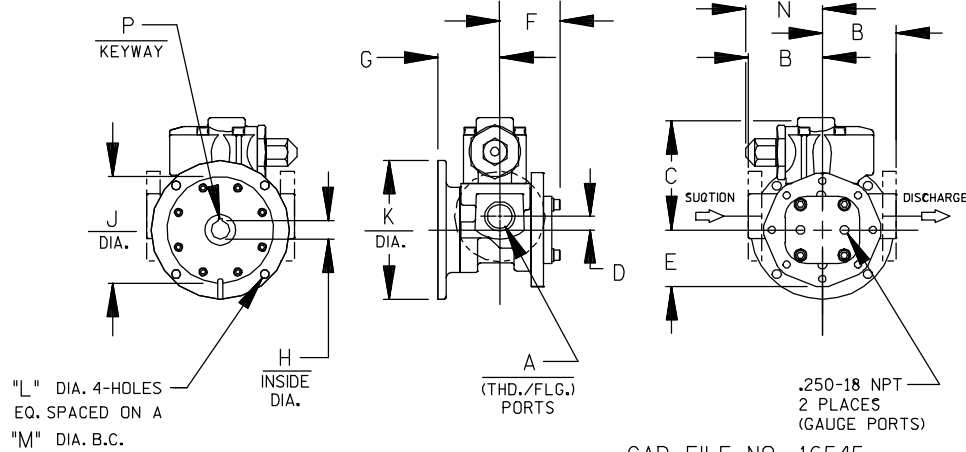
THE GORMAN-RUPP COMPANY • MANSFIELD, OHIO
 GORMAN-RUPP OF CANADA LIMITED • ST. THOMAS, ONTARIO, CANADA

Basic Pump Dimensions

* STANDARD DIMENSION

† 90° HOUSING

MOTOR FRAMES 56C, 143TC, 145TC, 182C, 184C



CAD FILE NO.: 16545

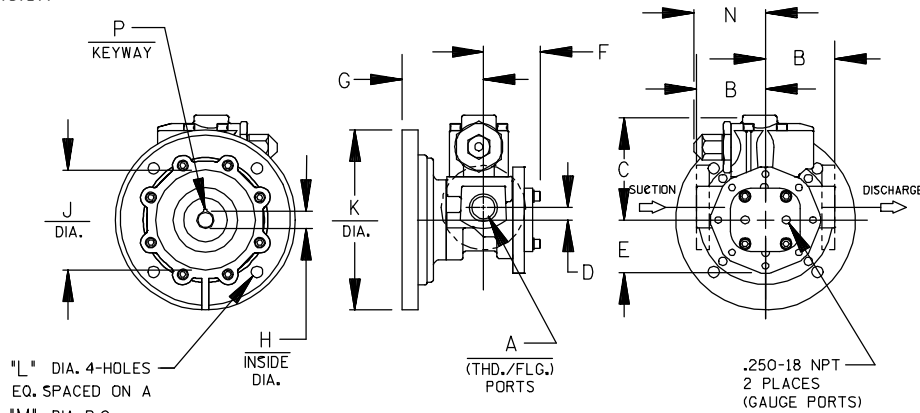
PUMP MODEL	PUMP DIMENSIONS - INCHES [MM]							PUMP MOUNTING DIMENSIONS							
	A	B	C	D	E	F	G	H	J	K	L	M	N	P	
GMC D	1"	2.50 † [64]	5.19 [132]	.62 [16]	2.67 [68]	2.73 [69]	2.79 [71]	.62 † [16]	4.50 [114]	6.50 [165]	.41 [10]	5.88 [149]	3.58 [91]	.19 [5]	1.66 [42]
		2.75 * [70]													
GMC G	1-1/2"	3.50 † [89]	6.00 [152]	.62 [16]	3.25 [82]	3.34 [85]	2.86 [73]	.62 † [16]	4.50 [114]	6.50 [165]	.41 [10]	5.88 [149]	3.62 [92]	.19 [5]	1.69 [43]
		3.75 * [95]													

OPTIONAL (WITH ADAPTOR PLATE)

MOTOR FRAMES 182TC, 184TC, 213C, 213TC, 215C, 215TC, 254C, AE90, AE100, AE112

* STANDARD DIMENSION

† 90° HOUSING



CAD FILE NO.: 16579

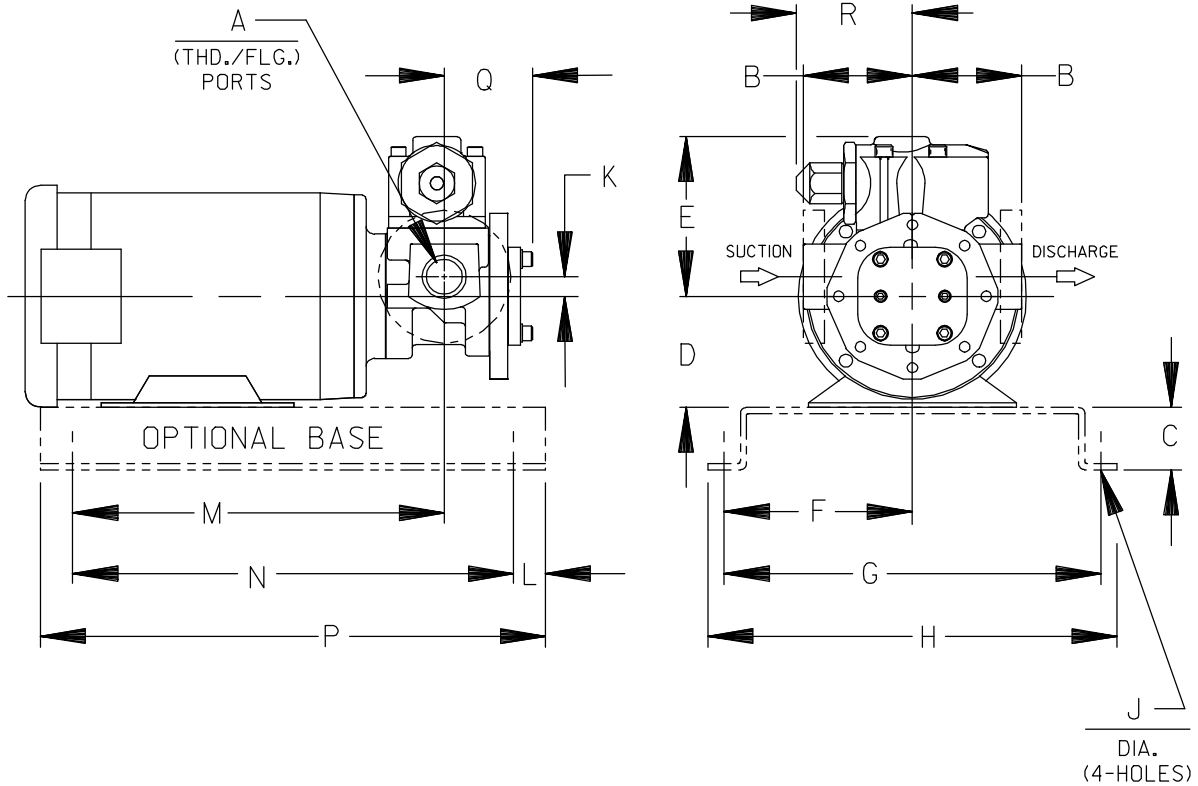
PUMP MODEL	PUMP DIMENSIONS - INCHES [MM]							PUMP MOUNTING DIMENSIONS							
	A	B	C	D	E	F	G	H	J	K	L	M	N	P	
GMC D [METRIC]	AE90 AE110/112	1"	† [64]	[132]	[16]	[68]	[69]	[117]	† [24]	[130]	[200]	[12]	[165]	[91]	[8] X [46]
			* [70]						[28]						
GMC G	1-1/2"	2"	† [89]	6.00 [152]	.62 [16]	3.25 [82]	3.34 [85]	4.62 [117]	† [112]	8.50 [216]	9.00 [229]	.53 [14]	7.25 [184]	3.62 [92]	† [25]
			* [95]						[28]						[216]
GMC G [METRIC]	AE90 AE110/112	2"	[95]	[152]	[16]	[82]	[85]	[119]	† [24]	[130]	[200]	[12]	[165]	[91]	† [8] X [46]
									[28]						[180]

THE GORMAN-RUPP COMPANY • MANSFIELD, OHIO

GORMAN-RUPP OF CANADA LIMITED • ST. THOMAS, ONTARIO, CANADA



DIRECT CLOSE COUPLED C-FLANGE DRIVE OPTION DIMENSIONS



CAD FILE NO: 16503

PUMP MODEL	PUMP DIMENSIONS																			
	A	MOTOR FRAME	B	C	D	E	F	G	H	J	K	L	M	N	P	Q	R			
GMC D	1"	56C	2.50 † [64]	2.00 [51]	3.50* [89]	5.19 [132]	6.25 [159]	12.50 [318]	14.50 [368]	.56 [14]	.63 [16]	2.00 [51]	11.11 [282]	12.75 [324]	16.75 [425]	2.74 [70]	3.58 [91]			
		143TC/145TC	4.50 [114]		11.42 [290]															
		1820/184C	2.75* [70]		11.92 [303]															
GMC G	1-1/2"	56C	3.50 † [89]	2.00 [51]	3.50 [89]	6.00 [152]	6.25 [159]	12.50 [318]	14.50 [368]	.56 [14]	.63 [16]	2.00 [51]	11.18 [284]	12.75 [324]	16.75 [425]	3.34 [85]	3.62 [92]			
		143TC/145TC			4.50 [114]								11.49 [292]							
	2"	182C/184C	3.75* [95]	4.50 [114]	5.25 [133]	12.00 [305]	12.49 [317]	12.86 [327]	.56 [14]	.63 [16]	2.00 [51]	12.00 [305]	12.49 [317]	12.86 [327]	12.75 [324]	16.75 [425]	3.34 [85]	3.62 [92]		
		182TC/184TC																	4.50 [114]	12.00 [305]
		213TC/215TC																	5.25 [133]	12.86 [327]

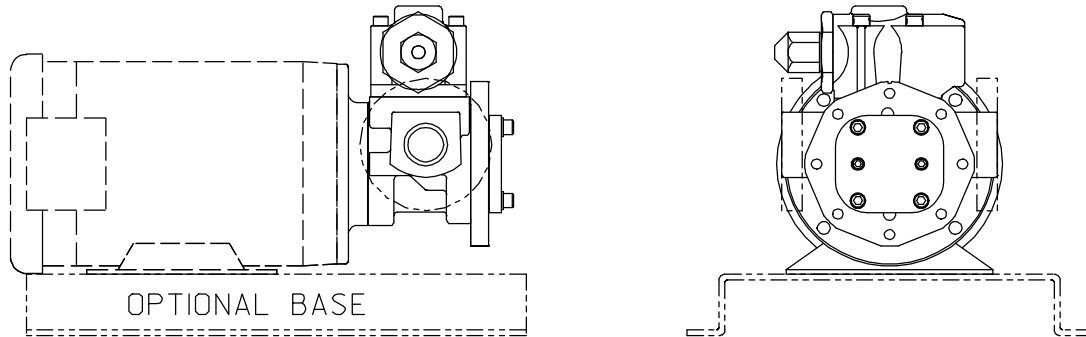
* STANDARD DIMENSION

† 90° HOUSING



1 PHASE DIRECT CLOSE COUPLED C-FLANGE DRIVE OPTIONS

(Drive Assembly Number Is For Motor Only)



16503.S01

PUMP MODEL NUMBER	1 PHASE		FRAME	115/230 VOLTS DRIVE ASSY NO.		
	RPM	HP		OPEN	TEFC	EXPLOSION PROOF
GMC D/G	1750	.75	56C	91111-540	91121-540	91131-540
		1.00	56C	91111-542	91121-542	91131-542
		1.50	56C	91111-546	91121-546	91131-546
		1.50	184C (a)			91131-547
		2.00	145TC (a)	91111-550		91131-550
		2.00	184C (a)		91121-550	
	1140	.75	56C	91111-580	91121-580	91131-580

(a) REQUIRES OPTION 50A OR 50J

NOTE: CONSULT FACTORY FOR:

- | | |
|-----------------------------------|---|
| 1. HORSEPOWERS & FRAMES NOT SHOWN | 5. 50 HERTZ 380 VOLT MOTORS |
| 2. DRIP PAN BASES | 6. FOR OPTIONAL BASE SEE PRICE PAGES |
| 3. 115-208/230 VOLT MOTORS | 7. COUNTER-CLOCKWISE ROTATION FOR SINGLE PHASE MOTORS |
| 4. 208-230/460 VOLT MOTORS | |



3 PHASE DIRECT CLOSE COUPLED C-FLANGE DRIVE OPTIONS

(Drive Assembly Number Is For Motor Only)

PUMP MODEL NUMBER	3 PHASE		FRAME	230/460 VOLTS DRIVE ASSY NO.		
	RPM	HP		OPEN	TEFC	EXPLOSION PROOF
GMC D/G	1750	.75	56C	91141-540	91151-540	91161-540
		1.00	143TC (a)	91141-542		
		1.00	56C		91151-542	91161-542
		1.50	145TC (a)	91141-546		
		1.50	56C		91151-546	91161-546
		2.00	145TC (a)	91141-550	91151-550	
		2.00	56C			91161-550
		3.00	145TC (a)	91141-554		
		3.00	56C		91151-554	
GMC G	1750	5.00	184C (a)	91141-558	91151-558	
		3.00	182TC (b)			91161-554
		5.00	184TC (b)			91161-558
		7.50	213TC (c)	91141-572	91151-572	91161-572
GMC D/G	1150	10.00	215TC (c)	91141-576	91151-576	91161-576
		.75	56C	91141-580	91151-580	91161-580
		1.00	56C	91141-582	91151-582	91161-582
		1.00	56C	91141-586		
		1.50	145TC (a)		91151-586	91161-586
		1.50	182C (a)			91161-588
GMC G	1150	2.00	184C (a)		91151-590	91161-590
		2.00	184TC (b)	91141-700	91141-700	
		3.00	213TC (c)	91141-704	91151-704	91161-704
GMC D	850	5.00	215TC (c)	91141-708	91151-708	91161-708
		.75	184C (a)		91151-720	
GMC G	850	1.00	182TC (b)	91141-730	91151-730	
		1.50	184TC (b)	91141-734	91151-734	
		2.00	213TC (c)	91141-738	91151-738	
		3.00	215TC (c)	91141-742	91151-742	

- (a) REQUIRES OPTION 50A OR 50J
- (b) REQUIRES OPTION 70A AND 50B OR 50K
- (c) REQUIRES OPTION 70A AND 50C OR 50L

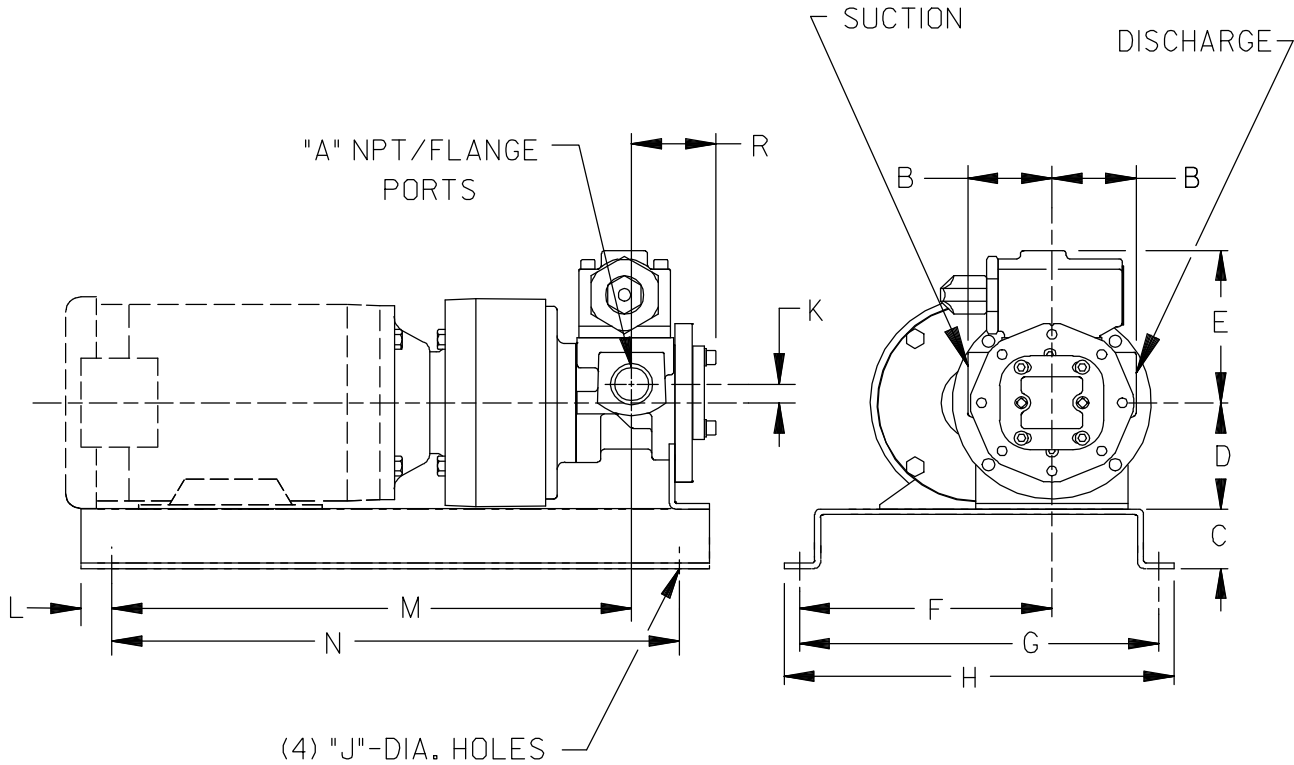
NOTE: CONSULT FACTORY FOR:

- | | |
|-----------------------------------|---|
| 1. HORSEPOWERS & FRAMES NOT SHOWN | 5. 50 HERTZ 380 VOLT MOTORS |
| 2. DRIP PAN BASES | 6. FOR OPTIONAL BASE SEE PRICE PAGES |
| 3. 115-208/230 VOLT MOTORS | 7. COUNTER-CLOCKWISE ROTATION FOR SINGLE PHASE MOTORS |
| 4. 208-230/460 VOLT MOTORS | |



GRR REDUCER CLOSE COUPLED C-FLANGE DRIVE OPTION DIMENSIONS

(Drive Assembly Number Includes Gear Reducer and Base, But **NOT** the Motor)



CAD FILE NO.: 16390B

PUMP MODEL	UNIT DIMENSIONS														
	"A"	MOTOR FRAME	B	C	D	E	F	G	H	J	K	L	M	N	R
GMC D	1"	56C	2.50 † [70]	2.00 [51]	3.50 [89]	5.19 [132]	6.50 [165]	13.00 [330]	15.00 [381]	.56 [14]	.63 [16]	3.00 [76]	14.22 [361]	25.50 [648]	2.66 [68]
		143TC/145TC	2.75* [70]		4.50 [114]										
GMC G	1 1/2"	56C	3.50 † [89]	2.00 [51]	3.50 [89]	6.00 [152]	6.50 [165]	13.00 [330]	15.00 [381]	.56 [14]	.63 [16]	3.00 [76]	14.16 [360]	25.50 [648]	3.27 [83]
		143TC/145TC	3.75* [95]		4.50 [114]										
		184C													

* STANDARD DIMENSION

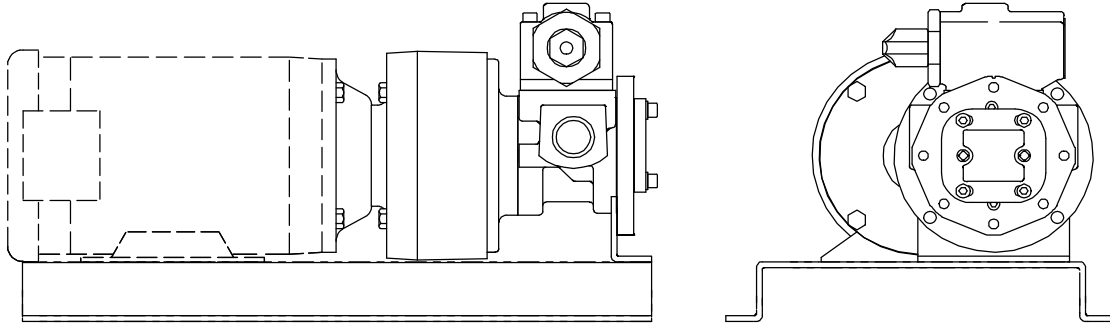
† 90° HOUSING



GMC

GRR REDUCER CLOSE COUPLED C-FLANGE DRIVE OPTIONS

(Drive Assembly Number Includes Gear Reducer and Base, But **NOT** the Motor)



PUMP MODEL NUMBER	RPM @ 1750	RPM @ 1150	REDUCER ①		FRAME	DRIVE ASSY NO.	
			MAX HP @ 1750	MAX HP @ 1150			
GMC D ②	875	575	2.00:1	5.65	3.73	56C	90153-510
				11.70	7.72	143TC/145TC	90153-519
				11.70	7.72	182C/184C	90153-522
	580	383	3.00:1	3.76	2.48	56C	90123-533
				8.10	5.35	143TC/145TC	90153-536
				8.10	5.35	182C/184C	90153-542
	440	288	4.00:1	2.82	1.86	56C	90153-550
				5.90	3.89	143TC/145TC	90153-553
				5.90	3.89	182C/184C	90153-559
	350	238	5.00:1	2.26	1.49	56C	90153-570
				5.20	3.43	143TC/145TC	90153-573
				5.20	3.43	182C/184C	90153-579
GMC G ②	875	575	2.00:1	5.65	3.73	56C	90153-610
				11.70	7.72	143TC/145TC	90153-613
				11.70	7.72	182C/184C	90153-629
	580	383	3.00:1	3.76	2.48	56C	90153-630
				8.10	5.35	143TC/145TC	90153-633
				8.10	5.35	182C/184C	90123-642
	440	288	4.00:1	2.82	1.86	56C	90153-660
				5.90	3.89	143TC/145TC	90153-663
				5.90	3.89	182C/184C	90153-672
	350	238	5.00:1	2.26	1.49	56C	90153-690
				5.20	3.43	143TC/145TC	90153-693
				5.20	3.43	182C/184C	90153-702

① Listed reducer horsepower rated for Standard Service (8-10 hrs/day). For Light Service (3-5 hrs/day) multiply maximum rated horsepower by 1.1. For Heavy Service (16-24 hrs/day) multiply maximum rated horsepower by 0.9.

② Use adds/deletes for large diameter head and coverplate kit if required.

NOTES:
CONSULT FACTORY FOR:
HORSEPOWERS AND FRAMES NOT SHOWN.
DRIP PAN BASES.



PERFORMANCE CURVES

SPEED VS. CAPACITY/HORSEPOWER

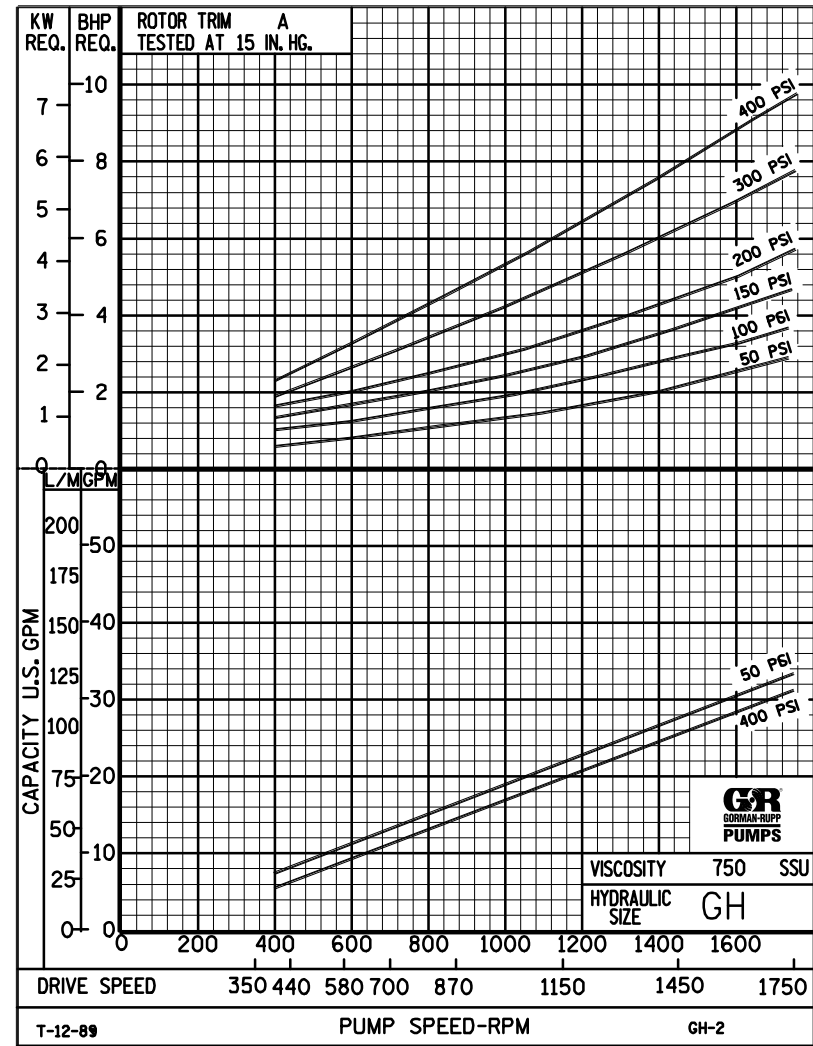
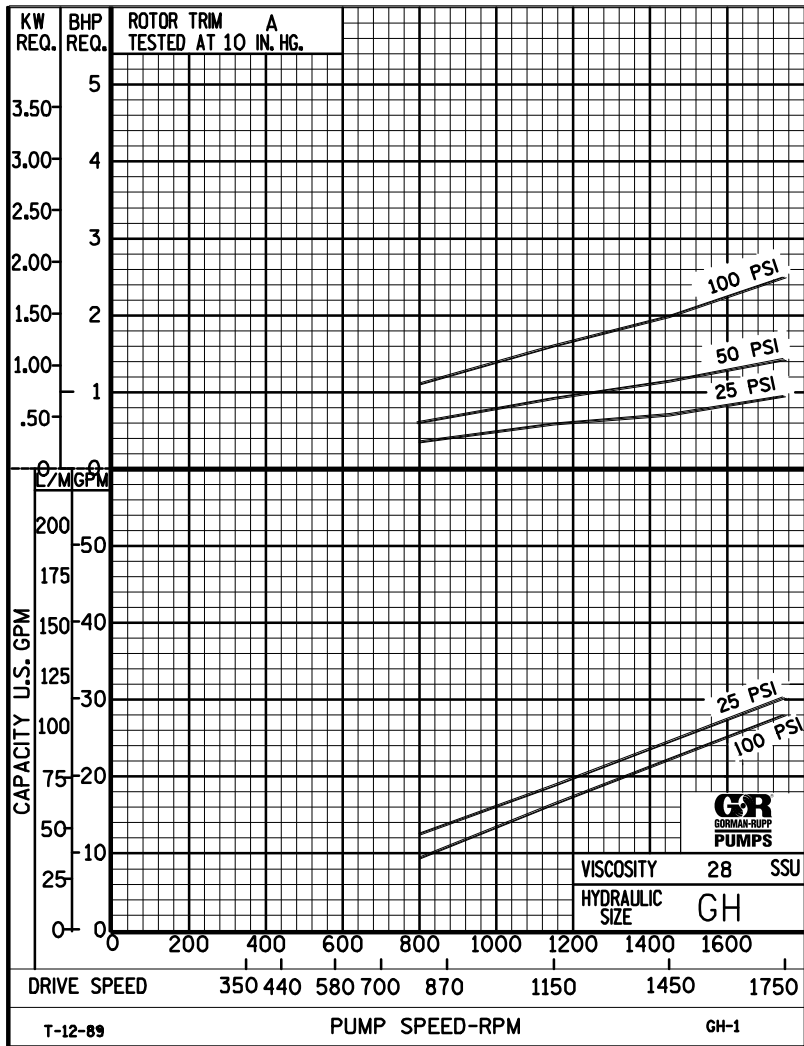
GH

Hydraulic Size

SEC. 500

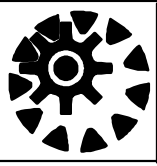
Page 50

January 2010



THE GORMAN-RUPP COMPANY • MANSFIELD, OHIO
 GORMAN-RUPP OF CANADA LIMITED • ST. THOMAS, ONTARIO, CANADA

Printed in U.S.A.



PERFORMANCE CURVES

SPEED VS. CAPACITY/HORSEPOWER

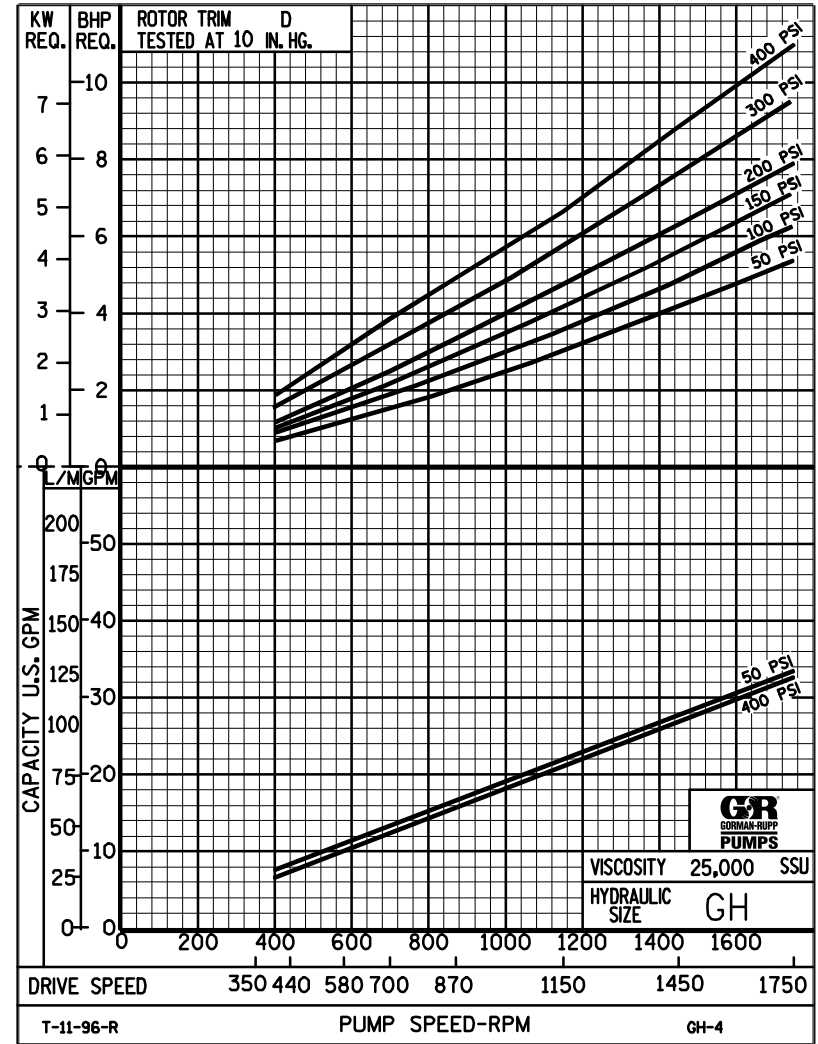
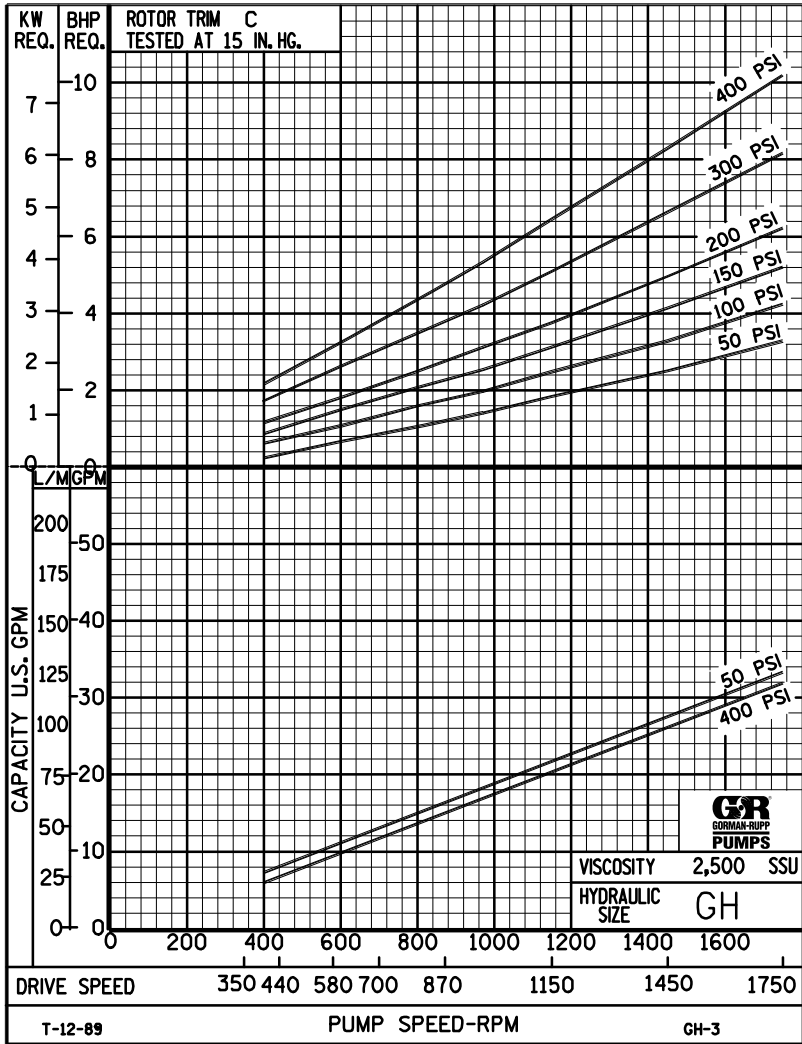
GH

Hydraulic Size

SEC. 500

Page 51

January 2010



THE GORMAN-RUPP COMPANY • MANSFIELD, OHIO
GORMAN-RUPP OF CANADA LIMITED • ST. THOMAS, ONTARIO, CANADA

Printed in U.S.A.



GH

PUMP HYDRAULIC SIZE CHART

SEC. 500

Page 52
January 2010

**31 GPM
1750 RPM**

NOMINAL		ROTOR TRIM	VISCOSITY (SSU)	N.I.P.R. (PSIA)	FRICTION PIPE LOSS (PSI/FT) <small>(Based on Sch 40 Steel Pipe)</small>					FULL BYPASS RELIEF VALVE PRESSURE (PSI)					CAPACITY (GPM) / H.P. REQUIRED										
					PIPE DIAMETER					CRACKING PRESS. (PSI)					DIFFERENTIAL PRESSURE (PSI)										
CAP. GPM	SPEED RPM				3/4"	1"	1 1/4"	1 1/2"	2"	LOW PRES R/V					MEDIUM DUTY AND HEAVY DUTY				HEAVY DUTY ONLY						
										50	75	100	150	200	25	50	75	100	150	200	300	400			
31	1750	STD	28	4.2	.01	.01	.01	.01	.01	68	97	126			30	29	28	28							
			32		.61	.19	.05	.03	.01							.95	1.4	2.0	2.5						
			38	4.2	.78	.25	.07	.03	.01	68	97	126	176			31	30	29	29	28					
			50		.93	.30	.08	.04	.01							1.2	1.8	2.5	2.7	3.9					
			70	4.2	1.02	.35	.09	.05	.02	70	99	128	176	230		32	31	31	30	29	29				
			100		1.22	.39	.11	.05	.02							1.4	2.0	2.6	3.0	4.2	5.0				
			150	4.2	1.35	.44	.12	.06	.02	72	101	130	176	232		32	32	32	31	31	30	29	28		
			200		1.58	.52	.13	.07	.03							1.6	2.3	2.8	3.3	4.4	5.2	7.3	9.3		
			300	4.2	1.80	.61	.16	.08	.03	72	101	130	177	234		33	32	32	32	31	31	30	30		
			500		1.98	.75	.25	.14	.05							1.9	2.8	3.1	3.7	4.8	5.6	7.5	9.6		
		750	4.2	2.97	1.13	.38	.21	.08	74	102	132	177	235		33	33	33	33	32	32	31	30			
		1,000		3.96	1.51	.51	.27	.10							2.0	3.0	3.5	3.8	5.0	5.8	7.7	9.8			
		2,000	5.5	7.91	3.01	1.00	.54	.20	76	103	133	178	238		33	33	33	33	33	32	32	31			
		3,500		13.9	5.27	1.76	.95	.35							2.2	3.3	4.0	4.5	5.5	6.5	8.4	11			
		5,000	6.3	20.0	7.53	2.52	1.36	.50	80	105	137	180	240		33	33	33	33	33	32	32	31			
		7,500		29.7	11.3	3.77	2.04	.75							2.9	4.4	5.0	5.4	6.4	7.3	9.2	11.0			
		10,000	7.1	39.6	15.1	5.03	2.71	1.00	84	109	140	182	242		33	33	33	33	33	32	32	32			
		15,000		59.3	22.6	7.54	4.07	1.50							3.7	5.5	6.0	6.6	7.6	8.5	10	12			
		20,000	7.8	79.1	30.1	10.1	5.43	2.00	88	113	144	184	244		33	33	33	33	33	32	32	32			
		25,000		98.9	37.6	12.6	6.78	2.50							4.7	6.8	7.4	7.9	8.9	9.9	12	14			
50,000																									
75,000																									
100,000																									
150,000																									
200,000																									
250,000																									

(NOTE) For speeds not shown on the pump hydraulic charts, consult factory.



GH

PUMP HYDRAULIC SIZE CHART

SEC. 500

Page 53

January 2010

**20 GPM
1150 RPM**

NOMINAL		ROTOR TRIM	VISCOSITY (SSU)	N.I.P.R. (PSIA)	FRICTION PIPE LOSS (PSI/FT) <small>(Based on Sch 40 Steel Pipe)</small>					FULL BYPASS RELIEF VALVE PRESSURE (PSI)					CAPACITY (GPM) / H.P. REQUIRED														
CAP. GPM	SPEED RPM				PIPE DIAMETER					CRACKING PRESS. (PSI)					DIFFERENTIAL PRESSURE (PSI)														
		3/4"	1"	1 1/4"	1 1/2"	2"	LOW PRES R/V					MEDIUM DUTY AND HEAVY DUTY				HEAVY DUTY ONLY													
							50	75	100	150	200	25	50	75	100	150	200	300	400										
20	1150	STD	28	2.3	.01	.01	.01	.01	.01	63	89	114			18	18	17	16											
			32		.28	.09	.03	.01	.01							.58	.91	1.3	1.6										
			38	2.3	.36	.12	.03	.02	.01	63	89	114	164			19	19	18	17	17									
			50		.44	.14	.04	.02	.01							.66	1.1	1.4	1.7	2.3									
			70	2.3	.49	.15	.04	.02	.01	64	90	116	166	228		20	20	19	18	18	17								
			100		.58	.19	.05	.02	.01							.83	1.2	1.6	1.9	2.6	2.9								
			150	2.3	.64	.21	.06	.03	.01	64	90	116	166	228		21	20	20	19	18	18	17	16						
			200		.68	.25	.08	.04	.02							.91	1.3	1.7	2.0	2.8	3.3	4.5	5.9						
			300	2.3	.78	.30	.10	.06	.02	65	91	120	167	230		21	21	21	20	20	19	19	18						
			500		1.28	.49	.16	.09	.03							1.0	1.5	1.8	2.1	2.9	3.5	4.9	6.0						
			750	2.3	1.92	.73	.24	.13	.05	65	91	120	167	230		22	21	21	21	21	21	20	20						
			1,000		2.55	.97	.33	.18	.07							1.2	1.7	2.2	2.4	3.0	3.6	4.9	6.2						
				"C"	2,000	3.1	5.10	1.94	.65	.35	.13	66	92	121	168	230	22	21	21	21	21	21	21	21	21	20			
					3,500		8.93	3.40	1.14	.61	.23							1.3	1.9	2.2	2.5	3.1	3.8	5.1	6.4				
					5,000	3.6	12.8	4.86	1.62	.88	.32	73	95	123	170	230	22	22	21	21	21	21	21	21	21	21	21		
					7,500		19.1	7.29	2.43	1.31	.49							1.7	2.5	2.7	3.0	3.7	4.4	5.6	6.9				
					10,000	4.1	25.5	9.71	3.24	1.75	.65	76	97	126	170	230	22	22	22	21	21	21	21	21	21	21	21		
					15,000		38.3	14.6	4.86	2.63	.97							2.6	3.0	3.4	3.7	4.4	5.1	6.3	7.6				
				20,000	4.6	51.0	19.4	6.49	3.50	1.29	79	101	128	172	230	22	22	22	21	21	21	21	21	21	21	21			
				25,000		63.8	24.3	8.11	4.38	1.61							3.5	3.7	4.1	4.4	5.1	5.7	7.0	8.3					
				50,000	7.3	128	48.6	16.2	8.75	3.22	84	107	132	178	235	22	22	22	21	21	21	21	21	21	21	21			
				75,000		191	72.8	24.3	13.1	4.83							5.4	5.7	6.3	6.8	7.4	8.2	9.6	11					
				100,000																									
				150,000																									
				200,000																									
		250,000																											

(NOTE) For speeds not shown on the pump hydraulic charts, consult factory.



GH

PUMP HYDRAULIC SIZE CHART

SEC. 500

Page 54

January 2010

**15 GPM
870 RPM**

NOMINAL		ROTOR TRIM	VISCOSITY (SSU)	N.I.P.R. (PSIA)	FRICTION PIPE LOSS (PSI/FT) <small>(Based on Sch 40 Steel Pipe)</small>					FULL BYPASS RELIEF VALVE PRESSURE (PSI)					CAPACITY (GPM) / H.P. REQUIRED													
CAP. GPM	SPEED RPM				PIPE DIAMETER					CRACKING PRESS. (PSI)					DIFFERENTIAL PRESSURE (PSI)													
		3/4"	1"	1 1/4"	1 1/2"	2"	LOW PRES R/V					MEDIUM DUTY AND HEAVY DUTY				HEAVY DUTY ONLY												
							50	75	100	150	200	25	50	75	100	150	200	300	400									
15	870	STD	28	1.6	.01	.01	.01	.01	.01	59	86	111				14	13	12	11									
			32		.17	.06	.02	.01	.01							.42	.68	.98	1.2									
			38	1.6	.22	.07	.02	.01	.01	59	86	111	161				14	14	13	12	12							
			50		.27	.09	.03	.01	.01								.48	.74	1.0	1.3	1.8							
			70	1.6	.30	.10	.03	.01	.01	60	87	113	163	215			15	14	14	13	13	13						
			100		.36	.12	.03	.02	.01								.67	.89	1.1	1.4	1.8	2.3						
			150	1.6	.41	.14	.05	.02	.01	60	87	113	163	217			16	15	15	14	14	14	13	12				
			200		.46	.18	.06	.03	.01								.74	.96	1.2	1.5	1.9	2.4	3.4	4.3				
			300	1.6	.58	.22	.08	.04	.02	60	87	115	165	219			16	16	15	15	15	15	14	13				
			500		.96	.37	.12	.07	.03								.82	1.0	1.3	1.5	2.0	2.5	3.5	4.5				
			750	1.6	1.44	.55	.18	.10	.04	60	87	115	165	222			16	16	16	16	16	15	15	14				
			1,000		1.92	.73	.25	.13	.05								.89	1.1	1.4	1.6	2.1	2.6	3.6	4.6				
		2,000	2.2	3.83	1.46	.49	.26	.10	62	90	115	165	222			16	16	16	16	16	16	15	15					
		3,500		6.70	2.55	.85	.46	.17								1.1	1.3	1.5	1.8	2.3	2.8	3.8	4.8					
		5,000	2.7	9.57	3.64	1.22	.66	.24	65	92	117	167	224			16	16	16	16	16	16	16	15					
		7,500		14.4	5.46	1.83	.99	.36								1.4	1.6	1.9	2.2	2.7	3.2	4.0	5.1					
		10,000	3.1	19.1	7.29	2.43	1.31	.49	68	94	119	169	224			16	16	16	16	16	16	16	16					
		15,000		28.7	10.9	3.65	1.97	.73								1.9	2.1	2.4	2.7	3.2	3.7	4.6	5.6					
		20,000	3.5	38.3	14.6	4.87	2.63	.97	72	97	122	172	224			16	16	16	16	16	16	16	16					
		25,000		47.8	18.2	6.08	3.28	1.21								2.4	2.6	2.9	3.1	3.7	4.2	5.1	6.1					
		50,000	5.8	95.7	36.4	12.2	6.56	2.42	77	102	127	177	229			16	16	16	16	16	16	16	16					
		75,000		144	54.6	18.3	9.85	3.63								3.8	4.0	4.3	4.5	5.0	5.5	6.5	7.5					
		100,000	8.4	191	72.8	24.3	13.1	4.83	85	110	135	185	239			16	16	16	16	16	16	16	16					
		150,000		-	-	-	-	-								4.6	4.8	5.1	5.4	5.8	6.4	7.3	8.3					
200,000																												
250,000																												

(NOTE) For speeds not shown on the pump hydraulic charts, consult factory.



GH

PUMP HYDRAULIC SIZE CHART

SEC. 500

Page 55

January 2010

**10 GPM
580 RPM**

NOMINAL		ROTOR TRIM	VISCOSITY (SSU)	N.I.P.R. (PSIA)	FRICTION PIPE LOSS (PSI/FT) <small>(Based on Sch 40 Steel Pipe)</small>					FULL BYPASS RELIEF VALVE PRESSURE (PSI)					CAPACITY (GPM) / H.P. REQUIRED													
CAP. GPM	SPEED RPM				PIPE DIAMETER					CRACKING PRESS. (PSI)					DIFFERENTIAL PRESSURE (PSI)													
		3/4"	1"	1 1/4"	1 1/2"	2"	LOW PRES R/V					MEDIUM DUTY AND HEAVY DUTY				HEAVY DUTY ONLY												
							50	75	100	150	200	25	50	75	100	150	200	300	400									
10	580	STD	28	1.2	.01	.01	.01	.01	.01	56	81	106			9	8.5	8	7.5										
			32		.08	.03	.01	.01	.01							.25	.41	.59	.73									
			38	1.2	.11	.04	.01	.01	.01	56	81	106	157			9.5	9	8.5	8	7.5								
			50		.13	.04	.01	.01	.01							.29	.45	.63	.80	1.1								
			70	1.2	.14	.05	.02	.01	.01	56	81	107	158	209			10	9.5	9.5	9	8.5	8.5						
			100		.14	.05	.02	.01	.01							.40	.54	.69	.84	1.1	1.4							
			150	1.2	.17	.07	.03	.02	.01	57	82	108	158	211			10	10	10	9.5	9.5	9	9	9	9	8		
			200		.30	.12	.04	.02	.01							.45	.58	.73	.88	1.2	1.4	2.0	2.6					
			300	1.2	.39	.15	.05	.02	.01	57	82	109	159	212			11	10	10	10	10	9.5	9.5	9				
			500		.64	.24	.08	.05	.02							.49	.62	.77	.92	1.2	1.5	2.1	2.7					
			750	1.2	.96	.36	.12	.07	.03	57	82	111	161	214			11	11	10	10	10	10	10	10	10	9.5		
			1,000		1.28	.49	.16	.09	.03							.54	.66	.82	.97	1.3	1.6	2.2	2.8					
		2,000	1.7	2.55	.97	.33	.18	.07	58	85	112	162	214			11	11	11	10	10	10	10	10	10	10			
		3,500		4.46	1.70	.57	.31	.12							.64	.76	.91	1.1	1.4	1.7	2.3	2.9						
		5,000	2.1	6.38	2.43	.81	.44	.16	60	85	112	162	214			11	11	11	11	10	10	10	10	10	10			
		7,500		9.57	3.64	1.22	.66	.24							.82	.97	1.1	1.3	1.6	1.9	2.4	3.0						
		10,000	2.5	12.8	4.86	1.62	.88	.32	63	88	114	166	216			11	11	11	11	10	10	10	10	10	10			
		15,000		19.2	7.29	2.43	1.31	.49							1.1	1.3	1.4	1.6	1.9	2.2	2.8	3.4						
		20,000	2.9	25.5	9.71	3.24	1.75	.65	66	91	116	168	218			11	11	11	11	10	10	10	10	10	10			
		25,000		31.9	12.2	4.05	2.19	.81							1.4	1.5	1.7	1.9	2.2	2.5	3.2	3.9						
		50,000	4.8	63.8	24.3	8.11	4.38	1.61	69	94	122	172	224			11	11	11	11	10	10	10	10	10	10			
		75,000		95.7	36.4	12.2	6.56	2.42							2.0	2.2	2.4	2.5	2.9	3.2	3.9	4.6						
		100,000	7.1	128	48.6	16.2	8.75	3.22	73	98	126	176	230			11	11	11	11	10	10	10	10	10	10			
		150,000		191	72.9	24.3	13.1	4.83							2.5	2.8	3.0	3.2	3.5	3.9	4.5	5.2						
200,000																												
250,000																												

(NOTE) For speeds not shown on the pump hydraulic charts, consult factory.