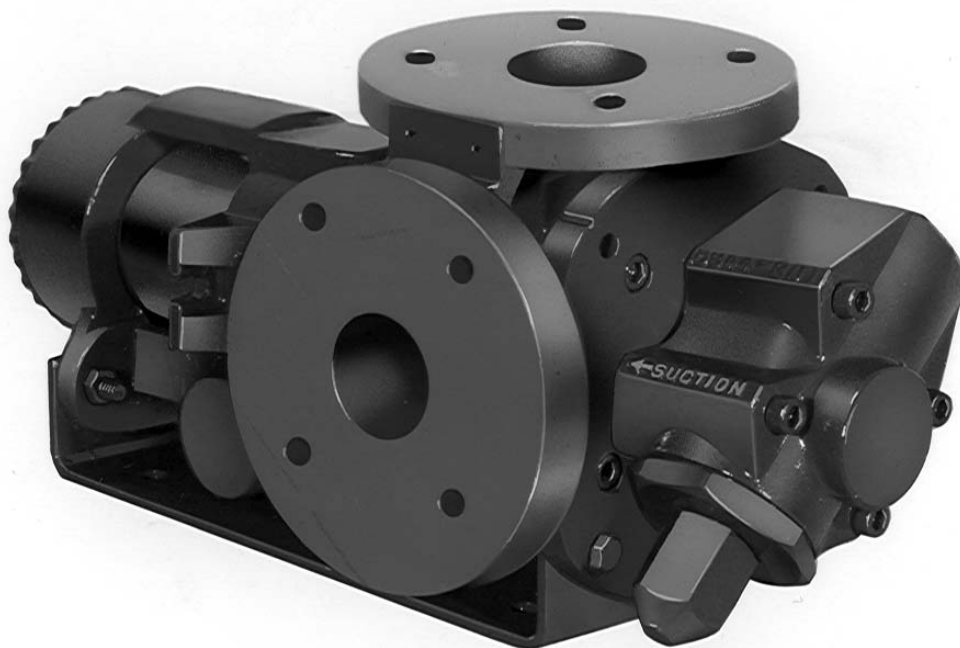


GHS SERIES Flexible Seal HEAVY DUTY STANDARD STEEL ROTARY GEAR PUMP

This heavy duty series pump is ideal for refining, petrochemical and applications requiring extra strength or shock resistance. The steel construction conforms to ASTM designation A216 Grade WCB. Superior rotor shaft support and an integral, maintenance-free radial/thrust bearing, reduce deflection and wear.



The GHS steel series is designed for applications in the operating ranges noted below. These units are available with head and backhead jackets for temperature control, carbon graphite bushings for low viscosity liquids, silicon carbide bushings for wear resistance, and numerous shaft seal options described on the following pages.

FEATURES

400 PSI CAPABILITY
BALL BEARING THRUST CONTROL
ROTOR END CLEARANCE EXTERNALLY ADJUSTABLE
HIGH STRENGTH, COMPUTER PROFILED GEARING FOR QUIET OPERATION
MULTIPLE PORT POSITIONS
FLEXIBLE SEAL DESIGN ALLOWS FOR A VARIETY OF INDUSTRIAL STANDARD SEALS OR PACKING
INTERNAL SEAL VENT

OPERATING RANGE

CAPACITY (GPM): (3 TO 295)
[LPM] : [11 TO 1116]
PRESSURE (PSI) : [0 TO 300]
[BAR] : [0 TO 21]
VISCOSITY (SSU) : (28 TO 2,000,000)
[cSt] : [1 TO 440,000]
TEMPERATURE (F) : (-20° TO 675°)
[C] : [-29° TO 358°]

APPLICATIONS

USE WITH ANY CLEAN LIQUID COMPATIBLE WITH IRON/STEEL
★ **BOOSTER SERVICE**
★ **CIRCULATING**
★ **FILTERING**
★ **LUBRICATING**
★ **TRANSFERRING**

THE GORMAN-RUPP COMPANY • MANSFIELD, OHIO

GORMAN-RUPP OF CANADA LIMITED • ST. THOMAS, ONTARIO, CANADA

SUPERSEDES ALL PREVIOUS ISSUES

©2010 The Gorman-Rupp Company

EXTERIOR	BACKHD	ROTOR & IDLER	HOUSING PORTS	BUSHING	IDLER PIN	SHAFT	SHAFT SEALING		ROTA-TION	INTERNAL RELIEF VALVE	
							MECH. SEAL	PACKING		MATERIAL	SETTING
STEEL ③	DUCTILE IRON	HIGH STRENGTH IRON	150# FLG GHC 180° GHS 90°	BRONZE	HARD STEEL	STEEL	VITON	CARBON FIBER	C.W.	STEEL	75 PSI [5 BAR]

Standard Models

G H C 3 JG 32 - B
G H S 3 JG 32 - B
 | | | | | | | | | |
 GEAR DUTY DESIGN PORT SIZE HYDRAULIC SEAL STYLE

MODEL NUMBER		NOM. CAPACITY - SPEED				MAXIMUM				SHIPPING DATA			
		MAXIMUM		ALTERNATIVE		DIFF. PRESSURE - PSI [BAR]			TEMP				
		GPM [LPM]	RPM 60 Hz [50 HZ]	GPM [LPM]	RPM 60 Hz [50 HZ]	BELOW 38 SSU [4 cSt]	38 TO 100 SSU [21 cSt]	100 TO 250,000 SSU [55,000 cSt]	°F [°C]	Wt. LBS [KG]	Vol. CU. FT.		
GHC	GHS												
GHC 1 DC32-B ① ●		9 [28]	1750 [1460]	6 [19]	1150 [960]	100 [7]	150 [10]	300 [21]			39 [17,7]	0.6	
GHC 1 DE32-B ① ●		11 [35]		7 [22]							39 [17,7]	0.6	
GHC 1-1/2 GC32-B ●	GHS 1-1/2 GC32-B ● GHS 1-1/2 GC38-B ■	16 [50]		10 [32]						GHC ● 350 [177]	71 [32,2]	2.9	
GHC 1-1/2 GF32-B ●	GHS 1-1/2 GF32-B ● GHS 1-1/2 GF38-B ■	23 [73]		15 [47]							71 [32,2]	2.9	
GHC 1-1/2 GH32-B ●	GHS 1-1/2 GH32-B ● GHS 1-1/2 GH38-B ■	31 [98]		20 [63]						GHS ● 400 [204]	71 [32,2]	2.9	
GHC 1-1/2 GJ32-B ② ●	GHS 1-1/2 GJ32-B ② ● GHS 1-1/2 GJ38-B ② ■	38 [120]		25 [79]				200 [14]	500 [260]	71 [32,2]	2.9		
GHC 3 JG32-B ●	GHS 3 JG32-B ● GHS 3 JG38-B ■	40 [126]	1150 [960]	30 [95]	870 [725]				300 [21]			154 [69,8]	5.3
GHC 3 JJ32-B ●	GHS 3 JJ32-B ● GHS 3 JJ38-B ■	56 [177]		36 [114]							154 [69,8]	5.3	
GHC 3 JL32-B ●	GHS 3 JL32-B ● GHS 3 JL38-B ■	77 [243]		58 [183]							154 [69,8]	5.3	
GHC 3 JP32-B ② ●	GHS 3 JP32-B ② ● GHS 3 JP38-B ② ■	107 [338]		81 [256]							200 [14]	154 [69,8]	5.3

STANDARD MODELS
CONTINUED

NOTE: RECOMMENDED PORT SIZES ARE SHOWN IN **BOLDFACE**. EXAMPLE: **GHC 3 JG32-B, GHS 3 JG32-B**

- MECHANICAL SEAL
- LIPSEAL/PACKING
- ▮ PORTS ARE COMPATIBLE WITH 150# ANSI FLANGES. ALL OTHER PORTS ARE TAPPED NPT FOR ANSI PIPE. OPTIONAL [DIN] FLANGES OR TAPPED [BSP] PORTS AVAILABLE FOR EXPORT MARKET.

- ① 3450 [2875] RPM PERMISSIBLE TO 1,000 SSU [220 cSt] AND 100 PSI [7 BAR]
- ② PUMP LIMITED TO 200 PSI MAXIMUM PRESSURE.
- ③ REFER TO REFERENCE SECTION FOR SPECIFIC CONSTRUCTION DETAILS.

THE GORMAN-RUPP COMPANY • MANSFIELD, OHIO
GORMAN-RUPP OF CANADA LIMITED • ST. THOMAS, ONTARIO, CANADA

MODEL NUMBER		NOM. CAPACITY - SPEED				MAXIMUM				SHIPPING		
		MAXIMUM		ALTERNATIVE		DIFF. PRESSURE - PSI [BAR]			TEMP.	DATA		
		GPM [LPM]	RPM 60 Hz [50 HZ]	GPM [LPM]	RPM 60 Hz [50 HZ]	BELOW 38 SSU [4 cSt]	38 TO 100 SSU [21 cSt]	100 TO 250,000 SSU [55,000 cSt]	°F [°C]	Wt. LBS [KG]	Vol. CU. FT.	
GHC	GHS											
	GHS 2 NK32-B ● ▮ GHS 2 NK38-B ■ ▮	99 [375]	960 [960]	60 [189]	580 [480]			300 [21]		200 [90,7]	5.3	
	GHS 3 NK32-B ● ▮ GHS 3 NK38-B ■ ▮									200 [90,7]	5.3	
	GHS 2 NM32-B ● ▮ GHS 2 NM38-B ■ ▮	132 [500]		80 [252]						200 [90,7]	5.3	
	GHS 3 NM32-B ● ▮ GHS 3 NM38-B ■ ▮									200 [90,7]	5.3	
	GHS 3 NP32-B ① ● ▮ GHS 3 NP38-B ① ■ ▮	165 [624]		99 [312]				200 [14]		200 [90,7]	5.3	
	GHS 2-1/2 RM32-B ● ▮ GHS 2-1/2 RM38-B ■ ▮	172 [542]		115 [362]				300 [21]		GHS ● 400 [204] ■ 500 [260]	302 [136,9]	10.7
	GHS 3 RM32-B ● ▮ GHS 3 RM38-B ■ ▮										302 [136,9]	10.7
	GHS 4 RM32-B ● ▮ GHS 4 RM38-B ■ ▮										302 [136,9]	10.7
	GHS 2-1/2 RP32-B ● ▮ GHS 2-1/2 RP38-B ■ ▮	215 [678]	143 [451]	100 [7]	150 [10]				302 [136,9]		10.7	
	GHS 3 RP32-B ● ▮ GHS 3 RP38-B ■ ▮					302 [136,9]	10.7					
	GHS 4 RP32-B ● ▮ GHS 4 RP38-B ■ ▮					302 [136,9]	10.7					
	GHS 3 RR32-B ● ▮ GHS 3 RR38-B ■ ▮	255 [804]	170 [536]			302 [136,9]	10.7					
	GHS 4 RR32-B ● ▮ GHS 4 RR38-B ■ ▮					302 [136,9]	10.7					
	GHS 3 RS32-B ① ● ▮ GHS 3 RS38-B ① ■ ▮	295 [930]	196 [618]			200 [14]	302 [136,9]		10.7			
	GHS 4 RS32-B ① ● ▮ GHS 4 RS38-B ① ■ ▮						302 [136,9]	10.7				

STANDARD MODELS
CONTINUED

- MECHANICAL SEAL
- LIPSEAL/PACKING
- ▮ PORTS ARE COMPATIBLE WITH 150# ANSI FLANGES. ALL OTHER PORTS ARE TAPPED NPT FOR ANSI PIPE. OPTIONAL [DIN] FLANGES OR TAPPED [BSP] PORTS AVAILABLE FOR EXPORT MARKET.

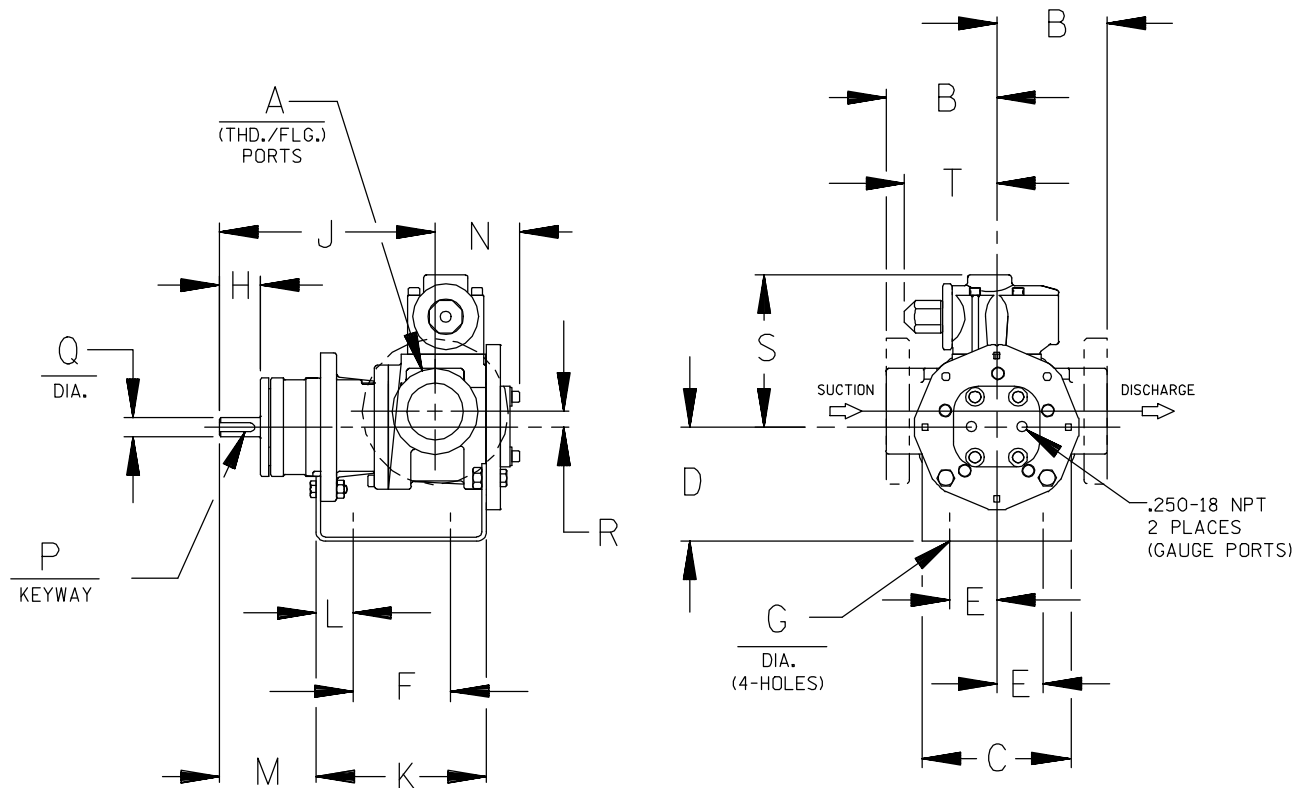
① PUMP LIMITED TO 200 PSI MAXIMUM PRESSURE.

THE GORMAN-RUPP COMPANY • MANSFIELD, OHIO

GORMAN-RUPP OF CANADA LIMITED • ST. THOMAS, ONTARIO, CANADA

APPLICATION RECOMMENDATIONS:		
APPLICATION	OPTIONS REQUIRED (Select One From Each Row)	OPERATING LIMITATIONS
GHS ONLY HIGH TEMPERATURE	25U, 25V, OR 25W 35J – 35M (AS REQ'D) 40M, 40W 61H, OR 65Q 70K	TEMPERATURE: 675° F MAX. PRESSURE: 200 PSI MAX.
ASPHALT	35J–35M (AS REQ'D) 40M, 40W, 40G 41R, 41W 65S 70, 70K, 71K	TEMPERATURE: 500° MAX.
JACKETED	40G, 40J, 40K, 40W, 41U, 41W	LIMIT JACKET PRESSURE TO 150 PSIG

NOTE: PROPER PUMP APPLICATION REQUIRES CONSIDERATION OF ADDITIONAL FACTORS. PLEASE REVIEW APPLICATION GUIDE IN SECTION 500 OR CONSULT THE FACTORY.



CAD FILE NO.: 16458D

MODEL NUMBERS	PUMP DIMENSIONS - INCHES [MILLIMETERS]																	
	A	B	C	D	E	F	G	H	J	K	L	M	N	P	Q	R	S	T
GHC D	1"	4.00 [102]	4.00 [102]	3.50* [89] 4.50 [114] 5.25 [133]	1.62 [41]	3.12 [79]	.41 [10]	1.16 [30]	6.19 [157]	5.04 [128]	.76 [19]	2.62 [66]	2.74 [70]	.12 [3] x .75 [19]	.50 [13]	.62 [16]	5.19 [132]	3.58 [91]
GHC G	1-1/2"	4.00 [102]	5.88 [149]	3.50* [89] 4.50 [114] 5.25 [133] 6.25 [159]	1.62 [41]	4.00 [102]	.41 [10]	1.62 [41]	8.50 [216]	6.71 [170]	1.06 [27]	3.82 [97]	3.35 [85]	.19 [5] x 1.25 [32]	.75 [19]	.62 [16]	6.00 [152]	3.62 [92]
GHC J	3"	6.00* [152] 6.31 [160]	6.88 [175]	4.50 [114] 5.25* [133] 6.25 [159] 7.00 [178] 8.00 [203]	2.88 [73]	4.25 [108]	.44 [11]	2.50 [64]	12.12 [308]	9.75 [248]	1.75 [44]	5.50 [140]	4.66 [118]	.25 [6] x 2.00 [51]	1.00 [25]	1.12 [28]	9.06 [230]	6.75 [171]

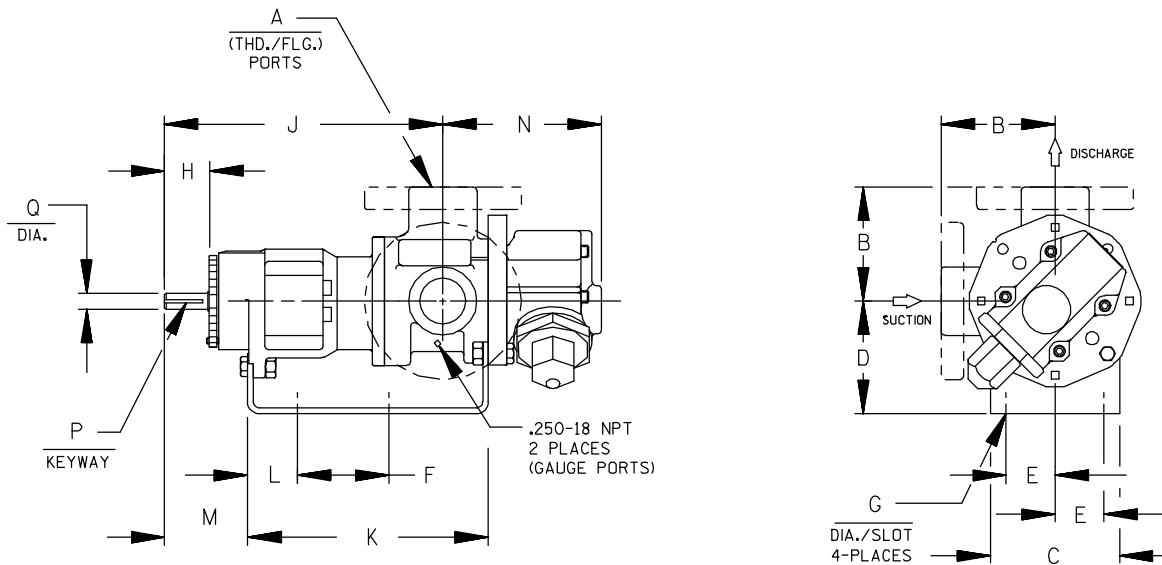
* STANDARD DIMENSION
 PORTS ARE COMPATIBLE WITH 150# OR 300# ANSISTEEL FLANGES. ALL OTHER PORTS ARE TAPPED NPT
 † FOR ANSI PIPE. OPTIONAL [DIN] FLANGES OR TAPPED [BSP] PORTS AVAILABLE FOR EXPORT MARKET.
 NPT FOR ANSI PIPE. OPTIONAL (DIN) FLANGES OR TAPPED (BSP) PORTS AVAILABLE FOR EXPORT MARKET.
 ‡ 90° HOUSING

THE GORMAN-RUPP COMPANY • MANSFIELD, OHIO

GORMAN-RUPP OF CANADA LIMITED • ST. THOMAS, ONTARIO, CANADA

SUPERSEDES ALL PREVIOUS ISSUES

©2010 The Gorman-Rupp Company



CAD FILE NO.: 16669F

MODEL NUMBERS	PUMP DIMENSIONS - INCHES [MILLIMETERS]														
	A	B	C	D	E	F	G	H	J	K	L	M	N	P	Q
GHS G	1-1/2"	4.00 [102]	4.88 [124]	3.50 * [89] 4.50 [114] 5.25 [133] 6.25 [159]	1.62 [41]	8.00 [203]	.41 [10]	1.62 [41]	12.06 [306]	10.72 [272]	1.52 [39]	3.35 [85]	5.70 [145]	.19 [5] x 1.25 [32]	.75 [19]
GHS J	3"	6.00 † [152] 6.31 [160]	6.88 [175]	5.25 * [133] 6.25 [159] 7.00 [178] 8.00 [203]	2.88 [73]	10.00 [254]	.44 [11]	2.50 [64]	15.68 [398]	14.31 [363]	2.77 [70]	4.48 [114]	8.50 [216]	.25 [6] x 2.00 [51]	1.00 [25]
GHS N	2"	5.25 * [133] 5.38 [137]	8.00 [203]	4.50 [114] 5.25 * [133] 6.25 [159] 7.00 [178] 8.00 [203]	2.88 [73]	10.00 [254]	.44 [11]	2.58 [66]	16.37 [416]	15.14 [385]	2.69 [68]	4.56 [116]	7.59 [193]	.25 [6] x 2.00 [51]	1.12 [32]
	3"	7.19 [183]											8.72 [221] *		
GHS R	2-1/2"													.38 [10] x 1.88 [48]	1.44 [37]
	3"	7.19 [183]	10.50 [267]	7.00 [178]	3.75 [95]	13.75 [349]	.52 [13]	2.25 [57]	17.87 [454]	17.36 [441]	1.80 [46]	4.70 [119]	11.31 [287]		
	4"														

* STANDARD DIMENSION

† PORTS ARE COMPATIBLE WITH 150* OR 300* ANSI STEEL FLANGES. ALL OTHER PORTS ARE TAPPED NPT FOR ANSI PIPE. OPTIONAL (DIN) FLANGES OR TAPPED (BSP) PORTS AVAILABLE FOR EXPORT MARKET.

† 180° HOUSING

THE GORMAN-RUPP COMPANY • MANSFIELD, OHIO

GORMAN-RUPP OF CANADA LIMITED • ST. THOMAS, ONTARIO, CANADA

SUPERSEDES ALL PREVIOUS ISSUES

©2010 The Gorman-Rupp Company

GHC/GHS

FOR GHC DRIVE OPTIONS

AND DIMENSIONS

SEE

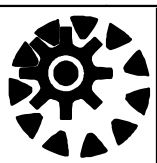
SECTION 540

FOR GHS DRIVE OPTIONS

AND DIMENSIONS

SEE

SECTION 545



PERFORMANCE CURVES

SPEED VS. CAPACITY/HORSEPOWER

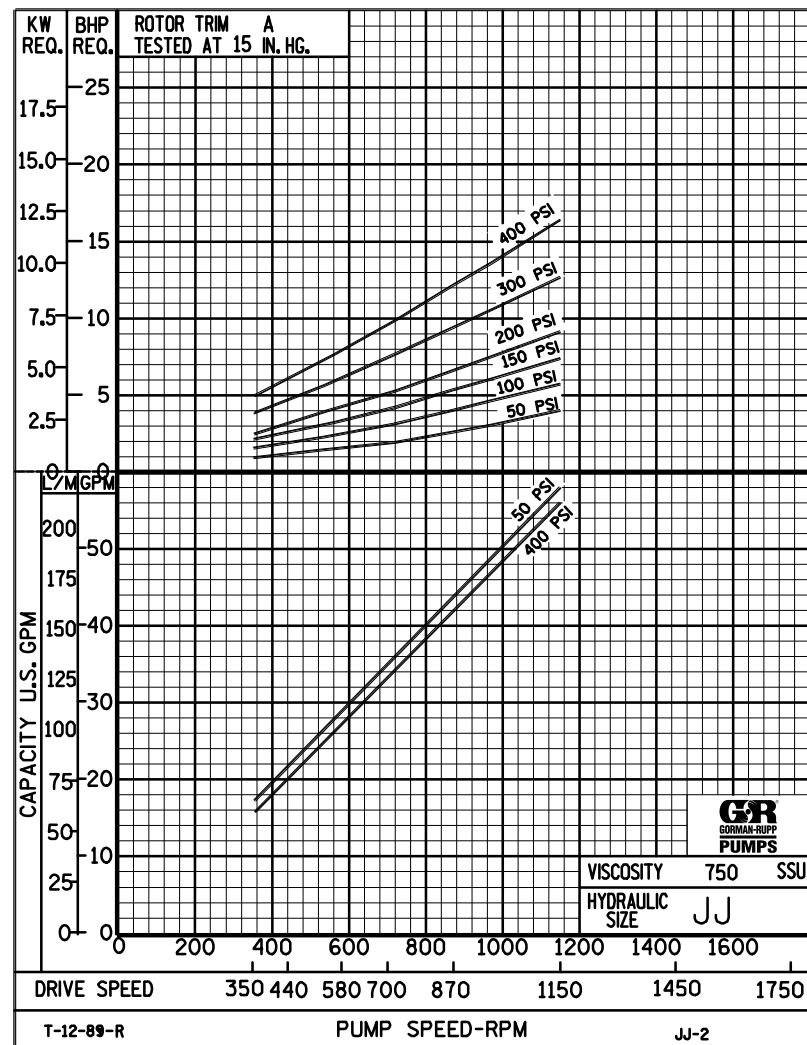
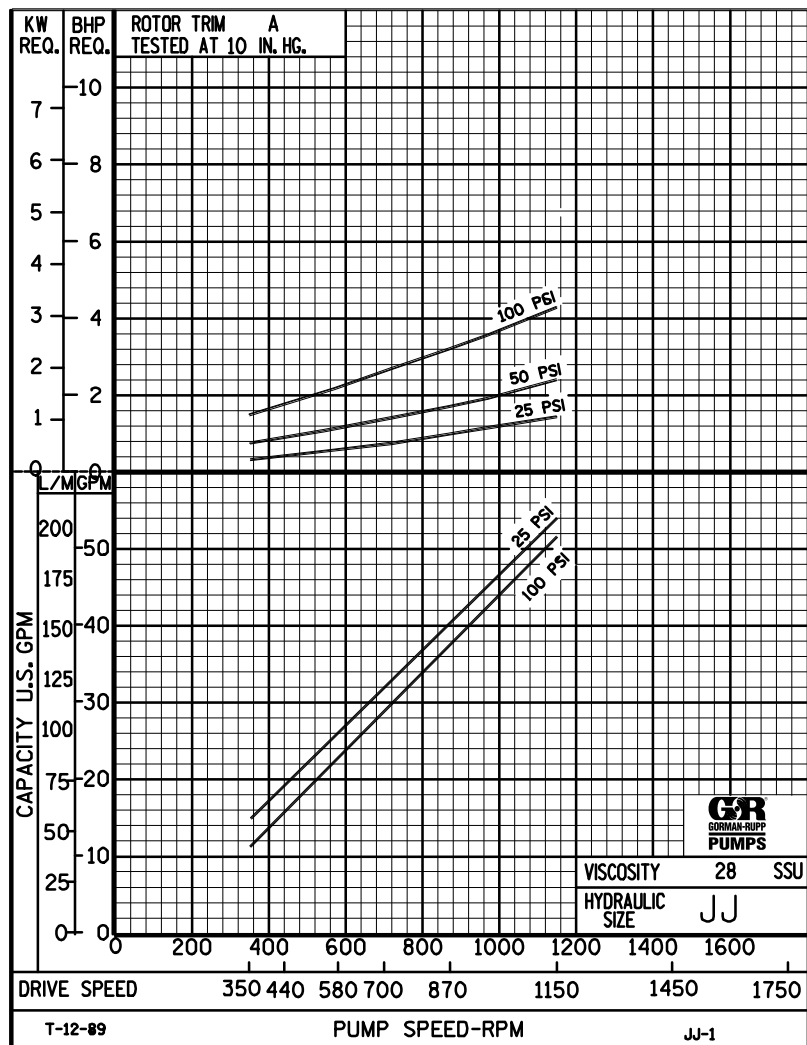
JJ

Hydraulic
Size

SEC. 500

Page 68

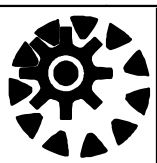
January 2010



THE GORMAN-RUPP COMPANY • MANSFIELD, OHIO

GORMAN-RUPP OF CANADA LIMITED • ST. THOMAS, ONTARIO, CANADA

Printed in U.S.A.



PERFORMANCE CURVES

SPEED VS. CAPACITY/HORSEPOWER

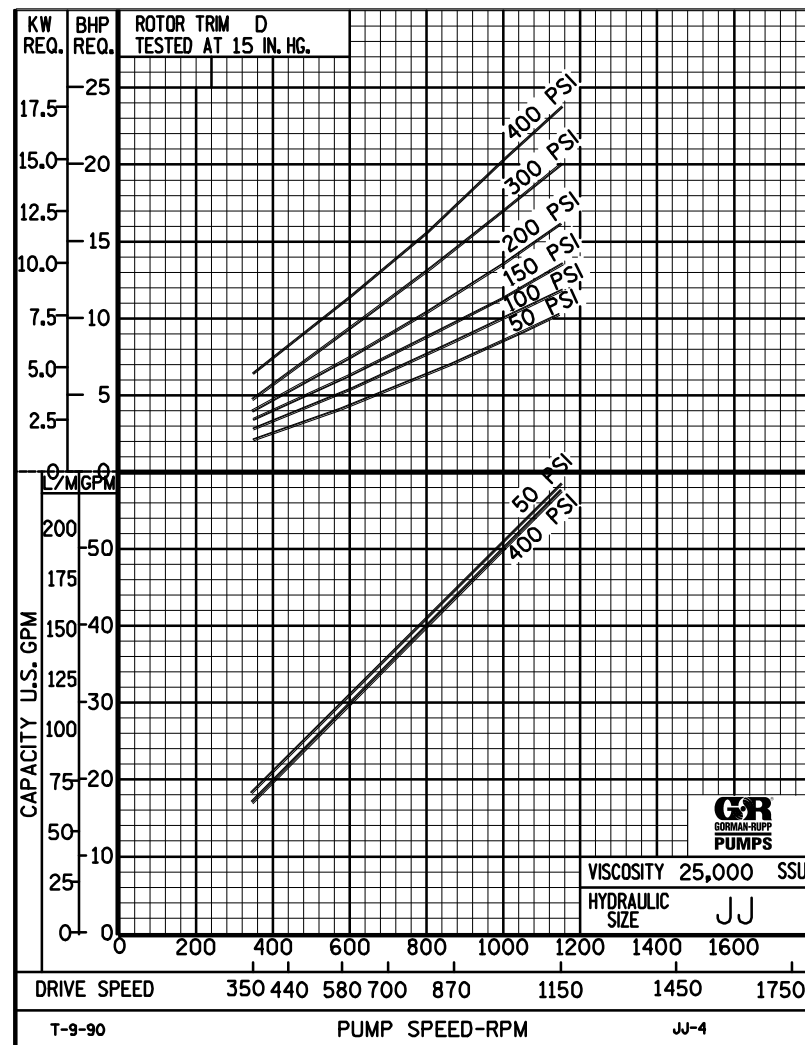
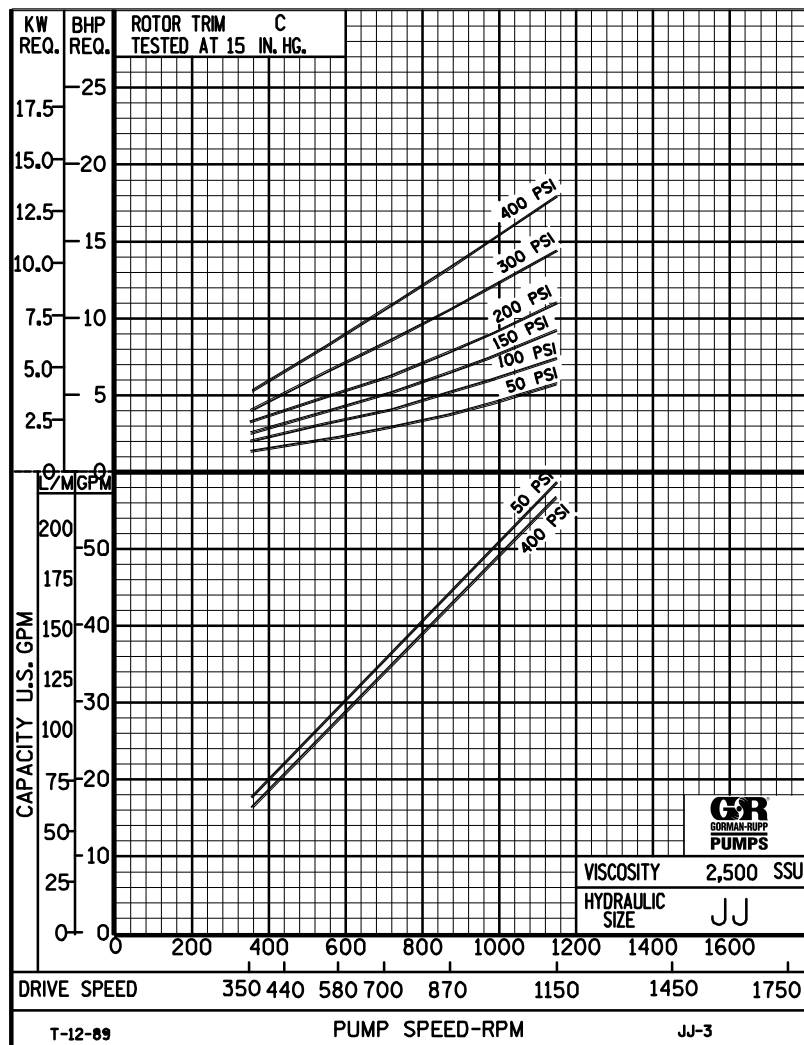
JJ

Hydraulic
Size

SEC. 500

Page 69

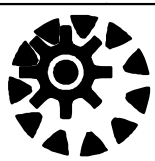
January 2010



THE GORMAN-RUPP COMPANY • MANSFIELD, OHIO

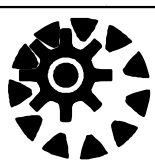
GORMAN- RUPP OF CANADA LIMITED • ST. THOMAS, ONTARIO, CANADA

Printed in U.S.A.



NOMINAL		ROTOR TRIM	VISCOSITY	N.I.P.R.	FRICTION PIPE LOSS (PSI/FT) (Based on Sch 40 Steel Pipe)					FULL BYPASS RELIEF VALVE PRESSURE (PSI)					CAPACITY (GPM)				H.P. REQUIRED								
			(SSU)	(PSIA)	PIPE DIAMETER					CRACKING PRESS. (PSI)					DIFFERENTIAL PRESSURE (PSI)												
										LOW PRES R/V		HI PRES R/V			25	50	75	100	150	200	300	400					
CAP. GPM	SPEED RPM				1½"	2"	2½"	3"	4"	50	75	100	150	200	HEAVY DUTY												
56	1150	STD	28	4.0	.01	.01	.01	.01	.01	62	87	114				54	52	52	51								
			32		.07	.02	.01	.01	.01							1.0	2.4	3.3	4.3								
			38	4.0	.09	.03	.01	.01	.01	62	89	116	166			55	54	53	53	51							
			50		.11	.03	.02	.01	.01							1.6	2.5	3.5	4.4	6.4							
			70	4.0	.13	.04	.02	.01	.01	63	90	118	167	219	56	55	55	54	53	52							
			100		.15	.05	.02	.01	.01						1.8	2.7	3.6	4.6	6.5	8.7							
			150	4.0	.16	.05	.02	.01	.01	64	91	120	167	219	57	56	56	55	54	54	53	52					
			200		.18	.05	.02	.01	.01						2.1	3.0	3.9	4.8	6.6	8.7	12	16					
			300	4.0	.20	.06	.03	.01	.01	65	92	122	168	220	57	57	57	56	56	55	55	54					
			500		.25	.09	.05	.02	.01						2.8	3.6	4.6	5.4	7.1	9.0	13	16					
			750	4.0	.37	.14	.07	.03	.01	66	93	124	168	220	58	58	57	57	57	57	56	56					
			1,000		.49	.18	.09	.04	.02						3.2	4.0	4.9	5.7	7.4	9.2	13	16					
			2,000	4.3	.98	.36	.18	.08	.03	70	95	124	168	222	58	58	58	58	58	57	57	56					
			3,500		1.72	.63	.31	.13	.05						4.6	5.7	6.6	7.4	9.2	11	14	18					
		5,000	4.5	2.45	.90	.44	.19	.06	72	97	126	170	224	59	58	58	58	58	58	57	57						
		7,500		3.68	1.35	.67	.28	.10						6.6	7.3	8.0	8.8	11	13	16	20						
		10,000	4.7	4.90	1.81	.89	.37	.13	74	99	128	172	226	59	58	58	58	58	58	57	57						
		15,000		7.35	2.71	1.33	.56	.19						8.8	9.0	10	11	13	15	18	2.0						
		20,000	4.9	9.80	3.61	1.77	.74	.25	78	103	128	174	226	58	58	58	58	58	58	57	57						
		25,000		12.3	4.51	2.22	.93	.31						9.7	10	11	12	14	16	20	24						
		50,000	6.9	24.5	9.02	4.43	1.86	.63	82	107	132	178	230	58	58	58	58	58	58	57	57						
		75,000		-	-	-	-	-						15	16	16	18	19	22	25	30						
		100,000																									
		150,000																									
		200,000																									
		250,000																									

(NOTE) For speeds not shown on the pump hydraulic charts, consult factory.



NOMINAL		ROTOR TRIM	VISCOSITY	N.I.P.R.	FRICTION PIPE LOSS (PSI/FT) (Based on Sch 40 Steel Pipe)					FULL BYPASS RELIEF VALVE PRESSURE (PSI)					CAPACITY (GPM)					H.P. REQUIRED						
CAP. GPM	SPEED RPM		(SSU)	(PSIA)	PIPE DIAMETER					CRACKING PRESS. (PSI)					DIFFERENTIAL PRESSURE (PSI)											
															25	50	75	100	150	200	300	400				
										LOW PRES R/V		HI PRES R/V			MEDIUM DUTY AND HEAVY DUTY					HEAVY DUTY ONLY						
					1½"	2"	2½"	3"	4"	50	75	100	150	200												
42	870	STD	28	2.7	.01	.01	.01	.01	.01	60	85	117				40	39	39	38							
			32		.04	.01	.01	.01	.01						.98	1.7	2.5	3.2								
			38	2.7	.06	.02	.01	.01	.01	60	85	117	161				41	40	40	39	38					
			50		.07	.02	.01	.01	.01						1.1	1.8	2.5	3.3	4.8							
			70	2.7	.08	.03	.01	.01	.01	60	85	117	161	213				42	42	41	40.8	40	39			
			100		.09	.03	.01	.01	.01						1.1	1.9	2.6	3.3	4.9	6.4						
			150	2.7	.10	.03	.01	.01	.01	61	86	119	161	213				43	42	42	42	41	41	40	39	
			200		.10	.03	.01	.01	.01						1.3	2.0	2.7	3.4	4.9	6.5	9.1	12				
			300	2.7	.11	.04	.02	.01	.01	61	88	119	161	213				43	43	43	42	42	42	41	41	
			500		.19	.07	.03	.02	.01						1.8	2.4	3.0	3.7	5.0	6.6	9.2	12				
			750	2.7	.28	.10	.05	.02	.01	61	88	119	161	213				43	43	43	43	43	42	42	42	
			1,000		.37	.14	.07	.03	.01						2.4	2.6	3.3	4.0	5.4	6.7	9.4	13				
		2,000	3.1	.74	.27	.13	.06	.02	63	90	121	163	215				44	44	43	43	43	43	42	42		
		3,500		1.29	.47	.23	.10	.03						3.0	3.7	4.5	5.2	6.5	7.8	11	13					
		5,000	3.4	1.84	.68	.33	.14	.05	65	92	123	163	215				44	44	44	43	43	43	43	42		
		7,500		2.76	1.02	.50	.21	.07						4.6	5.3	6.0	6.6	7.8	9.1	12	15					
		10,000	3.7	3.68	1.35	.67	.28	.10	67	94	126	163	217				44	44	44	44	43	43	43	42		
		15,000		5.51	2.03	1.00	.42	.14						5.5	6.3	7.0	7.7	9.0	10	13	16					
		20,000	3.9	7.35	2.71	1.33	.56	.19	69	96	129	163	217				44	44	44	44	43	43	43	42		
		25,000		9.19	3.38	1.66	.70	.24						6.4	7.0	7.7	8.5	10	11	14	17					
		50,000	5.8	18.4	6.76	3.32	1.40	.47	73	100	133	167	221				44	44	44	44	43	43	43	42		
		75,000		27.6	10.2	4.99	2.09	.71						9.6	10	11	12	13	15	18	21					
		100,000	7.8	36.8	13.5	6.65	2.79	.94	77	104	137	171	225				44	44	44	44	43	43	43	42		
		150,000		-	-	-	-	-						12	13	14	15	16	19	21	24					
		200,000																								
		250,000																								

(NOTE) For speeds not shown on the pump hydraulic charts, consult factory.



JJ

PUMP HYDRAULIC SIZE CHART

SEC. 500

Page 72

January 2010

**28 GPM
580 RPM**

NOMINAL		ROTOR TRIM	VISCOSITY	N.I.P.R.	FRICTION PIPE LOSS (PSI/FT) (Based on Sch 40 Steel Pipe)					FULL BYPASS RELIEF VALVE PRESSURE (PSI)					CAPACITY (GPM)				H.P. REQUIRED			
			(SSU)	(PSIA)	PIPE DIAMETER					CRACKING PRESS. (PSI)					DIFFERENTIAL PRESSURE (PSI)							
										LOW PRES R/V		HI PRES R/V			25	50	75	100	150	200	300	400
CAP. GPM	SPEED RPM				1½"	2"	2½"	3"	4"	50	75	100	150	200	MEDIUM DUTY AND HEAVY DUTY					HEAVY DUTY ONLY		
28	580	STD	28	1.7	.01	.01	.01	.01	.01	54	80	111			26	25	25	24				
			32		.02	.01	.01	.01	.01						.61	1.2	1.7	2.2				
			38	1.7	.03	.01	.01	.01	.01	54	80	111	157		26	26	26	25	24			
			50		.03	.01	.01	.01	.01						.64	1.2	1.7	2.2	3.4			
			70	1.7	.04	.01	.01	.01	.01	54	81	111	157	209	27	27	26	26	25	24		
			100		.05	.02	.01	.01	.01						.69	1.2	1.8	2.2	3.4	4.2		
			150	1.7	.05	.02	.01	.01	.01	54	81	111	157	209	28	28	27	27	26	26	25	25
			200		.05	.02	.01	.01	.01						.77	1.3	1.8	2.3	3.4	4.2	6.0	7.9
			300	1.7	.08	.03	.01	.01	.01	55	82	111	157	209	28	28	28	27	27	27	26	26
			500		.12	.05	.02	.01	.01						.90	1.5	1.9	2.4	3.4	4.2	6.0	7.9
			750	1.7	.19	.07	.03	.02	.01	55	82	111	157	209	29	28	28	28	28	28	27	27
			1,000		.25	.09	.05	.02	.01						1.3	1.8	2.2	2.7	3.5	4.3	6.3	8.1
			2,000	2.1	.49	.18	.09	.04	.01	57	84	113	157	209	29	29	29	28	28	28	28	27
			3,500		.86	.32	.16	.07	.02						2.2	2.6	3.1	3.5	4.4	5.3	7.2	9.0
		"C"	5,000	2.4	1.23	.45	.22	.09	.03	59	86	115	158	210	29	29	29	29	28	28	28	28
			7,500		1.84	.68	.33	.14	.05						2.8	3.2	3.6	4.1	5.0	5.9	7.8	9.6
			10,000	2.7	2.45	.90	.44	.19	.06	61	88	118	159	211	29	29	29	29	29	29	28	28
			15,000		3.68	1.35	.67	.28	.10						3.3	3.7	4.2	4.7	5.6	6.6	8.5	10
			20,000	3.0	4.90	1.81	.89	.37	.13	64	91	121	159	211	30	29	29	29	29	29	29	28
			25,000		6.13	2.26	1.11	.47	.16						3.7	4.2	4.7	5.1	6.2	7.1	9.0	11
			50,000	4.6	12.3	4.51	2.22	.93	.31	67	94	124	162	214	30	29	29	29	29	29	29	28
			75,000		18.4	6.76	3.32	1.40	.47						5.6	6.2	6.7	7.4	8.0	9.6	11	14
			100,000	6.6	24.5	9.02	4.43	1.86	.63	71	98	128	166	218	30	29	29	29	29	29	29	28
			150,000		36.8	13.5	6.65	2.79	.94						7.0	7.8	8.4	9.3	9.6	12	13	16
			200,000	10.0	49.0	18.0	8.86	3.72	1.25	74	101	131	169	221	30	29	29	29	29	29	29	28
			250,000		-	-	-	-	-						8.4	9.4	9.9	11	11	13	15	17

(NOTE) For speeds not shown on the pump hydraulic charts, consult factory.



JJ

PUMP HYDRAULIC SIZE CHART

SEC. 500

Page 73

January 2010

**17 GPM
350 RPM**

NOMINAL		ROTOR TRIM	VISCOSITY	N.I.P.R.	FRICTION PIPE LOSS (PSI/FT) (Based on Sch 40 Steel Pipe)					FULL BYPASS RELIEF VALVE PRESSURE (PSI)					CAPACITY (GPM) / H.P. REQUIRED							
			(SSU)	(PSIA)	PIPE DIAMETER					CRACKING PRESS. (PSI)					DIFFERENTIAL PRESSURE (PSI)							
										LOW PRES R/V		HI PRES R/V			25	50	75	100	150	200	300	400
CAP. GPM	SPEED RPM				1½"	2"	2½"	3"	4"	50	75	100	150	200	MEDIUM DUTY AND HEAVY DUTY					HEAVY DUTY ONLY		
17	350	STD	28	1.2	.01	.01	.01	.01	.01	53	79	109			15	15	15	14				
			32		.01	.01	.01	.01	.01						.33	.61	1.0	1.3				
			38	1.2	.01	.01	.01	.01	.01	53	79	109	156		16	15	15	15	14			
			50		.02	.01	.01	.01	.01						.37	.64	1.0	1.4	2.1			
			70	1.2	.02	.01	.01	.01	.01	53	79	109	156	207	16	16	16	15	15	15		
			100		.02	.01	.01	.01	.01						3.9	.69	1.1	1.4	2.1	2.8		
			150	1.2	.02	.01	.01	.01	.01	54	80	109	156	207	17	16	16	16	16	15	15	14
			200		.03	.01	.01	.01	.01						.48	.74	1.1	1.4	2.1	2.8	3.7	4.8
			300	1.2	.05	.02	.01	.01	.01	54	80	109	156	207	17	17	17	16	16	16	15	
			500		.08	.03	.02	.01	.01						.63	.82	1.1	1.5	2.1	2.8	3.7	4.8
			750	1.2	.11	.04	.02	.01	.01	54	80	109	156	207	17	17	17	17	17	16	16	16
			1,000		.15	.06	.03	.01	.01						.76	1.0	1.3	1.6	2.2	2.8	3.8	4.9
			2,000	1.7	.30	.11	.06	.02	.01	55	81	110	157	208	17	17	17	17	17	17	16	16
			3,500		.52	.19	.10	.04	.01						1.3	1.6	1.8	2.1	2.7	3.1	4.3	5.4
		5,000	2.0	.75	.28	.14	.06	.02	56	82	111	158	209	17	17	17	17	17	17	17	17	
		7,500		1.12	.41	.20	.09	.03						1.6	1.9	2.2	2.4	3.0	3.5	4.6	5.7	
		10,000	2.3	1.49	.55	.27	.11	.04	57	84	112	159	210	17	17	17	17	17	17	17	17	
		15,000		2.23	.82	.40	.17	.06						1.8	2.2	2.5	2.8	3.4	3.9	5.0	6.2	
		20,000	2.5	2.98	1.10	.54	.23	.08	59	86	113	159	210	18	17	17	17	17	17	17	17	
		25,000		3.72	1.37	.67	.28	.10						2.0	2.5	2.8	3.0	3.7	4.3	5.4	6.5	
		50,000	3.9	7.44	2.74	1.35	.57	.19	61	88	115	161	212	18	17	17	17	17	17	17	17	
		75,000		11.2	4.11	2.02	.85	.29						3.0	3.7	4.0	4.4	4.6	5.9	6.7	8.1	
		100,000	5.6	14.9	5.48	2.69	1.13	.38	64	91	118	164	215	18	17	17	17	17	17	17	17	
		150,000		22.3	8.21	4.04	1.69	.57						3.7	4.7	5.0	5.4	5.7	7.0	7.8	9.3	
		200,000	8.4	29.8	11.0	5.38	2.26	.76	67	94	121	167	218	18	17	17	17	17	17	17	17	
		250,000		37.2	13.7	6.73	2.82	.95						4.5	5.6	5.9	6.4	6.5	8.1	8.7	10	

(NOTE) For speeds not shown on the pump hydraulic charts, consult factory.