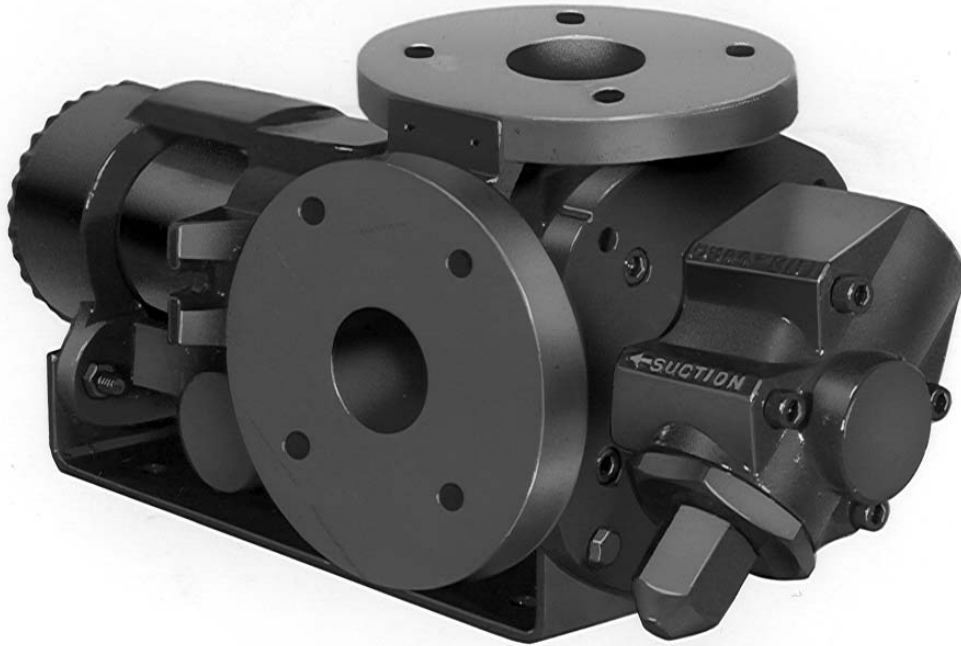


GHS SERIES Flexible Seal HEAVY DUTY STANDARD STEEL ROTARY GEAR PUMP

This heavy duty series pump is ideal for refining, petrochemical and applications requiring extra strength or shock resistance. The steel construction conforms to ASTM designation A216 Grade WCB. Superior rotor shaft support and an integral, maintenance-free radial/thrust bearing, reduce deflection and wear.



The GHS steel series is designed for applications in the operating ranges noted below. These units are available with head and backhead jackets for temperature control, carbon graphite bushings for low viscosity liquids, silicon carbide bushings for wear resistance, and numerous shaft seal options described on the following pages.

FEATURES

400 PSI CAPABILITY
BALL BEARING THRUST CONTROL
ROTOR END CLEARANCE EXTERNALLY ADJUSTABLE
HIGH STRENGTH, COMPUTER PROFILED GEARING FOR QUIET OPERATION
MULTIPLE PORT POSITIONS
FLEXIBLE SEAL DESIGN ALLOWS FOR A VARIETY OF INDUSTRIAL STANDARD SEALS OR PACKING
INTERNAL SEAL VENT

OPERATING RANGE

CAPACITY (GPM) : (3 TO 295)
 [LPM] : [11 TO 1116]

PRESSURE (PSI) : [0 TO 300]
 [BAR] : [0 TO 21]

VISCOSITY (SSU) : (28 TO 2,000,000)
 [cSt] : [1 TO 440,000]

TEMPERATURE (F) : (-20° TO 675°)
 [C] : [-29° TO 358°]

APPLICATIONS

USE WITH ANY CLEAN LIQUID COMPATIBLE WITH IRON/STEEL

- ★ BOOSTER SERVICE
- ★ CIRCULATING
- ★ FILTERING
- ★ LUBRICATING
- ★ TRANSFERRING

EXTERIOR	BACKHD	ROTOR & IDLER	HOUSING PORTS	BUSHING	IDLER PIN	SHAFT	SHAFT SEALING		ROTA-TION	INTERNAL RELIEF VALVE	
							MECH. SEAL ●	PACKING ■		MATERIAL	SETTING
STEEL ③	DUCTILE IRON	HIGH STRENGTH IRON	150# FLG GHC 180° GHS 90°	BRONZE	HARD STEEL	STEEL	VITON	CARBON FIBER	C.W.	STEEL	75 PSI [5 BAR]

Standard Models

G H C 3 JG 32 - B
G H S 3 JG 32 - B
 | | | | | | | | | | | |
 GEAR DUTY DESIGN PORT SIZE HYDRAULIC SEAL STYLE

MODEL NUMBER		NOM. CAPACITY - SPEED				MAXIMUM				SHIPPING DATA		
		MAXIMUM		ALTERNATIVE		DIFF. PRESSURE - PSI [BAR]			TEMP	Wt.	Vol.	
		GPM [LPM]	RPM 60 Hz [50 HZ]	GPM [LPM]	RPM 60 Hz [50 HZ]	BELOW 38 SSU [4 cSt]	38 TO 100 SSU [21 cSt]	100 TO 250,000 SSU [55,000 cSt]	°F [°C]			
GHC	GHS							LBS [KG]	CU. FT.			
GHC 1 DC32-B ① ● †		9 [28]		6 [19]						39 [17,7]	0.6	
GHC 1 DE32-B ① ● †		11 [35]		7 [22]						39 [17,7]	0.6	
GHC 1-1/2 GC32-B ● †	GHS 1-1/2 GC32-B ● † GHS 1-1/2 GC38-B ■ †	16 [50]	1750 [1460]	10 [32]	1150 [960]			300 [21]	GHC ● 350 [177]	71 [32,2]	2.9	
GHC 1-1/2 GF32-B ● †	GHS 1-1/2 GF32-B ● † GHS 1-1/2 GF38-B ■ †	23 [73]		15 [47]							71 [32,2]	2.9
GHC 1-1/2 GH32-B ● †	GHS 1-1/2 GH32-B ● † GHS 1-1/2 GH38-B ■ †	31 [98]		20 [63]							71 [32,2]	2.9
GHC 1-1/2 GJ32-B ② ● †	GHS 1-1/2 GJ32-B ② ● † GHS 1-1/2 GJ38-B ② ■ †	38 [120]		25 [79]		100 [7]	150 [10]				400 [204]	71 [32,2]
GHC 3 JG32-B ● †	GHS 3 JG32-B ● † GHS 3 JG38-B ■ †	40 [126]	1150 [960]	30 [95]	870 [725]				GHS ● 500 [260]	154 [69,8]	5.3	
GHC 3 JJ32-B ● †	GHS 3 JJ32-B ● † GHS 3 JJ38-B ■ †	56 [177]		36 [114]							154 [69,8]	5.3
GHC 3 JL32-B ● †	GHS 3 JL32-B ● † GHS 3 JL38-B ■ †	77 [243]		58 [183]							154 [69,8]	5.3
GHC 3 JP32-B ② ● †	GHS 3 JP32-B ② ● † GHS 3 JP38-B ② ■ †	107 [338]		81 [256]							200 [14]	154 [69,8]

STANDARD MODELS
CONTINUED

NOTE: RECOMMENDED PORT SIZES ARE SHOWN IN **BOLDFACE**. EXAMPLE: **GHC 3 JG32-B, GHS 3 JG32-B**

- MECHANICAL SEAL
- LIPSEAL/PACKING
- † PORTS ARE COMPATIBLE WITH 150# ANSI FLANGES. ALL OTHER PORTS ARE TAPPED NPT FOR ANSI PIPE. OPTIONAL [DIN] FLANGES OR TAPPED [BSP] PORTS AVAILABLE FOR EXPORT MARKET.

- ① 3450 [2875] RPM PERMISSIBLE TO 1,000 SSU [220 cSt] AND 100 PSI [7 BAR]
- ② PUMP LIMITED TO 200 PSI MAXIMUM PRESSURE.
- ③ REFER TO REFERENCE SECTION FOR SPECIFIC CONSTRUCTION DETAILS.

THE GORMAN-RUPP COMPANY • MANSFIELD, OHIO
GORMAN-RUPP OF CANADA LIMITED • ST. THOMAS, ONTARIO, CANADA

MODEL NUMBER		NOM. CAPACITY - SPEED				MAXIMUM				SHIPPING DATA		
		MAXIMUM		ALTERNATIVE		DIFF. PRESSURE - PSI [BAR]			TEMP.	Wt. LBS [KG]	Vol. CU. FT.	
		GPM [LPM]	RPM 60 Hz [50 HZ]	GPM [LPM]	RPM 60 Hz [50 HZ]	BELOW 38 SSU [4 cSt]	38 TO 100 SSU [21 cSt]	100 TO 250,000 SSU [55,000 cSt]	°F [°C]			
GHC	GHS											
	GHS 2 NK32-B ● † GHS 2 NK38-B ■ †	99 [375]	960 [960]	60 [189]	580 [480]			300 [21]		200 [90,7]	5.3	
	GHS 3 NK32-B ● † GHS 3 NK38-B ■ †									200 [90,7]		
	GHS 2 NM32-B ● † GHS 2 NM38-B ■ †	132 [500]	960 [960]	80 [252]	580 [480]			300 [21]		200 [90,7]	5.3	
	GHS 3 NM32-B ● † GHS 3 NM38-B ■ †									200 [90,7]		
	GHS 3 NP32-B ① ● † GHS 3 NP38-B ① ■ †	165 [624]	960 [960]	99 [312]	580 [480]			300 [21]		200 [90,7]	5.3	
	GHS 2-1/2 RM32-B ● † GHS 2-1/2 RM38-B ■ †	172 [542]		720 [600]						143 [451]		480 [400]
	GHS 3 RM32-B ● † GHS 3 RM38-B ■ †		302 [136,9]									
	GHS 4 RM32-B ● † GHS 4 RM38-B ■ †	215 [678]	720 [600]	143 [451]	480 [400]	100 [7]	150 [10]	300 [21]		302 [136,9]	10.7	
	GHS 2-1/2 RP32-B ● † GHS 2-1/2 RP38-B ■ †									302 [136,9]		
	GHS 3 RP32-B ● † GHS 3 RP38-B ■ †	255 [804]	720 [600]	170 [536]	480 [400]	100 [7]	150 [10]	300 [21]		302 [136,9]	10.7	
	GHS 4 RP32-B ● † GHS 4 RP38-B ■ †									302 [136,9]		
	GHS 3 RR32-B ● † GHS 3 RR38-B ■ †	295 [930]	720 [600]	196 [618]	480 [400]	100 [7]	150 [10]	300 [21]		302 [136,9]	10.7	
	GHS 4 RR32-B ● † GHS 4 RR38-B ■ †									302 [136,9]		
	GHS 3 RS32-B ① ● † GHS 3 RS38-B ① ■ †	295 [930]	720 [600]	196 [618]	480 [400]	100 [7]	150 [10]	300 [21]		302 [136,9]	10.7	
	GHS 4 RS32-B ① ● † GHS 4 RS38-B ① ■ †									302 [136,9]		

STANDARD MODELS CONTINUED

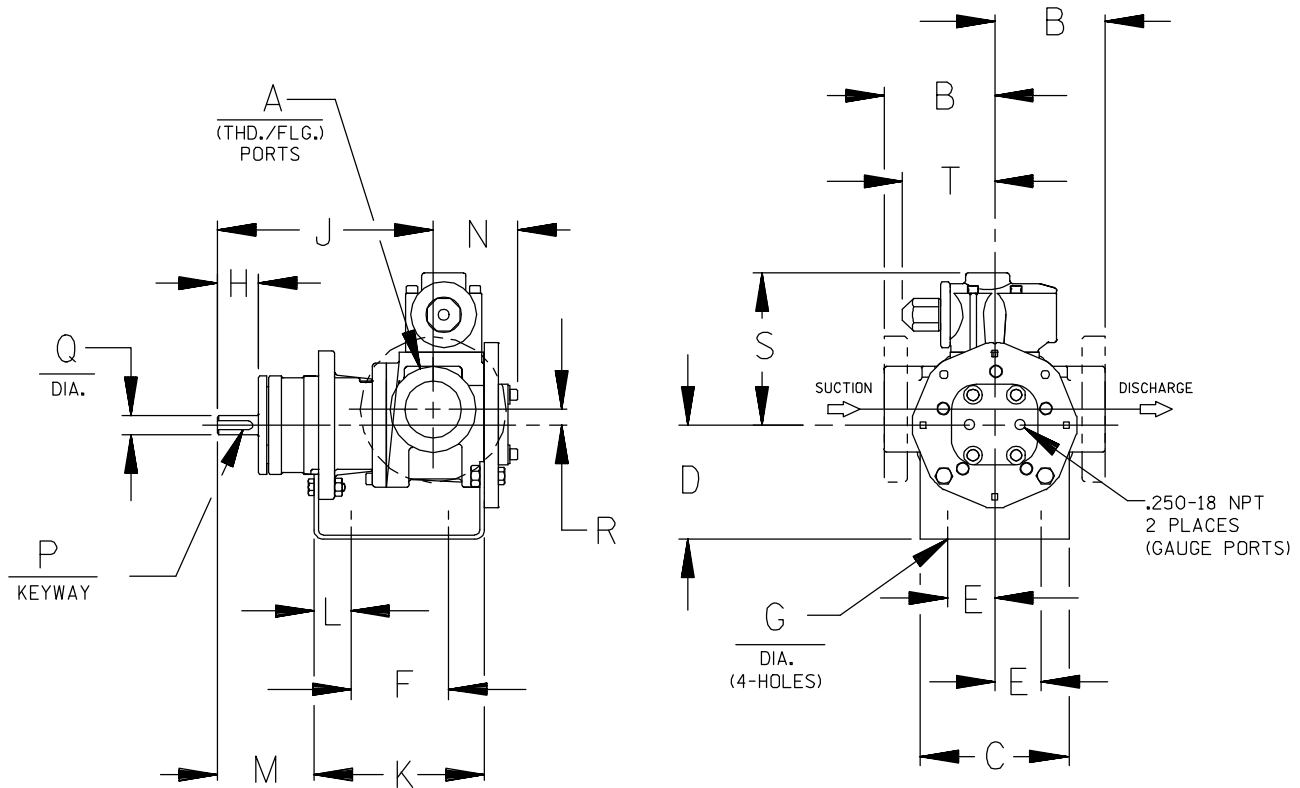
- MECHANICAL SEAL
- LIPSEAL/PACKING
- † PORTS ARE COMPATIBLE WITH 150# ANSI FLANGES. ALL OTHER PORTS ARE TAPPED NPT FOR ANSI PIPE. OPTIONAL [DIN] FLANGES OR TAPPED [BSP] PORTS AVAILABLE FOR EXPORT MARKET.

① PUMP LIMITED TO 200 PSI MAXIMUM PRESSURE.

THE GORMAN-RUPP COMPANY • MANSFIELD, OHIO
 GORMAN-RUPP OF CANADA LIMITED • ST. THOMAS, ONTARIO, CANADA

APPLICATION RECOMMENDATIONS:		
APPLICATION	OPTIONS REQUIRED (Select One From Each Row)	OPERATING LIMITATIONS
GHS ONLY HIGH TEMPERATURE	25U, 25V, OR 25W 35J – 35M (AS REQ'D) 40M, 40W 61H, OR 65Q 70K	TEMPERATURE: 675° F MAX. PRESSURE: 200 PSI MAX.
ASPHALT	35J–35M (AS REQ'D) 40M, 40W, 40G 41R, 41W 65S 70, 70K, 71K	TEMPERATURE: 500° MAX.
JACKETED	40G, 40J, 40K, 40W, 41U, 41W	LIMIT JACKET PRESSURE TO 150 PSIG

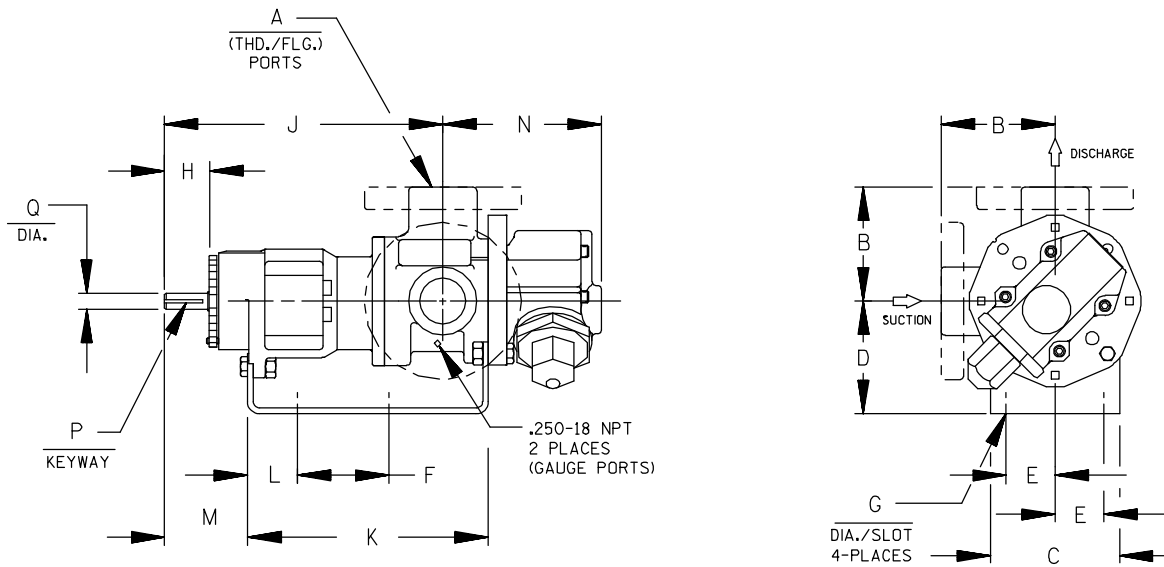
NOTE: PROPER PUMP APPLICATION REQUIRES CONSIDERATION OF ADDITIONAL FACTORS. PLEASE REVIEW APPLICATION GUIDE IN SECTION 500 OR CONSULT THE FACTORY.



CAD FILE NO.: 16458D

MODEL NUMBERS	PUMP DIMENSIONS - INCHES [MILLIMETERS]																	
	A	B	C	D	E	F	G	H	J	K	L	M	N	P	Q	R	S	T
GHC D	1"	4.00 † [102]	4.00 [102]	3.50* [89] 4.50 [114] 5.25 [133]	1.62 [41]	3.12 [79]	.41 [10]	1.16 [30]	6.19 [157]	5.04 [128]	.76 [19]	2.62 [66]	2.74 [70]	.12 [3] x .75 [19]	.50 [13]	.62 [16]	5.19 [132]	3.58 [91]
GHC G	1-1/2"	4.00 † [102]	5.88 [149]	3.50* [89] 4.50 [114] 5.25 [133] 6.25 [159]	1.62 [41]	4.00 [102]	.41 [10]	1.62 [41]	8.50 [216]	6.71 [170]	1.06 [27]	3.82 [97]	3.35 [85]	.19 [5] x 1.25 [32]	.75 [19]	.62 [16]	6.00 [152]	3.62 [92]
GHC J	3"	6.00* [152] † 6.31 † [160]	6.88 [175]	4.50 [114] 5.25* [133] 6.25 [159] 7.00 [178] 8.00 [203]	2.88 [73]	4.25 [108]	.44 [11]	2.50 [64]	12.12 [308]	9.75 [248]	1.75 [44]	5.50 [140]	4.66 [118]	.25 [6] x 2.00 [51]	1.00 [25]	1.12 [28]	9.06 [230]	6.75 [171]

* STANDARD DIMENSION
 PORTS ARE COMPATIBLE WITH 150# OR 300# ANSISTEEL FLANGES. ALL OTHER PORTS ARE TAPPED NPT
 † FOR ANSIPIPE. OPTIONAL [DIN FLANGES OR TAPPED [BSP] PORTS AVAILABLE FOR EXPORT MARKET.
 NPT FOR ANSIPIPE. OPTIONAL (DIN) FLANGES OR TAPPED (BSP) PORTS AVAILABLE FOR EXPORT MARKET.
 ‡ 90° HOUSING



CAD FILE NO.: 16669F

MODEL NUMBERS	PUMP DIMENSIONS - INCHES [MILLIMETERS]														
	A	B	C	D	E	F	G	H	J	K	L	M	N	P	Q
GHS G	1-1/2"	4.00 [102]	4.88 [124]	3.50* [89] 4.50 [114] 5.25 [133] 6.25 [159]	1.62 [41]	8.00 [203]	.41 [10]	1.62 [41]	12.06 [306]	10.72 [272]	1.52 [39]	3.35 [85]	5.70 [145]	.19 [5] x 1.25 [32]	.75 [19]
GHS J	3"	6.00† [152] 6.31 [160]	6.88 [175]	5.25* [133] 6.25 [159] 7.00 [178] 8.00 [203]	2.88 [73]	10.00 [254]	.44 [11]	2.50 [64]	15.68 [398]	14.31 [363]	2.77 [70]	4.48 [114]	8.50 [216]	.25 [6] x 2.00 [51]	1.00 [25]
GHS N	2"	5.25* [133] 5.38 [137]	8.00 [203]	4.50 [114] 5.25* [133] 6.25 [159] 7.00 [178] 8.00 [203]	2.88 [73]	10.00 [254]	.44 [11]	2.58 [66]	16.37 [416]	15.14 [385]	2.69 [68]	4.56 [116]	7.59 [193]	.25 [6] x 2.00 [51]	1.12 [32]
	3"	7.19 [183]											8.72 [221]*		
GHS R	2-1/2"														
	3"	7.19 [183]	10.50 [267]	7.00 [178]	3.75 [95]	13.75 [349]	.52 [13]	2.25 [57]	17.87 [454]	17.36 [441]	1.80 [46]	4.70 [119]	11.31 [287]	.38 [10] x 1.88 [48]	1.44 [37]
	4"														

* STANDARD DIMENSION

† PORTS ARE COMPATIBLE WITH 150* OR 300* ANSISTEEL FLANGES. ALL OTHER PORTS ARE TAPPED NPT FOR ANSIPIPE. OPTIONAL (DIN) FLANGES OR TAPPED (BSP) PORTS AVAILABLE FOR EXPORT MARKET.

† 180° HOUSING

GHC/GHS

FOR GHC DRIVE OPTIONS

AND DIMENSIONS

SEE

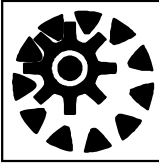
SECTION 540

FOR GHS DRIVE OPTIONS

AND DIMENSIONS

SEE

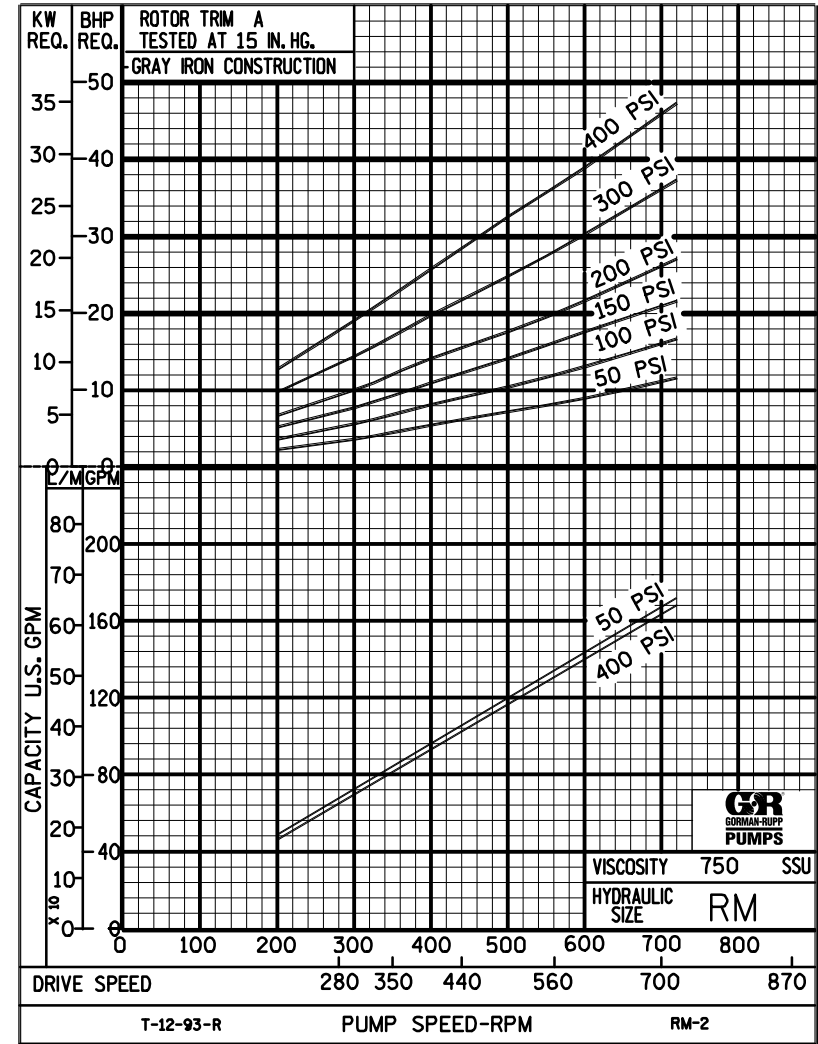
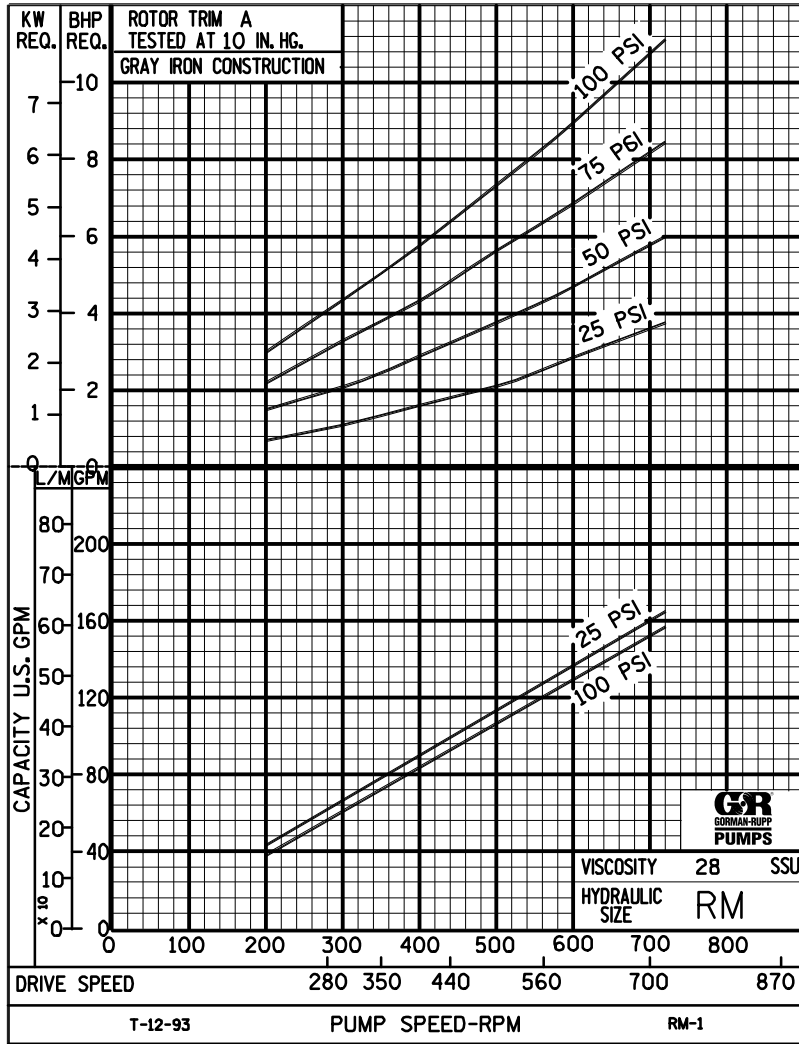
SECTION 545



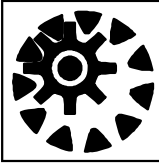
PERFORMANCE CURVES

SPEED VS. CAPACITY/HORSEPOWER

RM Hydraulic Size



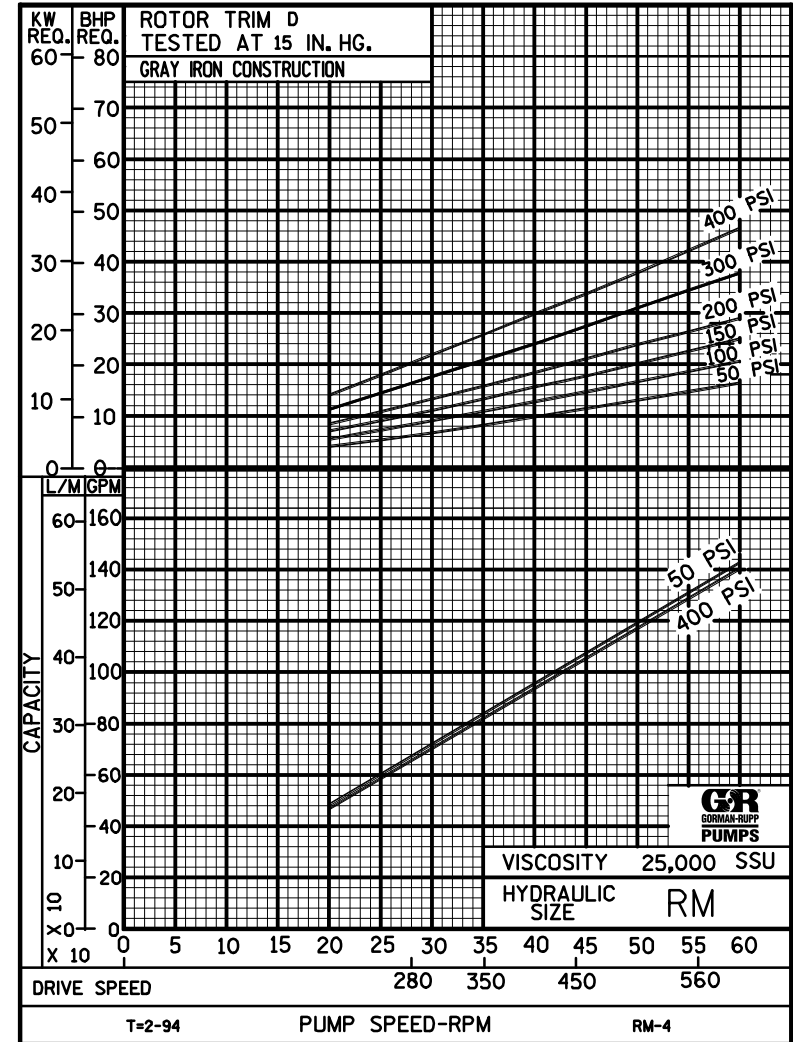
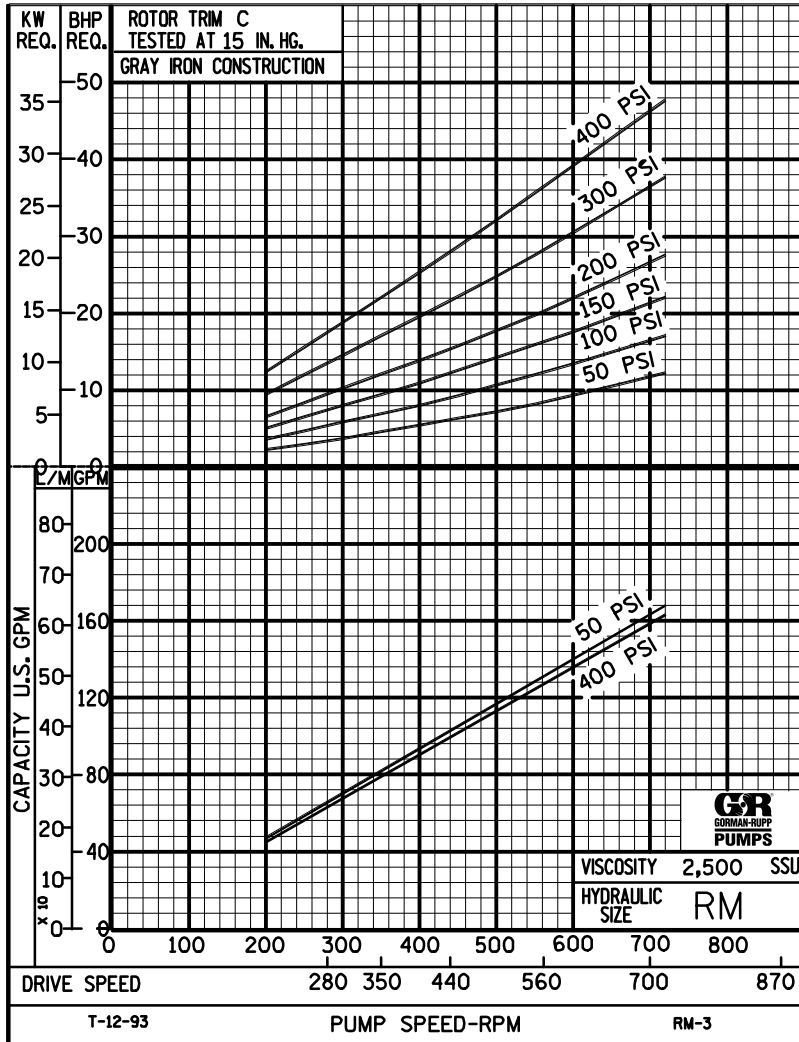
THE GORMAN-RUPP COMPANY • MANSFIELD, OHIO
 GORMAN-RUPP OF CANADA LIMITED • ST. THOMAS, ONTARIO, CANADA



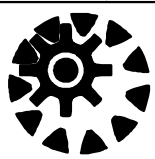
PERFORMANCE CURVES

SPEED VS. CAPACITY/HORSEPOWER

RM Hydraulic Size



THE GORMAN-RUPP COMPANY • MANSFIELD, OHIO
GORMAN-RUPP OF CANADA LIMITED • ST. THOMAS, ONTARIO, CANADA



RM

PUMP HYDRAULIC SIZE CHART

SEC. 500

Page 107

January 2010

153 GPM
640 RPM

NOMINAL		ROTOR TRIM	VISCOSITY (SSU)	N.I.P.R. (PSIA)	FRICTION PIPE LOSS (PSI/FT) <small>(Based on Sch 40 Steel Pipe)</small>					FULL BYPASS RELIEF VALVE PRESSURE (PSI)					CAPACITY (GPM) / H.P. REQUIRED								
CAP. GPM	SPEED RPM				PIPE DIAMETER					CRACKING PRESS. (PSI)					DIFFERENTIAL PRESSURE (PSI)								
					2"	2 1/2"	3"	4"	6"	LOW PRES R/V		HI PRES R/V			MEDIUM DUTY AND HEAVY DUTY				HEAVY DUTY ONLY				
							50	75	100	150	200	25	50	75	100	150	200	300	400				
153	640	STD	28	2.5	.16	.07	.02	.01	-	57	84	120	178		145	142	139	137					
			32		.17	.07	.02	.01	-						3.3	6.1	7.9	10					
			38	2.5	.19	.08	.03	.01	-	60	86	122	180		146	144	141	140	137				
			50		.20	.09	.03	.01	-						4.5	6.8	9.1	11	16				
			70	2.5	.23	.10	.03	.01	-	63	89	124	183	242		148	146	144	143	141	139		
			100		.25	.11	.04	.01	-							5.9	8.1	10	12	17	23		
			150	2.5	.28	.12	.04	.01	-	66	93	127	186	246		150	149	148	147	145	144	142	139
			200		.31	.13	.05	.01	-							6.7	9.2	11	13	18	23	32	41
			300	2.5	.35	.15	.05	.01	-	72	98	131	190	251		152	151	150	150	149	148	146	145
			500		.41	.12	.05	.02	-							7.8	10	12	14	19	24	33	42
		750	2.6	.36	.18	.07	.03	-	75	101	134	193	254		153	152	152	152	151	150	150	149	
		1,000		.48	.24	.10	.03	.01							7.9	10	12	14	19	24	33	42	
		2,000	2.7	.97	.47	.20	.07	.01	82	110	139	199	260		151	150	150	149	149	148	147	146	
		3,500		1.69	.83	.35	.12	.02							8.8	11	13	15	20	24	33	43	
		5,000	2.9	2.42	1.19	.50	.17	.03	86	112	142	202	264		151	150	150	150	149	148	147	146	
		7,500		3.63	1.78	.75	.25	.05							10	13	15	16	21	26	35	45	
		10,000	3.2	4.83	2.37	1.00	.34	.07	89	115	145	205	268		151	151	150	150	150	149	148	147	
		15,000		7.25	3.56	1.49	.50	.10							12	14	16	18	23	28	36	47	
		20,000	3.5	9.67	4.75	1.99	.67	.13	92	118	147	207	270		152	151	151	150	150	150	149	148	
		25,000		12.1	5.94	2.49	.84	.16							14	16	18	20	25	30	39	50	
50,000	"D"																						
75,000																							
100,000	"D"																						
150,000																							
200,000	"D"																						
250,000																							

(NOTE) For speeds not shown on the pump hydraulic charts, consult factory.

