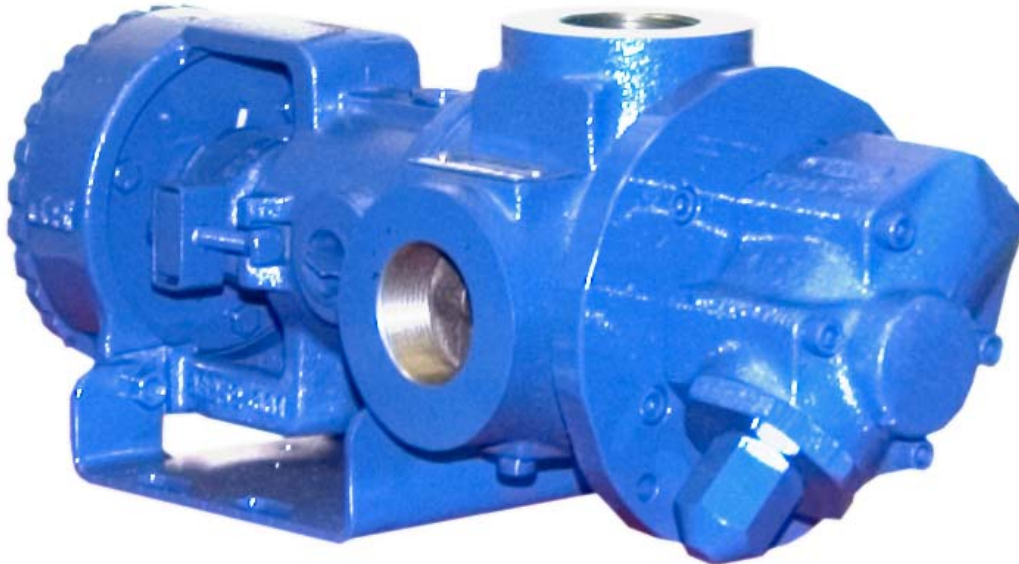


**GHS SERIES  
 FLEXIBLE SEAL  
 HEAVY DUTY STANDARD  
 STAINLESS STEEL ROTARY  
 GEAR PUMP**

This heavy duty series with internal “wetted” parts of 316 Stainless Steel is ideal for handling corrosive applications. Superior rotor shaft support and an integral maintenance-free radial/thrust bearing, reduce deflection and wear. Due to the “galling” nature of stainless, extra internal clearance is necessary. A capacity correction table for liquids less than 750 SSU is available in Section 500.



SHOWN <sup>W</sup>/INTERCHANGE FOOT BRACKET

The GHS stainless series is designed for applications in the operating ranges noted below. These units are available with head and backhead jackets for temperature control, silicon carbide bushings for wear resistance, and numerous shaft seal options described on the following pages.

**FEATURES**

- 200 PSI CAPABILITY
- BALL BEARING THRUST CONTROL
- ROTOR END CLEARANCE EXTERNALLY ADJUSTABLE
- EXCEPTIONAL SEAL VERSATILITY WITH INTERNAL SEAL VENT
- COMPUTER PROFILED GEARING FOR QUIET OPERATION
- MULTIPLE PORT POSITIONS
- FLEXIBLE SEAL DESIGN ALLOWS FOR A VARIETY OF INDUSTRY STANDARD SEALS OR PACKING

**OPERATING RANGE**

- CAPACITY (GPM): (3 TO 295)  
 [LPM] : [11 TO 1116]
- PRESSURE (PSI) : [0 TO 200]  
 [BAR] : [0 TO 14]
- VISCOSITY (SSU) : (28 TO 2,000,000)  
 [cSt] : [1 TO 440,000]
- TEMPERATURE (F) : (-30° TO 675°)  
 [C] : [-34° TO 358°]

**APPLICATIONS**

- USE WITH ANY CLEAN LIQUID COMPATIBLE WITH 316 STAINLESS STEEL
- ★ BOOSTER SERVICE
  - ★ CIRCULATING
  - ★ FILTERING
  - ★ LUBRICATING
  - ★ TRANSFERRING

EXTERIOR	BACKHD	ROTOR & IDLER	HOUSING PORTS	BUSHING	IDLER PIN	SHAFT	SHAFT SEALING		ROTA-TION	INTERNAL RELIEF VALVE	
							MECH. SEAL	PACKING		MATERIAL	SETTING
316 STAIN. STEEL	CAST IRON	316 STAIN. STEEL	GHC 180° FLG. GHS 90° NPT	CARBON GRAPHITE	COATED 316 SST	STAIN. STEEL	CARBON, SIC, TEFLON ENC.	CARBON FIBER	C.W.	316 STAINLESS STEEL	75 PSI [5 BAR]

**G H C 1 DC 9 - B**  
**G H S 1 DC 9 - B**  
 | | | | | | | | | | | |  
 GEAR DUTY DESIGN PORT SIZE HYD. SIZE SEAL STYLE

## Standard Models

MODEL NUMBER		NOM. CAPACITY - SPEED				MAXIMUM				SHIPPING DATA	
		MAXIMUM		ALTERNATIVE		DIFF. PRESSURE - PSI [BAR]			TEMP.	Wt.	Vol.
		GPM [LPM]	RPM 60 Hz [50 HZ]	GPM [LPM]	RPM 60 Hz [50 HZ]	BELOW 38 SSU [4 cSt]	38 TO 100 SSU [21 cSt]	100 TO 250,000 SSU [55,000 cSt]	°F [°C]		
<b>GHC 1 DC9-B</b> ① ● ▸	<b>GHS 1 DC9-B</b> ① ● ● <b>GHS 1 DC10-B</b> ① ■ ■	9 [28]		6 [19]						32 [14,5]	2.9
<b>GHC 1 DE9-B</b> ① ● ● ▸	<b>GHS 1 DE9-B</b> ① ● ● ● <b>GHS 1 DE10-B</b> ① ■ ■ ■	11 [35]		7 [22]						32 [14,5]	2.9
<b>GHC 1-1/2 GC9-B</b> ● ● ▸	<b>GHS 1-1/2 GC9-B</b> ● ● ● <b>GHS 1-1/2 GC10-B</b> ■ ■ ■	16 [50]		10 [32]						63 [28,6]	2.9
	<b>GHS 2 GC9-B</b> ● ● ● <b>GHS 2 GC10-B</b> ■ ■ ■									63 [28,6]	2.9
<b>GHC 1-1/2 GF9-B</b> ● ● ▸	<b>GHS 1-1/2 GF9-B</b> ● ● ● ● <b>GHS 1-1/2 GF10-B</b> ■ ■ ■ ■	23 [73]	1750 [1460]	15 [47]	1150 [960]					<b>GHC</b> ● 350 [177]	2.9
	<b>GHS 2 GF9-B</b> ● ● ● ● <b>GHS 2 GF10-B</b> ■ ■ ■ ■									63 [28,6]	2.9
<b>GHC 1-1/2 GH9-B</b> ● ● ▸	<b>GHS 1-1/2 GH9-B</b> ● ● ● ● <b>GHS 1-1/2 GH10-B</b> ■ ■ ■ ■	31 [98]		20 [63]		75 [5]	100 [7]	200 [14]		<b>GHS</b> ● 400 [204]	2.9
	<b>GHS 2 GH9-B</b> ● ● ● ● <b>GHS 2 GH10-B</b> ■ ■ ■ ■									63 [28,6]	2.9
<b>GHC 1-1/2 GJ9-B</b> ● ● ▸	<b>GHS 1-1/2 GJ9-B</b> ● ● ● ● <b>GHS 1-1/2 GJ10-B</b> ■ ■ ■ ■	38 [120]		25 [79]						500 [260]	2.9
	<b>GHS 2 GJ9-B</b> ● ● ● ● <b>GHS 2 GJ10-B</b> ■ ■ ■ ■									63 [28,6]	2.9
	<b>GHS 2 JG9-B</b> ● ● ● ● <b>GHS 2 JG10-B</b> ■ ■ ■ ■	40 [126]	1150 [960]	30 [95]	870 [725]					161 [73,2]	5.3
<b>GHC 3 JG9-B</b> ● ● ▸	<b>GHS 3 JG9-B</b> ● ● ● ● <b>GHS 3 JG10-B</b> ■ ■ ■ ■									161 [73,2]	5.3
	<b>GHS 2 JJ9-B</b> ● ● ● ● <b>GHS 2 JJ10-B</b> ■ ■ ■ ■	56 [177]		42 [133]						161 [73,2]	5.3
<b>GHC 3 JJ9-B</b> ● ● ▸	<b>GHS 3 JJ9-B</b> ● ● ● ● <b>GHS 3 JJ10-B</b> ■ ■ ■ ■									161 [73,2]	5.3

STANDARD MODELS CONTINUED

① 3450 [2875] RPM PERMISSIBLE TO 1,000 SSU [220 cSt.] AND 100 PSI [7 BAR]

● MECHANICAL SEAL  
■ PACKING/LIP SEAL

▸ PORTS ARE COMPATIBLE WITH 150# ANSI FLANGES. ALL OTHER PORTS ARE TAPPED NPT FOR ANSI PIPE. OPTIONAL [DIN] FLANGES OR TAPPED [BSP] PORTS ARE AVAILABLE FOR EXPORT MARKET.

NOTE: RECOMMENDED PORT SIZES ARE SHOWN IN **BOLDFACE**. EXAMPLE: **GHC 1 DC9-B**, **GHS 1 DC9-B**

**THE GORMAN-RUPP COMPANY • MANSFIELD, OHIO**

GORMAN-RUPP OF CANADA LIMITED • ST. THOMAS, ONTARIO, CANADA

# Standard Models (Continued)

MODEL NUMBER		NOM. CAPACITY - SPEED				MAXIMUM				SHIPPING DATA	
		MAXIMUM		ALTERNATIVE		DIFF. PRESSURE - PSI [BAR]			TEMP.	Wt.	Vol.
		GPM [LPM]	RPM 60 Hz [50 HZ]	GPM [LPM]	RPM 60 Hz [50 HZ]	BELOW 38 SSU [4 cSt]	38 TO 100 SSU [21 cSt]	100 TO 250,000 SSU [55,000 cSt]	°F [°C]	LBS [KG]	CU. FT.
GHC	GHS 2 JL9-B ●	77 [243]	1150 [960]	58 [133]	870 [725]	75 [5]	100 [7]	200 [14]	161 [73,2]	5.3	
	GHS 2 JL10-B ■										
GHC 3 JL9-B ● †	GHS 3 JL9-B ●	107 [338]	960 [960]	81 [256]	580 [480]	75 [5]	100 [7]	200 [14]	161 [73,2]	5.3	
	GHS 3 JL10-B ■										
GHC 3 JP9-B ● †	GHS 2 JP9-B ●	132 [500]	960 [960]	80 [252]	580 [480]	75 [5]	100 [7]	200 [14]	161 [73,2]	5.3	
	GHS 2 JP10-B ■										
GHC 3 JP9-B ● †	GHS 3 JP9-B ●	165 [624]	960 [960]	99 [312]	580 [480]	75 [5]	100 [7]	200 [14]	161 [73,2]	5.3	
	GHS 3 JP10-B ■										
GHC	GHS 2 NK9-B ●	99 [375]	960 [960]	60 [189]	580 [480]	75 [5]	100 [7]	200 [14]	180 [81,8]	5.3	
	GHS 2 NK10-B ■										
GHC 3 NK9-B ●	GHS 2-1/2 NK9-B ●	132 [500]	960 [960]	80 [252]	580 [480]	75 [5]	100 [7]	200 [14]	180 [81,8]	5.3	
	GHS 2-1/2 NK10-B ■										
GHC 3 NK9-B ●	GHS 3 NK9-B ●	165 [624]	960 [960]	99 [312]	580 [480]	75 [5]	100 [7]	200 [14]	180 [81,8]	5.3	
	GHS 3 NK10-B ■										
GHC 3 NM9-B ●	GHS 2 NM9-B ●	172 [542]	960 [960]	115 [362]	580 [480]	75 [5]	100 [7]	200 [14]	180 [81,8]	5.3	
	GHS 2 NM10-B ■										
GHC 3 NM9-B ●	GHS 2-1/2 NM9-B ●	215 [678]	960 [960]	115 [362]	580 [480]	75 [5]	100 [7]	200 [14]	180 [81,8]	5.3	
	GHS 2-1/2 NM10-B ■										
GHC 3 NP9-B ●	GHS 3 NP9-B ●	172 [542]	960 [960]	115 [362]	580 [480]	75 [5]	100 [7]	200 [14]	180 [81,8]	5.3	
	GHS 3 NP10-B ■										
GHC 3 NP9-B ●	GHS 2 RM9-B ●	172 [542]	960 [960]	115 [362]	580 [480]	75 [5]	100 [7]	200 [14]	180 [81,8]	5.3	
	GHS 2 RM10-B ■										
GHC 3 RM9-B ● †	GHS 2-1/2 RM9-B ● †	215 [678]	960 [960]	143 [451]	480 [400]	75 [5]	100 [7]	200 [14]	357 [162]	10.7	
	GHS 2-1/2 RM10-B ■ †										
GHC 3 RM9-B ● †	GHS 3 RM9-B ● †	215 [678]	960 [960]	143 [451]	480 [400]	75 [5]	100 [7]	200 [14]	357 [162]	10.7	
	GHS 3 RM10-B ■ †										
GHC 3 RP9-B ● †	GHS 4 RM9-B ● †	215 [678]	960 [960]	143 [451]	480 [400]	75 [5]	100 [7]	200 [14]	357 [162]	10.7	
	GHS 4 RM10-B ■ †										
GHC 3 RP9-B ● †	GHS 3 RP9-B ● †	215 [678]	960 [960]	143 [451]	480 [400]	75 [5]	100 [7]	200 [14]	357 [162]	10.7	
	GHS 3 RP10-B ■ †										
GHC 3 RP9-B ● †	GHS 4 RP9-B ● †	215 [678]	960 [960]	143 [451]	480 [400]	75 [5]	100 [7]	200 [14]	357 [162]	10.7	
	GHS 4 RP10-B ■ †										

STANDARD MODELS CONTINUED

● MECHANICAL SEAL  
■ PACKING/LIP SEAL

† PORTS ARE COMPATIBLE WITH 150# ANSI FLANGES. ALL OTHER PORTS ARE TAPPED NPT FOR ANSI PIPE. OPTIONAL [DIN] FLANGES OR TAPPED [BSP] PORTS ARE AVAILABLE FOR EXPORT MARKET.

NOTE: RECOMMENDED PORT SIZES ARE SHOWN IN **BOLDFACE**. EXAMPLE: **GHC 1 DC9-B, GHS 1 DC9-B**

**THE GORMAN-RUPP COMPANY • MANSFIELD, OHIO**  
GORMAN-RUPP OF CANADA LIMITED • ST. THOMAS, ONTARIO, CANADA

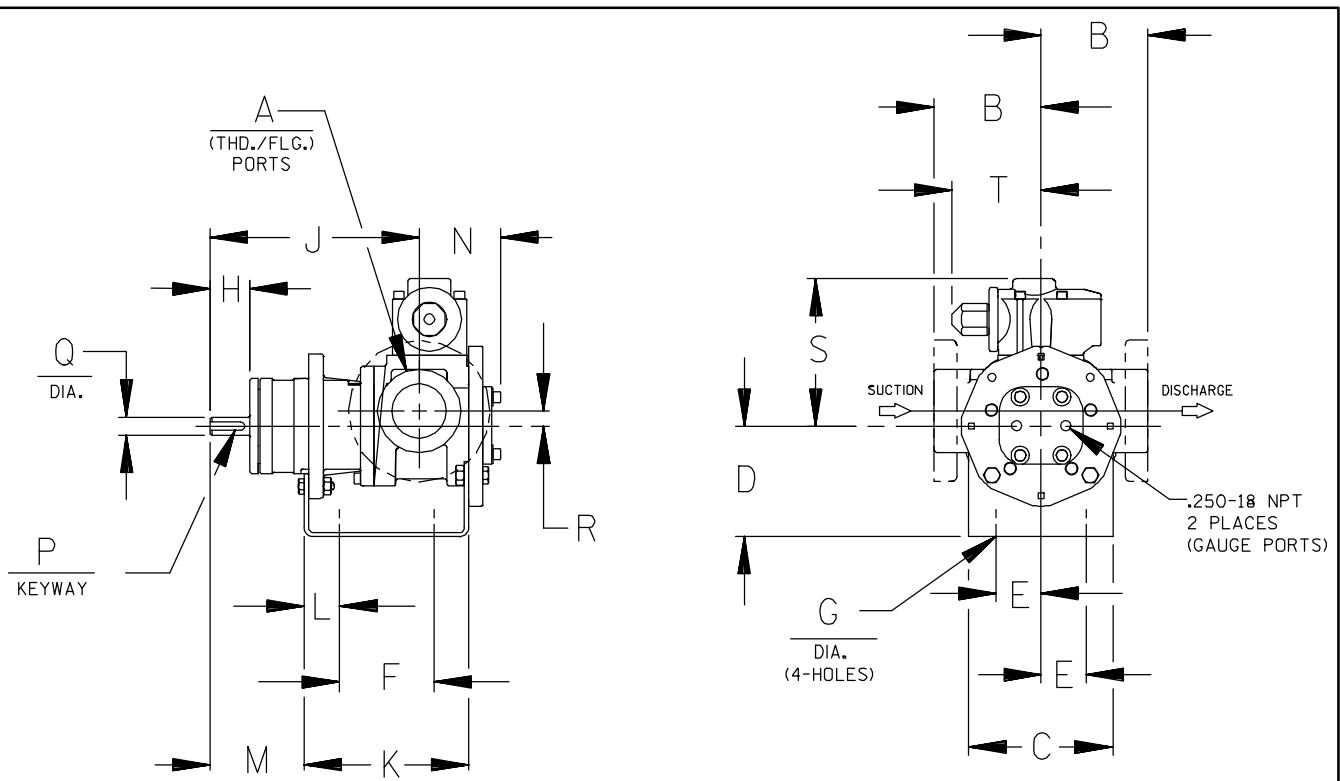
MODEL NUMBER		NOM. CAPACITY - SPEED				MAXIMUM				SHIPPING DATA	
		MAXIMUM		ALTERNATIVE		DIFF. PRESSURE - PSI [BAR]			TEMP.	Wt.	Vol.
		GPM [LPM]	RPM 60 Hz [50 HZ]	GPM [LPM]	RPM 60 Hz [50 HZ]	BELOW 38 SSU [4 cSt]	38 TO 100 SSU [21 cSt]	100 TO 250,000 SSU [55,000 cSt]	°F [°C]	LBS [KG]	CU. FT.
GHC	GHS										
	GHS 3 RR9-B ● ▸ GHS 3 RR10-B ■ ▸	255 [804]	720 [600]	170 [536]	480 [400]	75 [5]	100 [7]	200 [14]	GHS ● 400 [204] ■ 500 [260]	357 [162]	10.7
	GHS 4 RR9-B ● ▸ GHS 4 RR10-B ■ ▸			196 [618]						357 [162]	
	GHS 4 RS9-B ● ▸ GHS 4 RS10-B ■ ▸			295 [930]						357 [162]	

▸ PORTS ARE COMPATIBLE WITH 150# ANSI STAINLESS STEEL FLANGES. ALL OTHER PORTS ARE TAPPED NPT FOR ANSI PIPE. OPTIONAL [DIN] FLANGES OR TAPPED [BSP] PORTS AVAILABLE FOR EXPORT MARKET.

NOTE: RECOMMENDED PORT SIZES ARE SHOWN IN BOLDFACE. EXAMPLE: **GHC 1 DC9-B, GHS 1 DC9-B**

APPLICATION RECOMMENDATIONS:		
APPLICATION	OPTIONS REQUIRED (Select One From Each Row)	OPERATING LIMITATIONS
GHS ONLY HIGH TEMPERATURE	25U, 25V, OR 25W 35J – 35M (AS REQ'D) 40R, 70K 61H OR 65Q	TEMPERATURE: 675 °F MAX. PRESSURE: 200 PSI MAX.
GHS ONLY JACKETED	40K, 40W, 41U, 41W	LIMIT JACKET PRESSURE TO 150 PSI

NOTE: PROPER PUMP APPLICATION REQUIRES CONSIDERATION OF ADDITIONAL FACTORS. PLEASE REVIEW APPLICATION GUIDE IN SECTION 500 OR CONSULT THE FACTORY.



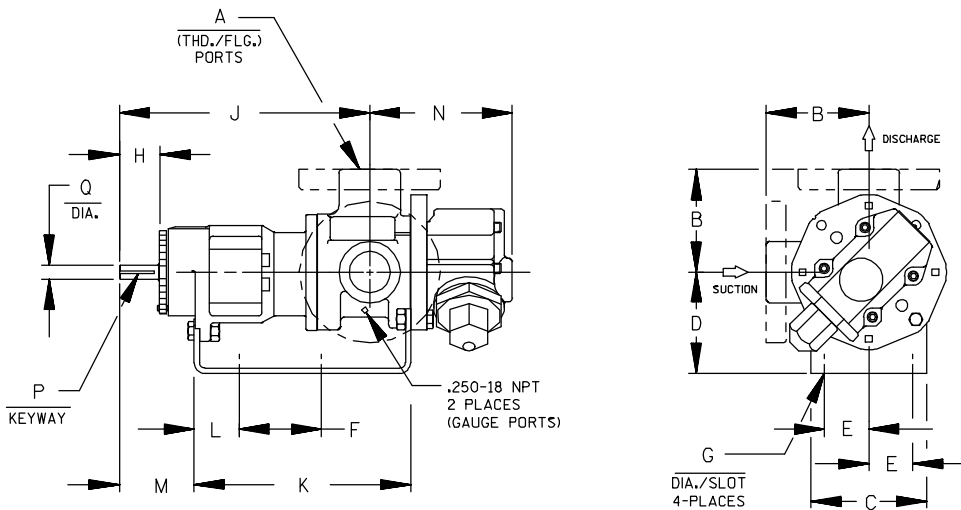
CAD FILE NO.: 16458B

MODEL NUMBERS	PUMP DIMENSIONS - INCHES [MILLIMETERS]																	
	A	B	C	D	E	F	G	H	J	K	L	M	N	P	Q	R	S	T
GHC D	1"	2.50 [64] †	4.00 [102]	3.50* [89]	1.62 [41]	3.12 [79]	.41 [10]	1.16 [30]	6.19 [157]	5.04 [128]	.76 [19]	2.62 [66]	2.74 [70]	.12 [3]	.50 [13]	.62 [16]	5.19 [132]	3.58 [91]
		4.00* [102] †		5.25 [133]										.75 [19]				
GHC G	1-1/2"	3.50 [89] †	5.88 [149]	3.50* [89]	1.62 [41]	4.00 [102]	.41 [10]	1.62 [41]	8.50 [216]	6.71 [170]	1.06 [27]	3.82 [97]	3.35 [85]	.19 [5]	.75 [19]	.62 [16]	6.00 [152]	3.62 [92]
		4.00* [102] †		4.50 [114]										5.25 [133]				
GHC J	3"	4.50 [114] †	6.88 [175]	4.50 [114]	2.88 [73]	4.25 [108]	.44 [11]	2.50 [64]	12.12 [308]	9.75 [248]	1.75 [44]	5.50 [140]	4.66 [118]	.25 [6]	1.00 [25]	1.12 [28]	9.06 [230]	6.75 [171]
		6.00* [152] †		5.25* [133]										6.25 [159]				

\* STANDARD DIMENSION

† PORTS ARE COMPATIBLE WITH 125\* OR 250\* ANSI CAST IRON FLANGES. ALL OTHER PORTS ARE TAPPED NPT FOR ANSI PIPE. OPTIONAL (DIN) FLANGES OR TAPPED (BSP) PORTS AVAILABLE FOR EXPORT MARKET.

† 90° HOUSING



CAD FILE NO.: 16669G

MODEL NUMBERS	PUMP DIMENSIONS - INCHES [MILLIMETERS]															
	A	B	C	D	E	F	G	H	J	K	L	M	N	P	Q	
GHS D	1"	2.50* [641]	4.00 [102]	3.50* [891]	4.50 [114]	1.62 [41]	5.50 [140]	.41 [10]	1.16 [30]	8.43 [214]	7.54 [192]	1.09 [28]	2.29 [58]	4.98 [127]	.12 [3] x .75 [19]	.50 [13]
		4.00 † [102]														
GHS G	1-1/2" 2"	3.50* [891]	4.88 [124]	3.50* [891]	4.50 [114]	1.62 [41]	8.00 [203]	.41 [10]	1.62 [41]	12.06 [306]	10.72 [272]	1.52 [39]	3.35 [85]	5.70 [145]	.19 [5] x 1.25 [32]	.75 [19]
		4.00 † [102]														
GHS J	2" 3"	4.50* [114]	6.88 [175]	5.25* [133]	6.25 [159]	2.88 [73]	10.00 [254]	.44 [11]	2.50 [64]	15.68 [398]	14.31 [363]	2.77 [70]	4.48 [114]	8.50 [216]	.25 [6] x 2.00 [51]	1.00 [25]
		6.00 † [152]														
GHS N	2" 3"	5.12 [130]	8.00 [203]	4.50 [114]	6.25 [159]	2.88 [73]	10.00 [254]	.44 [11]	2.58 [66]	16.37 [416]	15.14 [385]	2.69 [68]	4.56 [116]	8.72 [221]	.25 [6] x 2.00 [51]	1.12 [32]
GHS R	2" 2-1/2" 3" 4"	6.50 [165]	10.50 [267]	7.00 [178]	3.75 [95]	13.75 [349]	.52 [13]	2.25 [57]	17.87 [454]	17.36 [441]	1.86 [47]	4.70 [119]	11.31 [287]	.38 [10] x 1.88 [48]	1.44 [37]	
																7.19 † [183]

\* STANDARD DIMENSION

† PORTS ARE COMPATIBLE WITH 150# OR 300# ANSISTAINLESS STEEL FLANGES. ALL OTHER PORTS ARE TAPPED NPT FOR ANSI PIPE. OPTIONAL (DIN) FLANGES OR TAPPED (BSP) PORTS AVAILABLE FOR EXPORT MARKET.

‡ 180° HOUSING

# **GHC/GHS**

**FOR GHC DRIVE OPTIONS**

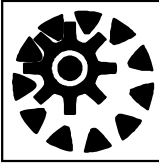
**AND DIMENSIONS**

**SEE SECTION 540**

**FOR GHS DRIVE OPTIONS**

**AND DIMENSIONS**

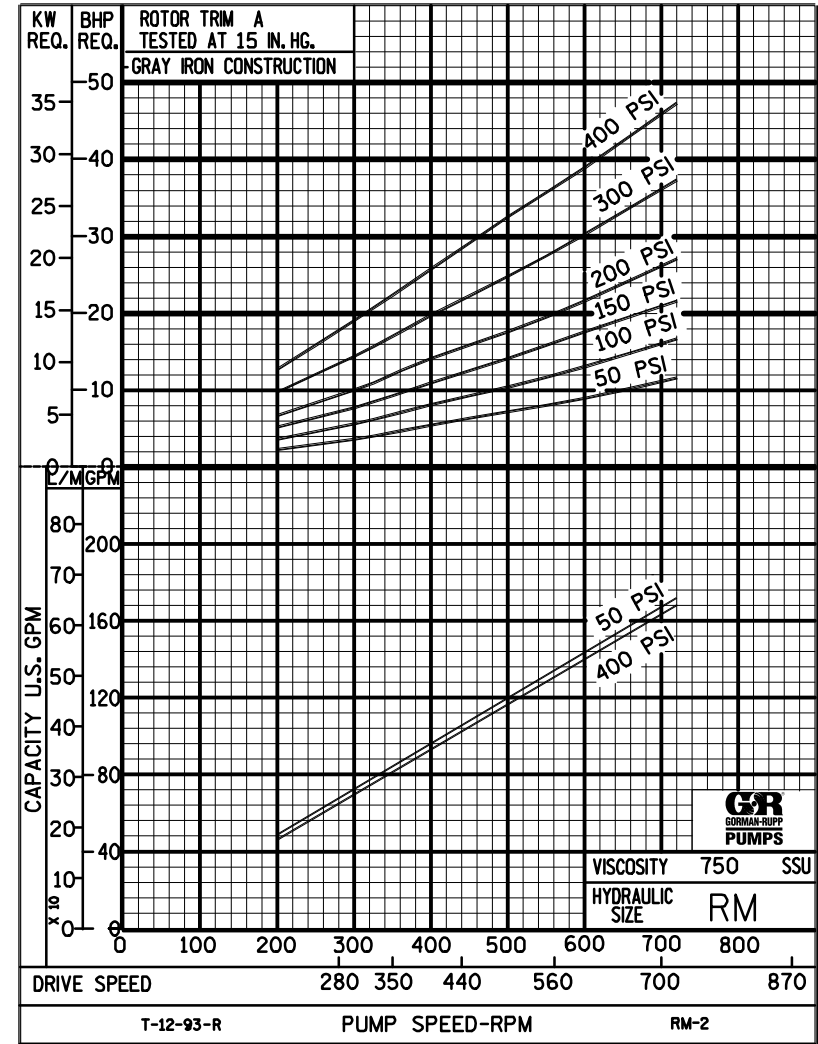
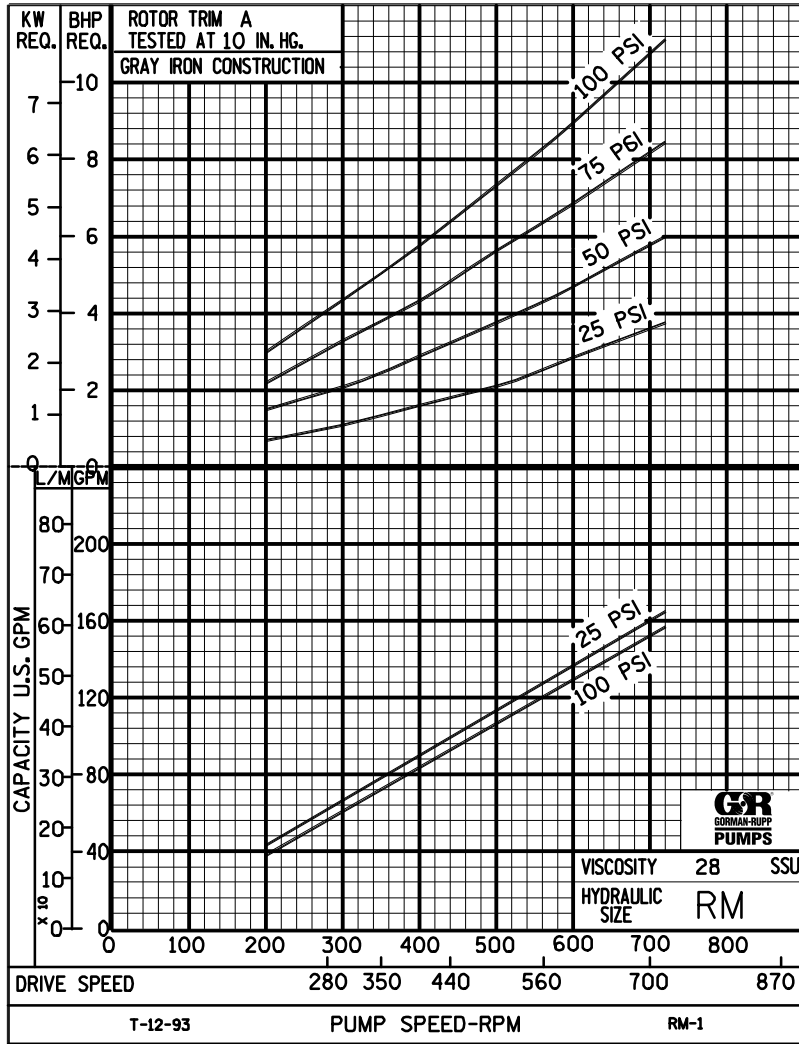
**SEE SECTION 545**



# PERFORMANCE CURVES

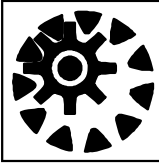
## SPEED VS. CAPACITY/HORSEPOWER

**RM** Hydraulic Size



**THE GORMAN-RUPP COMPANY • MANSFIELD, OHIO**  
 GORMAN-RUPP OF CANADA LIMITED • ST. THOMAS, ONTARIO, CANADA

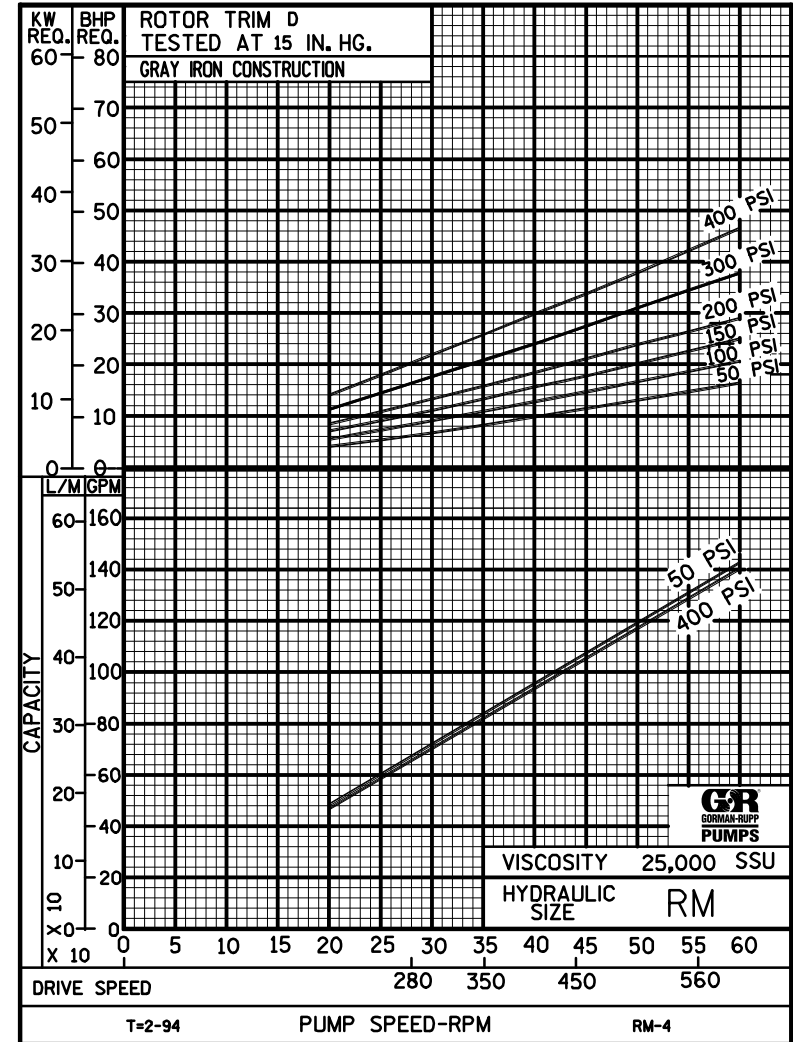
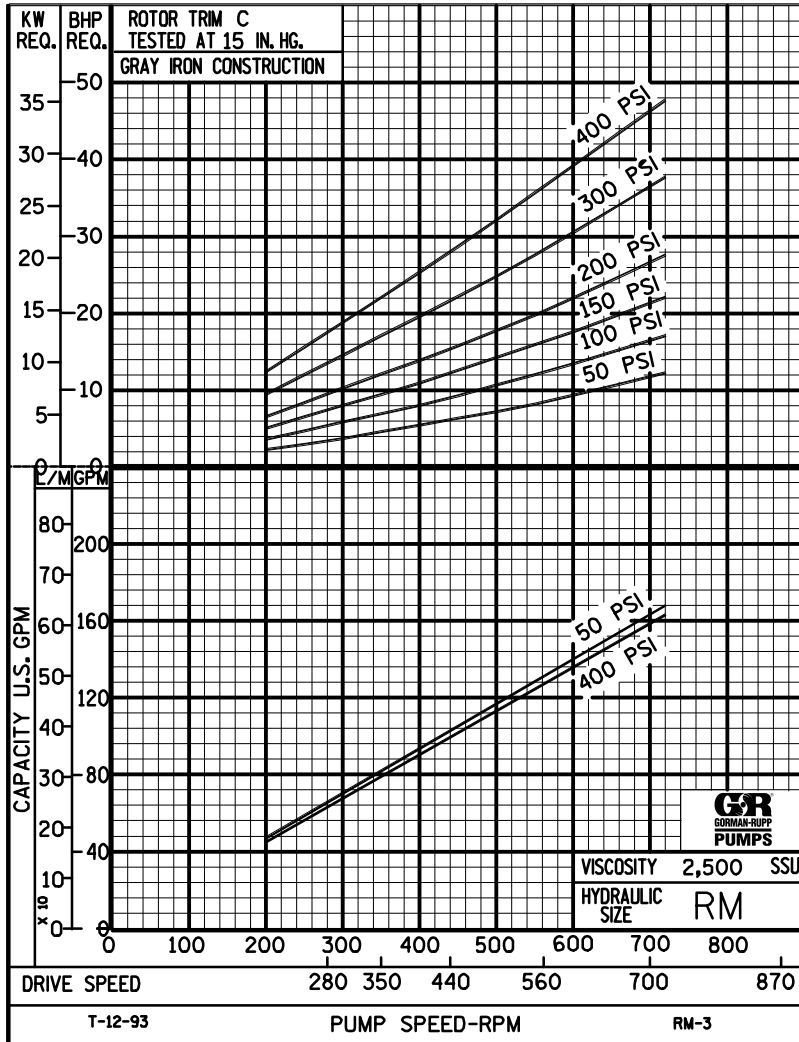




# PERFORMANCE CURVES

## SPEED VS. CAPACITY/HORSEPOWER

**RM** Hydraulic Size



**THE GORMAN-RUPP COMPANY • MANSFIELD, OHIO**  
 GORMAN-RUPP OF CANADA LIMITED • ST. THOMAS, ONTARIO, CANADA



# RM

## PUMP HYDRAULIC SIZE CHART

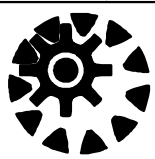
SEC. 500

Page 106  
January 2010

172 GPM  
720 RPM

NOMINAL		ROTOR TRIM	VISCOSITY (SSU)	N.I.P.R. (PSIA)	FRICTION PIPE LOSS (PSI/FT) <small>(Based on Sch 40 Steel Pipe)</small>					FULL BYPASS RELIEF VALVE PRESSURE (PSI)					CAPACITY (GPM) / H.P. REQUIRED								
CAP. GPM	SPEED RPM				PIPE DIAMETER					CRACKING PRESS. (PSI)					DIFFERENTIAL PRESSURE (PSI)								
					2"	2 1/2"	3"	4"	6"	LOW PRES R/V		HI PRES R/V			25	50	75	100	150	200	300	400	
															HEAVY DUTY								
172	720	STD	28	3.1	.21	.08	.03	.01	-	58	84	121	178	165	161	159	157						
			32	3.1	.22	.09	.03	.01	-	58	84	121	178	4.1	6.2	9.1	11						
			38	3.1	.23	.10	.03	.01	-	61	87	123	181	166	163	160	159	155					
			50	3.1	.26	.11	.04	.01	-	61	87	123	181	5.2	7.8	10	13	18					
			70	3.1	.29	.12	.04	.01	-	65	90	126	185	245	168	166	164	162	160	158			
			100	3.1	.32	.14	.05	.01	-	65	90	126	185	245	6.8	9.2	12	14	20	25			
			150	3.1	.35	.15	.05	.01	-	69	94	130	188	250	170	168	167	166	164	163	161	158	
			200	3.1	.38	.16	.06	.02	-	69	94	130	188	250	7.8	10	13	15	21	26	36	47	
			300	3.1	.43	.19	.07	.02	-	74	100	134	193	256	171	170	170	169	168	166	166	165	
		500	3.1	.50	.22	.06	.02	-	74	100	134	193	256	8.9	11	14	16	22	27	37	47		
		750	3.2	.41	.20	.08	.03	.01	78	104	137	197	260	172	172	172	171	170	169	169	168		
		1,000	3.2	.55	.27	.11	.04	.01	78	104	137	197	260	9.4	12	14	17	22	27	37	48		
		2,000	3.4	1.10	.54	.23	.08	.01	85	111	143	203	269	169	168	168	168	167	167	165	163		
		3,500	3.4	1.92	.94	.40	.13	.03	85	111	143	203	269	11	13	16	18	23	28	38	49		
		5,000	3.6	2.74	1.35	.56	.19	.04	89	115	147	207	273	169	169	168	168	167	167	166	164		
		7,500	3.6	4.11	2.02	.85	.29	.06	89	115	147	207	273	11	14	17	19	24	29	39	50		
		10,000	3.9	5.48	2.69	1.13	.38	.07	93	119	150	211	278	170	169	169	168	168	168	167	165		
		15,000	3.9	8.22	4.04	1.69	.57	.11	93	119	150	211	278	13	15	17	21	26	31	41	52		
20,000																							
25,000																							
50,000																							
75,000																							
100,000																							
150,000																							
200,000																							
250,000																							

(NOTE) For speeds not shown on the pump hydraulic charts, consult factory.



# RM

## PUMP HYDRAULIC SIZE CHART

SEC. 500

Page 107

January 2010

153 GPM  
640 RPM

NOMINAL		ROTOR TRIM	VISCOSITY (SSU)	N.I.P.R. (PSIA)	FRICTION PIPE LOSS (PSI/FT) (Based on Sch 40 Steel Pipe)					FULL BYPASS RELIEF VALVE PRESSURE (PSI)					CAPACITY (GPM) / H.P. REQUIRED							
CAP. GPM	SPEED RPM				PIPE DIAMETER					CRACKING PRESS. (PSI)					DIFFERENTIAL PRESSURE (PSI)							
					2"	2 1/2"	3"	4"	6"	LOW PRES R/V			HI PRES R/V		MEDIUM DUTY AND HEAVY DUTY				HEAVY DUTY ONLY			
							50	75	100	150	200	25	50	75	100	150	200	300	400			
153	640	STD	28	2.5	.16	.07	.02	.01	-	57	84	120	178		145	142	139	137				
			32		.17	.07	.02	.01	-						3.3	6.1	7.9	10				
			38	2.5	.19	.08	.03	.01	-	60	86	122	180		146	144	141	140	137			
			50		.20	.09	.03	.01	-						4.5	6.8	9.1	11	16			
			70	2.5	.23	.10	.03	.01	-	63	89	124	183	242	148	146	144	143	141	139		
			100		.25	.11	.04	.01	-						5.9	8.1	10	12	17	23		
			150	2.5	.28	.12	.04	.01	-	66	93	127	186	246	150	149	148	147	145	144	142	139
			200		.31	.13	.05	.01	-						6.7	9.2	11	13	18	23	32	41
			300	2.5	.35	.15	.05	.01	-	72	98	131	190	251	152	151	150	150	149	148	146	145
			500		.41	.12	.05	.02	-						7.8	10	12	14	19	24	33	42
		750	2.6	.36	.18	.07	.03	-	75	101	134	193	254	153	152	152	152	151	150	150	149	
		1,000		.48	.24	.10	.03	.01						7.9	10	12	14	19	24	33	42	
		2,000	2.7	.97	.47	.20	.07	.01	82	110	139	199	260	151	150	150	149	149	148	147	146	
		3,500		1.69	.83	.35	.12	.02						8.8	11	13	15	20	24	33	43	
		5,000	2.9	2.42	1.19	.50	.17	.03	86	112	142	202	264	151	150	150	150	149	148	147	146	
		7,500		3.63	1.78	.75	.25	.05						10	13	15	16	21	26	35	45	
		10,000	3.2	4.83	2.37	1.00	.34	.07	89	115	145	205	268	151	151	150	150	150	149	148	147	
		15,000		7.25	3.56	1.49	.50	.10						12	14	16	18	23	28	36	47	
		20,000	3.5	9.67	4.75	1.99	.67	.13	92	118	147	207	270	152	151	151	150	150	150	149	148	
		25,000		12.1	5.94	2.49	.84	.16						14	16	18	20	25	30	39	50	
50,000	"D"																					
75,000																						
100,000	"D"																					
150,000																						
200,000	"D"																					
250,000																						

(NOTE) For speeds not shown on the pump hydraulic charts, consult factory.



# RM

## PUMP HYDRAULIC SIZE CHART

SEC. 500

Page 108  
January 2010

125 GPM  
520 RPM

NOMINAL		ROTOR TRIM	VISCOSITY (SSU)	N.I.P.R. (PSIA)	FRICTION PIPE LOSS (PSI/FT) <small>(Based on Sch 40 Steel Pipe)</small>					FULL BYPASS RELIEF VALVE PRESSURE (PSI)					CAPACITY (GPM) / H.P. REQUIRED								
CAP. GPM	SPEED RPM				PIPE DIAMETER					CRACKING PRESS. (PSI)					DIFFERENTIAL PRESSURE (PSI)								
					2"	2 1/2"	3"	4"	6"	LOW PRES R/V		HI PRES R/V			MEDIUM DUTY AND HEAVY DUTY				HEAVY DUTY ONLY				
125	520	STD	28	1.9	.11	.05	.02	-	-	55	83	119	176	116	113	112	109						
			32		.12	.05	.02	-	-					2.3	4.1	7.1	9.8						
			38	1.9	.13	.05	.02	.01	-	57	85	121	177	118	115	113	111	108					
			50		.15	.06	.02	.01	-					3.5	5.1	7.9	10	14					
			70	1.9	.16	.07	.02	.01	-	60	88	123	180	236	120	118	117	115	113	110			
			100		.18	.08	.03	.01	-					4.5	6.1	8.9	11	15	18				
			150	1.9	.21	.09	.03	.01	-	64	91	125	182	239	122	121	120	119	117	115	113	111	
			200		.22	.10	.03	.01	-					5.2	6.8	9.3	11	15	18	26	34		
			300	1.9	.25	.11	.02	.01	-	68	95	128	185	242	124	123	122	121	120	119	118	117	
			500		.20	.10	.04	.01	-					5.6	7.4	9.4	11	15	18	26	34		
		750	2.0	.30	.15	.06	.02	-	72	98	130	187	244	125	124	124	123	123	122	122	121		
		1,000		.40	.20	.08	.03	.01					5.9	7.6	9.6	11	15	18	26	34			
		2,000	2.3	.81	.40	.17	.06	.01	78	104	134	191	249	123	122	122	121	120	120	118	118		
		3,500		1.41	.69	.29	.10	.02					6.7	8.4	11	12	16	19	26	34			
		5,000	2.6	2.01	.99	.42	.14	.03	81	107	136	194	252	123	123	122	122	121	121	119	119		
		7,500		3.02	1.48	.62	.21	.04					8.4	10	12	14	17	21	28	35			
		10,000	2.9	4.03	1.98	.83	.28	.05	85	110	139	196	254	124	123	123	122	122	122	120	120		
		15,000		6.04	2.97	1.25	.42	.08					10	12	14	16	19	23	30	37			
		20,000	3.2	8.06	3.96	1.66	.56	.11	87	112	140	197	256	124	124	123	123	123	123	122	121		
		25,000		10.1	4.95	2.08	.70	.14					12	13	16	17	21	25	32	39			
50,000	4.6	20.1	9.90	4.15	1.40	.27	93	117	143	202	260	124	124	123	123	123	123	122	121				
75,000		30.2	14.8	6.23	2.10	.41					16	18	20	22	26	30	38	45					
100,000	"D"																						
150,000																							
200,000																							
250,000																							

(NOTE) For speeds not shown on the pump hydraulic charts, consult factory.



# RM

## PUMP HYDRAULIC SIZE CHART

SEC. 500

Page 109  
January 2010

85 GPM  
350 RPM

NOMINAL		ROTOR TRIM	VISCOSITY (SSU)	N.I.P.R. (PSIA)	FRICTION PIPE LOSS (PSI/FT) <small>(Based on Sch 40 Steel Pipe)</small>					FULL BYPASS RELIEF VALVE PRESSURE (PSI)					CAPACITY (GPM) / H.P. REQUIRED							
CAP. GPM	SPEED RPM				PIPE DIAMETER					CRACKING PRESS. (PSI)					DIFFERENTIAL PRESSURE (PSI)							
					2"	2 1/2"	3"	4"	6"	LOW PRES R/V		HI PRES R/V			MEDIUM DUTY AND HEAVY DUTY				HEAVY DUTY ONLY			
							50	75	100	150	200	25	50	75	100	150	200	300	400			
85	350	STD	28	1.3	.05	.02	.01	-	-	54	81	117	171		78	74	72	70				
			32		.06	.02	.01	-	-						1.3	3.1	4.1	5.2				
			38	1.3	.06	.03	.01	-	-	55	82	118	172		79	75	74	72	70			
			50		.07	.03	.01	-	-						2.1	3.1	4.8	6.1	7.9			
			70	1.3	.08	.04	.01	-	-	58	85	119	173	227	80	78	77	76	74	73		
			100		.09	.04	.01	-	-						2.8	3.8	5.3	6.6	8.6	11		
			150	1.3	.11	.05	.02	-	-						82	80	79	79	78	78	77	76
			200		.12	.05	.02	-	-	61	87	121	174	228	3.3	4.1	5.8	6.9	9.1	12	17	22
			300	1.3	.13	.04	.02	.01	-						83	82	81	81	80	80	80	79
			500		.14	.07	.03	.01	-	65	90	123	176	230	3.4	4.2	5.9	7.1	9.3	12	17	22
		750	1.4	.21	.10	.04	.01	-						84	83	83	82	82	82	82	81	
		1,000		.27	.13	.06	.02	-	67	93	124	177	231	3.4	4.3	6.0	7.2	9.4	12	17	22	
		2,000	1.6	.55	.27	.11	.04	.01						83	82	82	81	81	80	80	79	
		3,500		.96	.47	.20	.07	.01	73	97	127	179	233	3.6	5.1	6.2	7.9	9.8	12	17	22	
		5,000	1.8	1.37	.67	.28	.10	.02						83	83	83	82	82	81	80	80	
		7,500		2.05	1.01	.42	.14	.03	75	100	128	181	235	4.6	5.8	7.1	9.1	11	13	19	23	
		10,000	2.2	2.74	1.35	.56	.19	.04						83	83	82	82	82	82	81	81	
		15,000		4.11	2.02	.85	.29	.06	78	102	130	182	236	5.6	7.1	8.2	10	12	14	20	25	
		20,000	2.6	5.48	2.69	1.13	.38	.07						84	83	83	83	83	82	82	82	
		25,000		6.85	3.36	1.41	.48	.09	80	104	131	183	237	6.8	8.1	9.5	11	13	16	21	26	
50,000	4.1	13.7	6.73	2.82	.95	.18						84	83	83	83	83	82	82	82			
75,000		20.6	10.0	4.23	1.43	.28	85	108	133	185	239	10	12	14	15	17	19	25	30			
100,000	5.6	27.4	13.5	5.64	1.90	.37						84	83	83	83	83	82	82	82			
150,000		41.0	20.2	8.47	2.86	.55	87	110	134	186	240	13	15	17	18	22	24	30	35			
200,000	7.5	54.8	27.0	11.3	3.81	.74						84	83	83	83	83	82	82	82			
250,000		68.5	33.7	14.1	4.76	.92	89	112	135	187	241	15	17	19	20	26	27	33	39			

(NOTE) For speeds not shown on the pump hydraulic charts, consult factory.