

**PUMP MODEL
RS2A32-BAR**

**MANUAL
PART 2 of 3**

**PARTS
LIST**

**WITH
PERFORMANCE CURVE**

THE GORMAN-RUPP COMPANY • MANSFIELD, OHIO

GORMAN-RUPP OF CANADA LIMITED • ST. THOMAS, ONTARIO, CANADA Printed In U.S.A.

©Copyright by the Gorman-Rupp Company

PERFORMANCE CURVE – SECTION A

RECORDING MODEL AND SERIAL NUMBERS

Please record the pump model and serial number in the spaces provided below and in the separate Installation/Operation Manual accompanying your pump. Your Gorman-Rupp distributor needs this information when you require parts or service.

Pump Model: _____

Serial Number: _____

WARRANTY INFORMATION

The pump warranty is provided as part of Gorman-Rupp's support program for customers who operate and maintain their equipment as described in this manual and other accompanying literature. Please note that should the equipment be abused or modified to change its performance beyond the original factory specifications, the warranty will become void and any claim will be denied.

PERFORMANCE CURVES

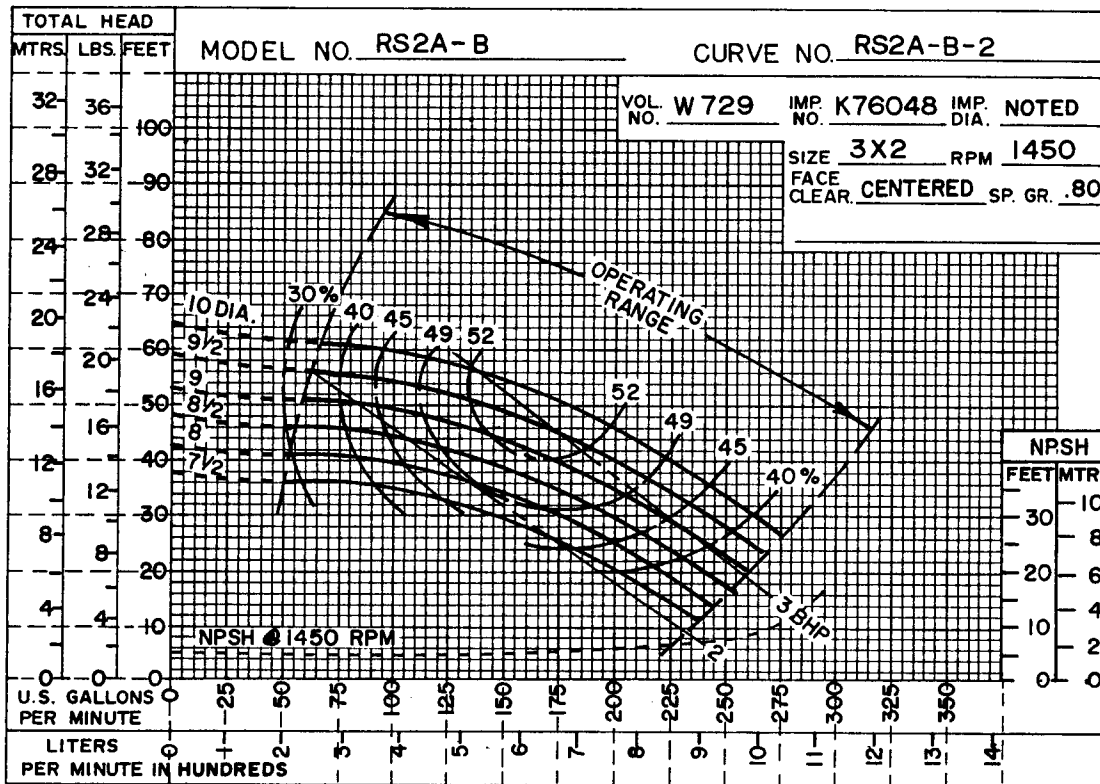
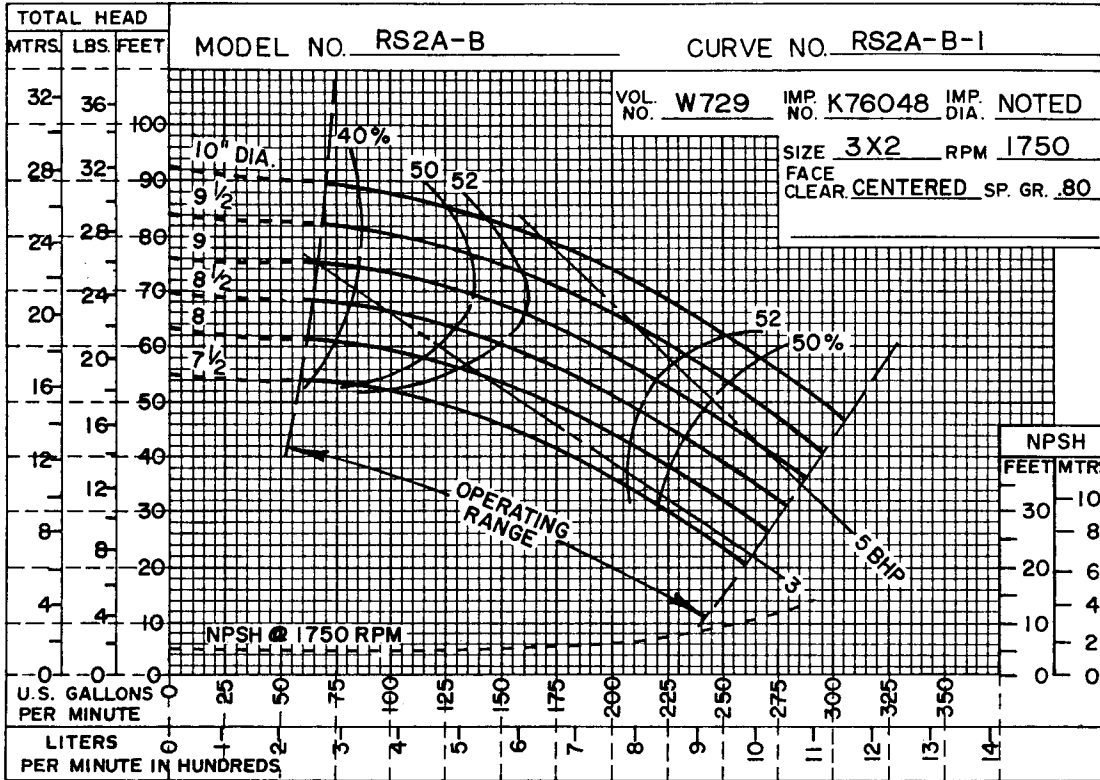
The performance curves on the following page are based on 70° F (21° C) clear water at sea level, corrected to 0.80 specific gravity, with minimum suction lift. Since pump installations are seldom identical, your performance may be different due to such factors as viscosity, specific gravity, elevation, temperature, and impeller trim.

If your pump serial number is followed by an "N", your pump is **NOT** a standard production model. Contact the Gorman-Rupp Company to verify performance or part numbers.

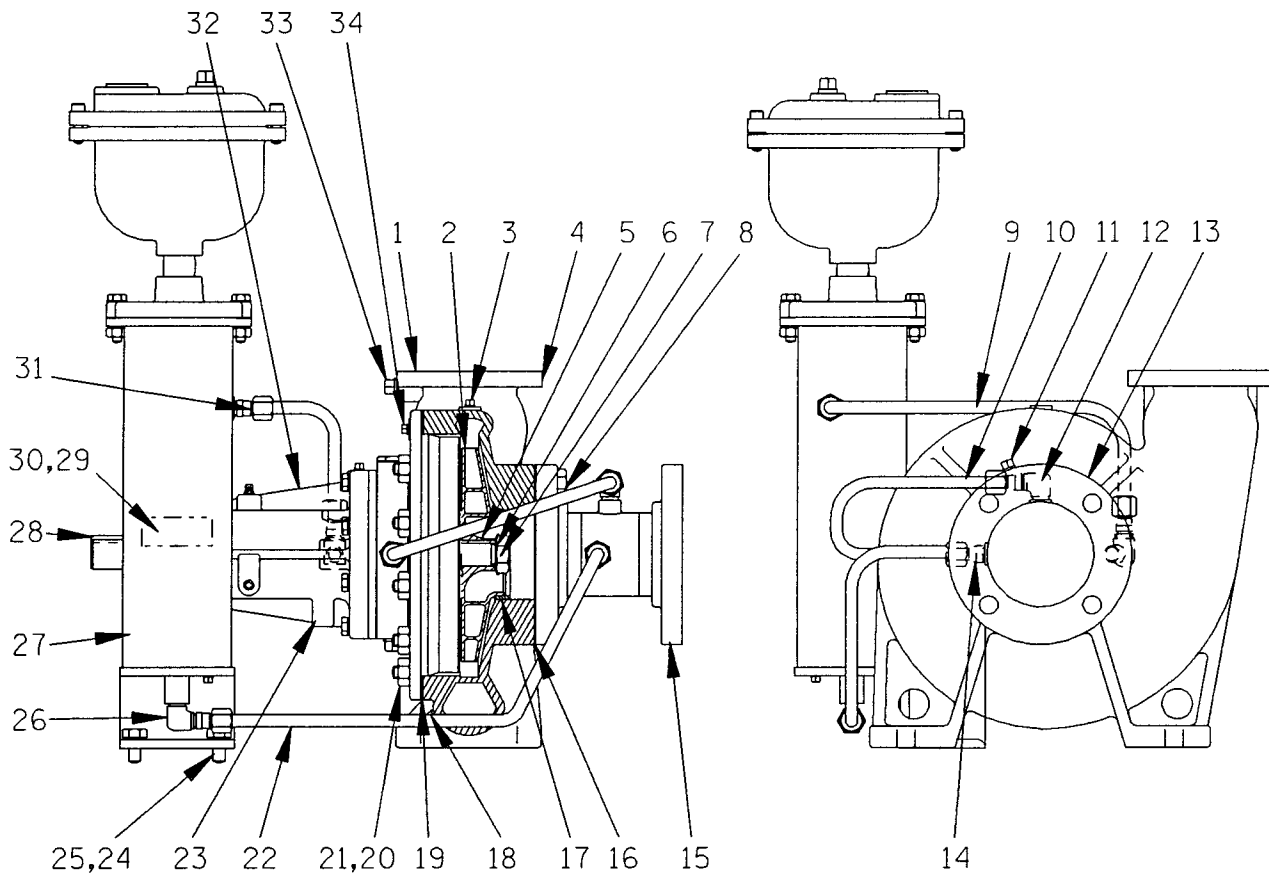


Pump speed and operating condition points must be within the continuous performance range shown on the curve(s).

This Page Intentionally Blank



PERFORMANCE CURVE - MODEL RS2A32-BAR



**S/N 1062035 Up
PUMP ISSUE 2**

**PARTS LIST
Pump Model RS2A32-BAR**

If your pump serial number is followed by an "N", your pump is **NOT** a standard production model. Contact the Gorman-Rupp Company to verify part numbers.

ITEM NO.	PART NAME	PART NUMBER	MAT'L CODE	QTY	ITEM NO.	PART NAME	PART NUMBER	MAT'L CODE	QTY
1	PUMP CASING	W0729	10140	1	23	BEARING HOUSING ASSY	44143-112	-----	1
2 *	IMPELLER	K76048	13040	1	24	HEX HD CAPSCREW	B0805	15991	2
3	PIPE PLUG	P02	15079	1	25	LOCKWASHER	J08	15991	2
4	DISCHARGE STICKER	6588BJ	-----	1	26	90° MALE ELBOW	25812-011	-----	1
5 *	IMPELLER KEY	K79328-23	15990	1	27 ●	AIR RELEASE VALVE	GRP33-06B	-----	1
6	LOCKWASHER	23962-506	-----	1	28 *	SHAFT KEY	N0406	15990	1
7 *	IMPELLER NUT	K75775	15111	1	29	NAME PLATE	2613DZ	13990	1
8	HEX HD CAPSCREW	B1007	15991	4	30	DRIVE SCREW	BM#04-03	15990	2
9	RETURN TUBE ASSY	46335-053	-----	1	31	CONNECTOR	25812-214	-----	1
10	SUCTION TUBE ASSY	46335-051	-----	1	32	LUBE DECAL	38816-081	-----	1
11	PIPE PLUG	P02	15079	1	33	PIPE PLUG	P06	15079	1
12	90° MALE ELBOW	25812-011	-----	1	34	PIPE PLUG	P02	15079	1
13	SUCTION STICKER	6588AG	-----	1	NOT SHOWN:				
14	CONNECTOR	25812-214	-----	1	*	DISCH CHK VALVE GSKT	11589GA	18000	1
15	SUCTION SPOOL ASSY	R12063	17040	1	*	DISCH FLANGE GASKET	N14226	18000	1
16 *	SUCT SPOOL GASKET	38681-818	19370	1		INSTRUCTION TAG	38817-011	-----	1
17	WEAR RING	NOT AVAILABLE		2		BEARING TAG	6588ABB	-----	1
18	PIPE PLUG	P02	15079	1		ROTATION DECAL	2613M	-----	1
19 *	BODY GASKET	R08108	20000	1	OPTIONAL:				
20	STUD	C0606	15991	12		COMPANION FLANGES (SUCTION AND DISCHARGE)			
21	HEX NUT	D06	15991	12	-	COMPANION FLG KIT	K33849	-----	1
22	DISCH TUBE ASSY	46335-052	-----	1		BRONZE IMPELLER	K76048	14150	1

* INDICATES PARTS RECOMMENDED FOR STOCK

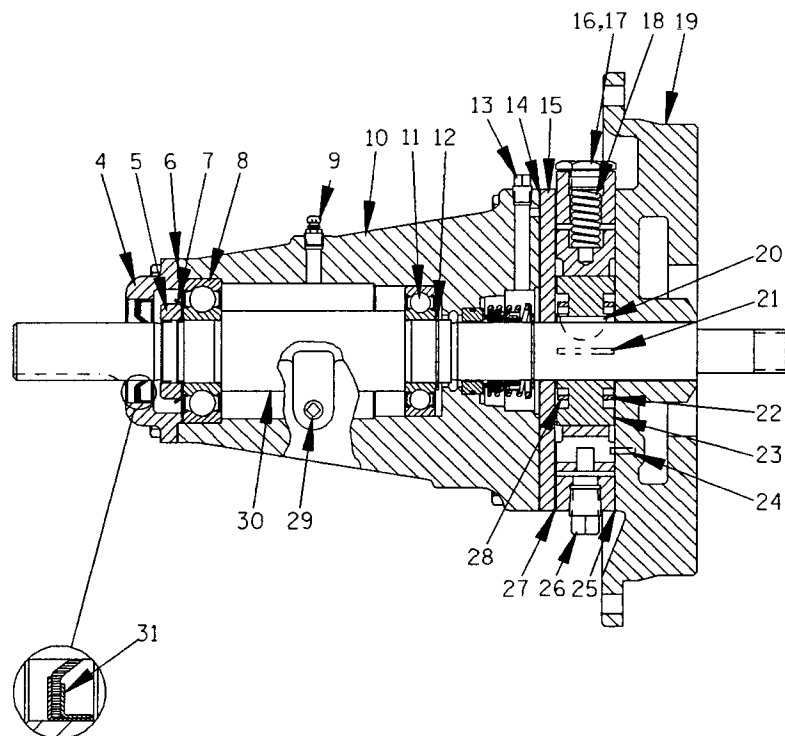
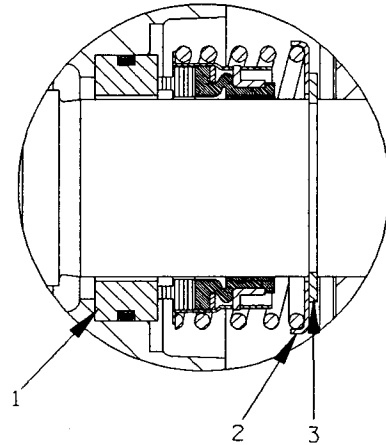
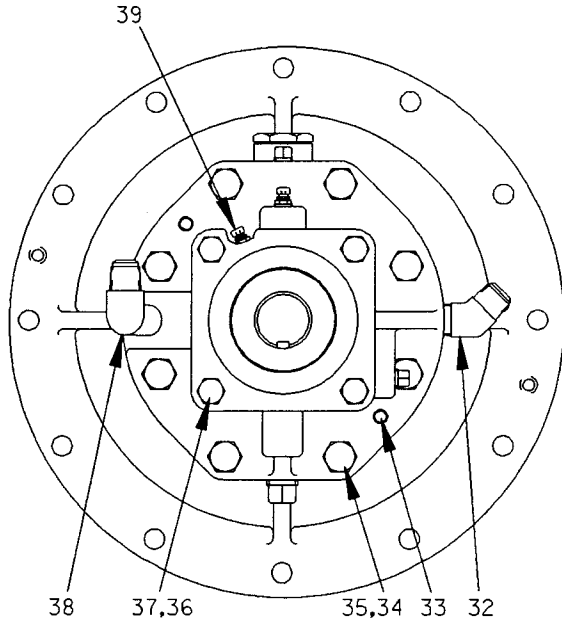
Above Serial Numbers Do Not Apply To Pumps Made In Canada.

CANADIAN SERIAL NO. AND UP

† ALL ROTO-PRIME® IMPELLERS ARE TRIMMED AND INCLUDE WEAR RINGS AND GROOVE PINS. WEAR RINGS ARE NOT SOLD SEPARATELY.

● SEE ACCOMPANYING LITERATURE FOR INDIVIDUAL PARTS, MAINTENANCE AND REPAIR.

SEAL AREA DETAIL



S/N 1062035 Up
PUMP ISSUE 2

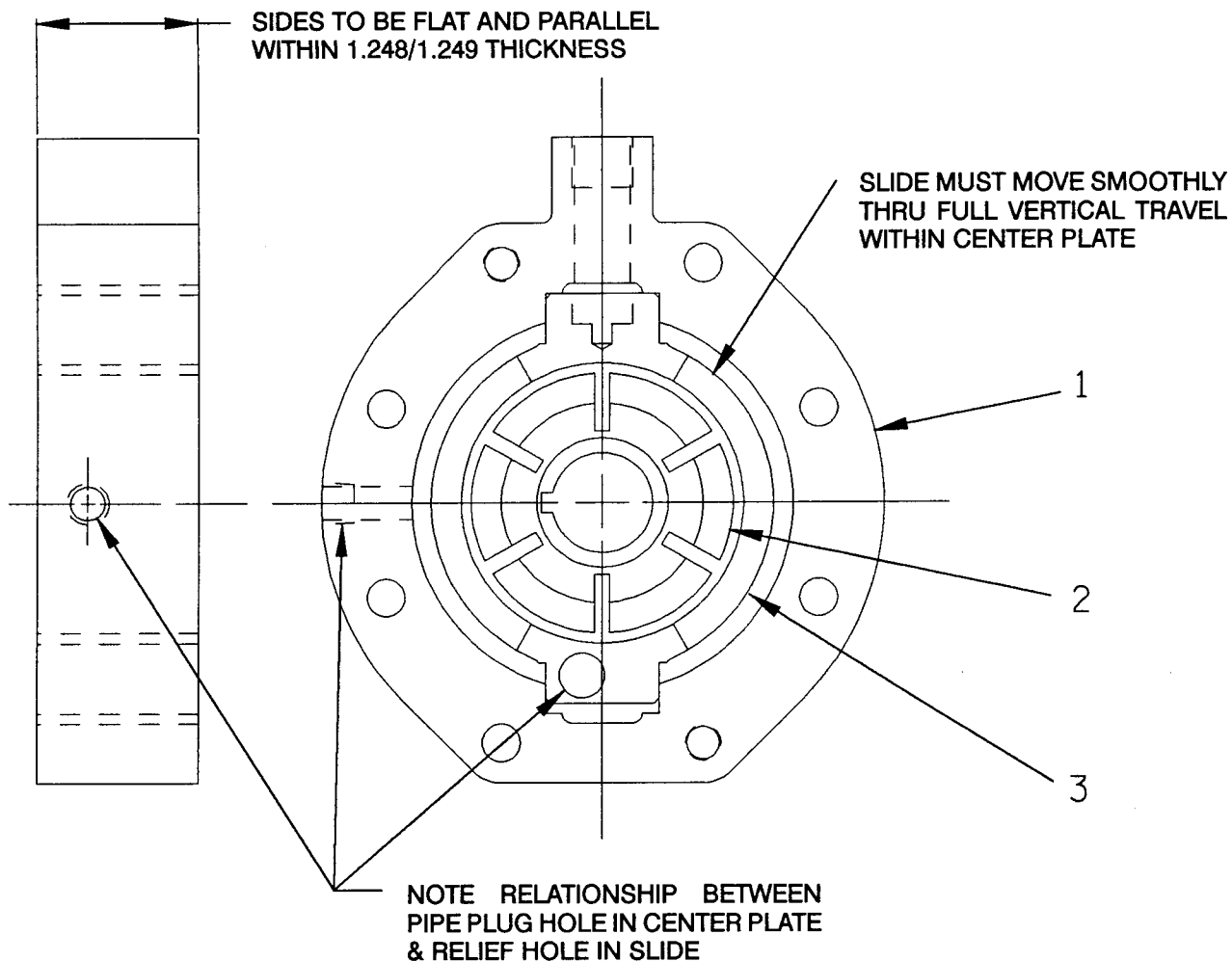
PARTS LIST
44143-112 Bearing Housing Assembly

ITEM NO.	PART NAME	PART NUMBER	MAT'L CODE	QTY	ITEM NO.	PART NAME	PART NUMBER	MAT'L CODE	QTY
1 *	SEAL ASSEMBLY	25271-192	-----	1	26	PIPE PLUG	P06	15079	1
2 *	SPRING CTR WASHER	25273-266	-----	1	27 *	CENTER PLATE GASKET	N14145	18010	1
3	SEAL RETAINING RING	S700	-----	1	28	ROTOR BLADE SPACER	K74031	15030	1
4	BEARING CAP	N14130	10010	1	29	PIPE PLUG	P02	15079	1
5	BEARING LOCK NUT	S301	-----	1	30 *	IMPELLER SHAFT	R09454	15010	1
6 *	BEARING CAP GASKET	K74033	18000	1	31 *	OIL SEAL	25227-230	-----	1
7	TAB WASHER	S302	-----	1	32	CONNECTOR	25812-161	-----	1
8 *	OUTBOARD BEARING	23282-008	-----	1	33	DOWEL PIN	21133-073	-----	2
9	AIR VENT	S2162	-----	1	34	HEX HD CAPSCREW	21632-611	-----	8
10	BEARING HOUSING	T02990	11010	1	35	LOCKWASHER	J06	15991	8
11 *	INBOARD BEARING	23257-012	-----	1	36	HEX HD CAPSCREW	B0504	15991	4
12	BEARING RET RING	S248	-----	1	37	LOCKWASHER	J05	15991	4
13	PIPE PLUG	P02	15079	1	38	MALE ELBOW	25812-011	-----	1
14 *	SPACER PLATE GASKET	N14144	18000	1	39	AIR VENT	S2162	-----	1
15	SPACER PLATE	N14129	11010	1		OPTIONAL:			
16	PRESS REG SPRING CAP	K68064	15991	1		SST IMPELLER SHAFT	R09454	17080	1
17 *	SPRING CAP GASKET	K86067	-----	1		TEFLON SEAL ASSY	25271-743	-----	1
18 *	PRESS REG SPRING	K76301	-----	1		● OIL LUBE BEARING	44143-113	-----	1
19	BODY COVER	T03532A	10140	1		HOUSING ASSEMBLY			
20 *	ROTOR WOODRUFF KEY	K61559	15990	1		-INBOARD BEARING	S310	-----	1
21 *	ROTOR BLADE	K79300-20	-----	6		-OUTBOARD BEARING	23275-008	-----	1
22	ROTOR BLADE SPACER	K74031	15030	1		-OIL CUP	26713-051	-----	1
23	GROUP GRIND	LK05296	-----	1		GROUP GRIND WITH C.I. ROTOR			
24 *	LOCATING PIN	21154-666	-----	1		-C.I. GROUP GRIND	LK05266	-----	1
25 †	CENTER PLATE GASKET	N14145	18010	2					

* INDICATES PARTS RECOMMENDED FOR STOCK

† 2 GASKETS REQUIRED WHEN ROTOR OR SLIDE IS THICKER THAN CENTER PLATE.

● ALL OTHER COMPONENTS SAME AS STANDARD BEARING HOUSING ASSEMBLY.



PARTS LIST
LK05296 Group Grind

ITEM NO.	PART NAME	PART NUMBER	MAT'L CODE	QTY
1	CENTER PLATE	NOT AVAILABLE	----	1
2	ROTOR	NOT AVAILABLE	----	1
3	SLIDE	NOT AVAILABLE	----	1

NOTE: THE GROUP GRIND MUST BE REPLACED AS A COMPLETE UNIT: INDIVIDUAL PIECE PARTS ARE NOT SOLD SEPARATELY.

THE GORMAN-RUPP COMPANY • MANSFIELD, OHIO

GORMAN-RUPP OF CANADA LIMITED • ST. THOMAS, ONTARIO, CANADA

Printed in U.S.A.

**For U.S. and International Warranty Information,
Please Visit www.grpumps.com/warranty
or call:
U.S.: 419-755-1280
International: +1-419-755-1352**

**For Canadian Warranty Information,
Please Visit www.grcanada.com/warranty
or call:
519-631-2870**