

Use With: OM-03989
MR-03991

PUBLICATION NUMBER
PL-03999-03
June 16, 1999
Rev. C 11-6-2023



PUMP MODEL RS3A32-B

**MANUAL
PART 2 of 3**

**PARTS
LIST**

**WITH
PERFORMANCE CURVE**

THE GORMAN-RUPP COMPANY • MANSFIELD, OHIO

www.grpumps.com

GORMAN-RUPP OF CANADA LIMITED • ST. THOMAS, ONTARIO, CANADA

Printed in U.S.A.

© Copyright by the Gorman-Rupp Company

Register your new
Gorman-Rupp pump online at
www.grpumps.com

Valid serial number and e-mail address required.

RECORD YOUR PUMP MODEL AND SERIAL NUMBER

Please record your pump model and serial number in the spaces provided below. Your Gorman-Rupp distributor needs this information when you require parts or service.

Pump Model: _____
Serial Number: _____

PERFORMANCE CURVE – SECTION A

RECORDING MODEL AND SERIAL NUMBERS

Please record the pump model and serial number in the spaces provided below and in the separate Installation/Operation Manual accompanying your pump. Your Gorman-Rupp distributor needs this information when you require parts or service.

Pump Model: _____

Serial Number: _____

WARRANTY INFORMATION

The pump warranty is provided as part of Gorman-Rupp's support program for customers who operate and maintain their equipment as described in this manual and other accompanying literature. Please note that should the equipment be abused or modified to change its performance beyond the original factory specifications, the warranty will become void and any claim will be denied.

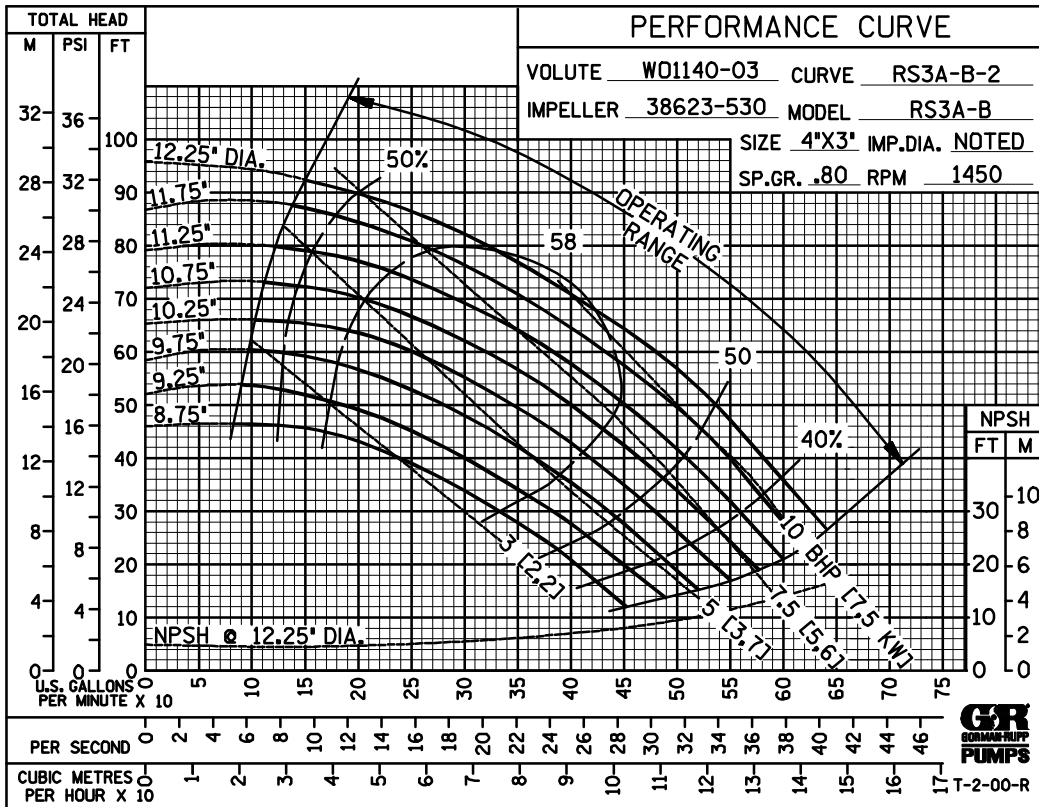
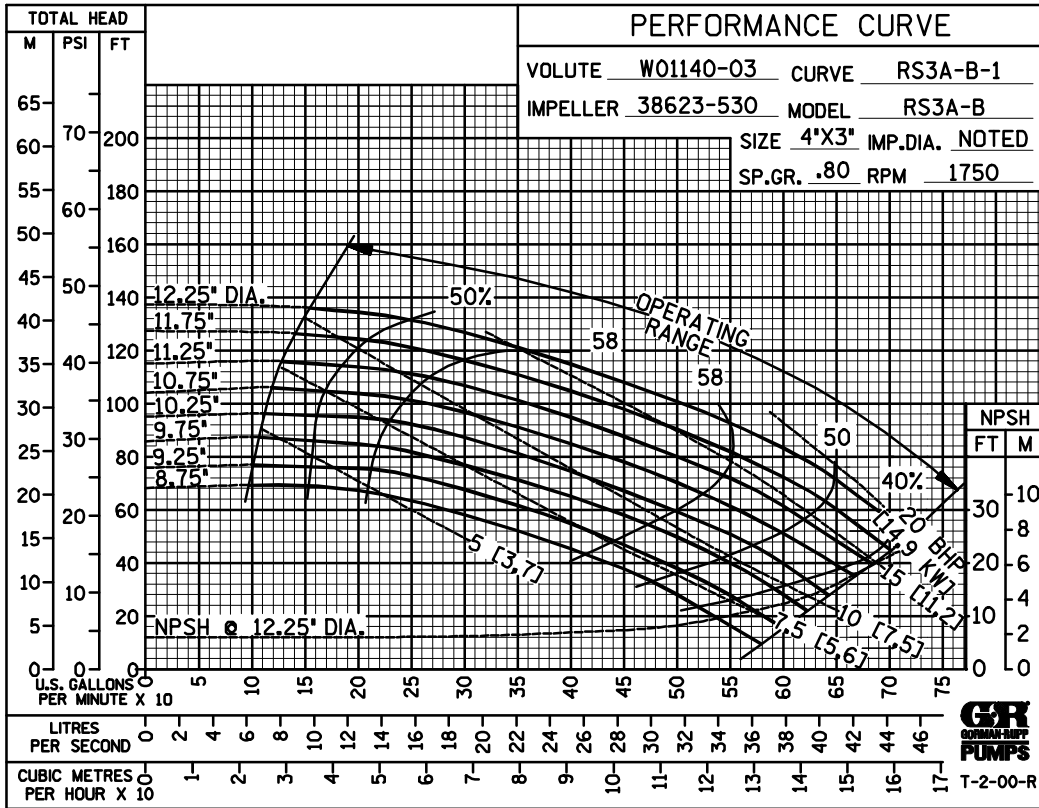
PERFORMANCE CURVES

The performance curves on the following page are based on 70° F (21° C) clear water at sea level, corrected to 0.80 specific gravity, with minimum suction lift. Since pump installations are seldom identical, your performance may be different due to such factors as viscosity, specific gravity, elevation, temperature, and impeller trim.

If your pump serial number is followed by an "N", your pump is **NOT** a standard production model. Contact the Gorman-Rupp Company to verify performance or part numbers.

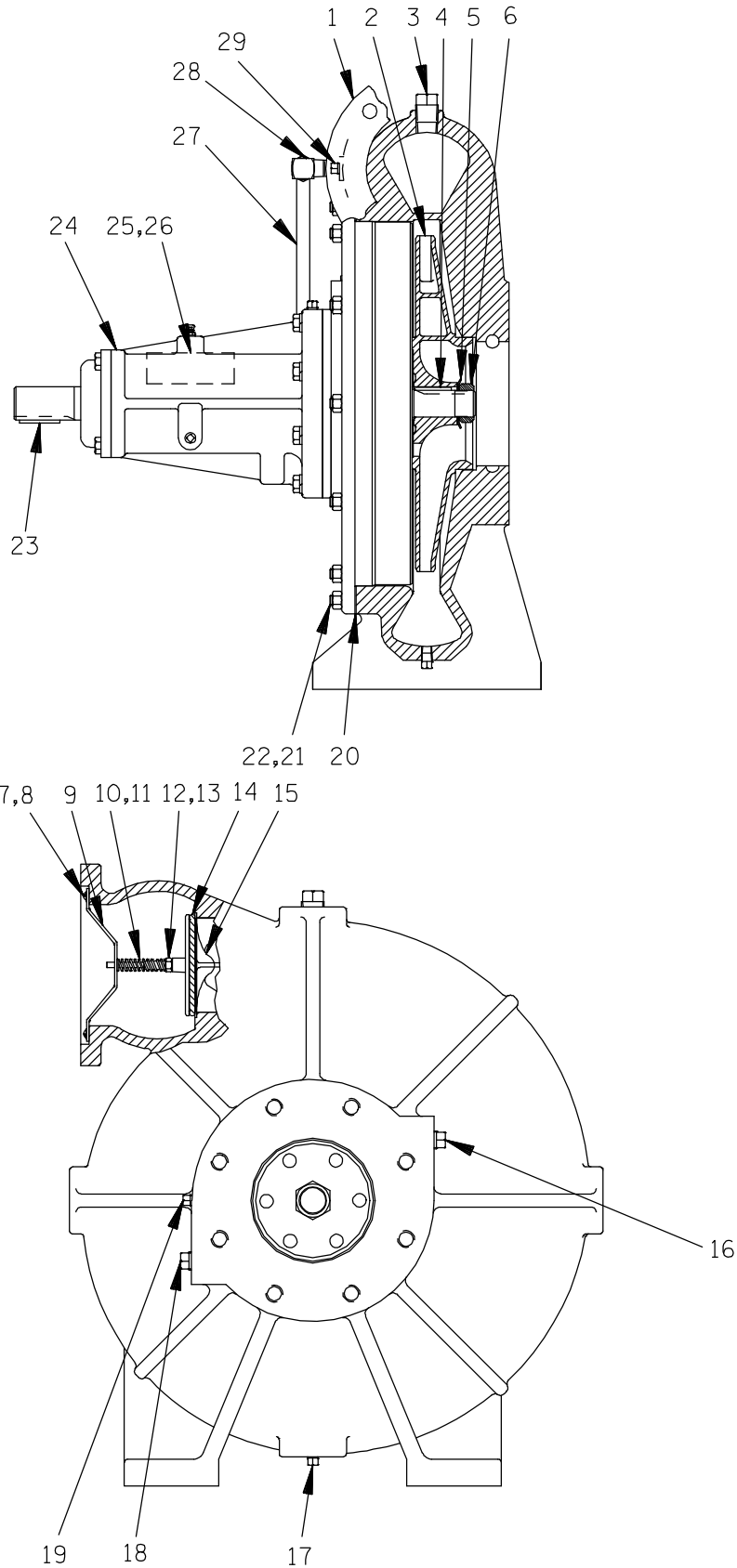


Pump speed and operating condition points must be within the continuous performance range shown on the curve(s).



Performance Curve – Model RS3A32-B

This Page Intentionally Blank



THE GORMAN-RUPP COMPANY • MANSFIELD, OHIO

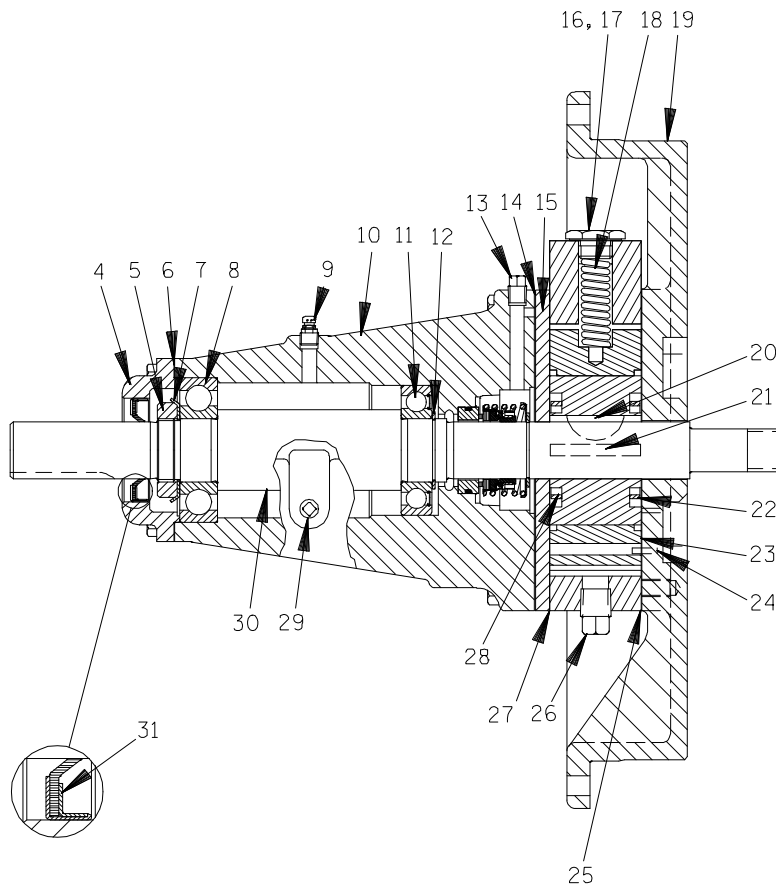
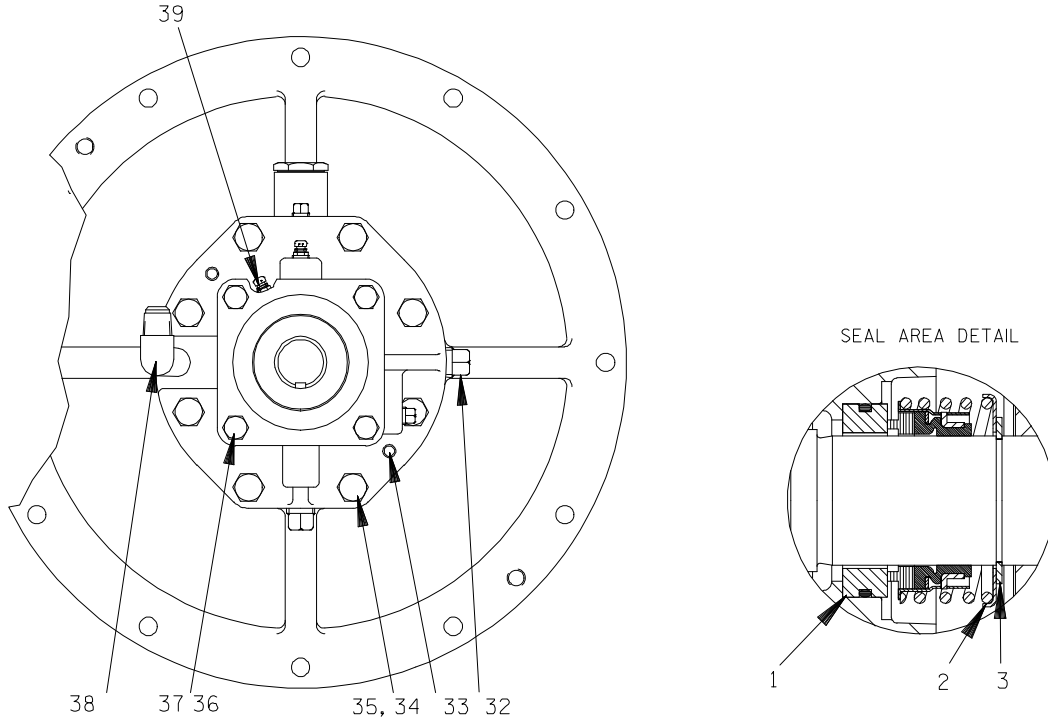
**PARTS LIST
Pump Model RS3A32—B**

If your pump serial number is followed by an "N", your pump is **NOT** a standard production model. Contact the Gorman-Rupp Company to verify part numbers.

ITEM NO.	PART NAME	PART NUMBER	MAT'L CODE	QTY	ITEM NO.	PART NAME	PART NUMBER	MAT'L CODE	QTY
1	PUMP CASING	W01140-03	10140	1	22	HEX NUT	D06	15991	12
2 *	IMPELLER	38623-530	13048	1	23 *	SHAFT KEY	N0406	15990	1
3	PIPE PLUG	P08	15079	1	24	BRG HOUSING ASSY	R12051-10	----	1
4 *	IMPELLER KEY	N0403	15990	1	25	NAME PLATE	2613DZ	13990	1
5	BRG LOCKWASHER	23962-506	----	1	26	DRIVE SCREW	BM#04-03	17000	2
6	IMPELLER NUT	K75776	15111	1	27	PRIMING TUBE ASSY	46335-060	----	1
7	SCREW	CM0401-1/2	15991	2	28	MALE ELBOW	25812-011	----	1
8	T-TYPE LOCKWASHER	AL04	17170	2	29	PIPE PLUG	P02	15079	1
9	CHECK VALVE GUIDE	K74025	15991	1	NOT SHOWN:				
10	CHECK VALVE SPRING	K74062	----	1	* SUCT FLANGE GASKET	N14147	19060	19060	1
11	CHECK VALVE STEM	K74008	15991	1	* DISCH FLANGE GASKET	11589GA	19060	19060	1
12	HEX NUT	D04	15991	1	SUCTION STICKER	6588AG	----	----	1
13	T-TYPE LOCKWASHER	AL04	17170	1	LUBE DECAL	38816-081	----	----	1
14 *	CHECK VALVE O-RING	25152-335	----	1	INSTRUCTION TAG	38817-011	----	----	1
15	DISCH VALVE	38345-628	13047	1	DISCHARGE STICKER	6588BJ	----	----	1
16	PIPE PLUG	P06	15079	1	G-R DECAL	GR-03	----	----	1
17	PIPE PLUG	P02	15079	1	ROTATION DECAL	2613M	----	----	1
18	PIPE PLUG	P06	15079	1	BEARING TAG6588ABB	----	1	1	1
19	PIPE PLUG	P02	15079	1	OPTIONAL:				
20 *	PUMP CASING GASKET	N14146	19060	1	COMPANION FLG KIT	K33850	----	----	1
21	STUD	C0606	15991	12					

* INDICATES PARTS RECOMMENDED FOR STOCK

† ALL ROTO-PRIME[®] IMPELLERS ARE TRIMMED.



THE GORMAN-RUPP COMPANY • MANSFIELD, OHIO

PARTS LIST
R12051—10 Bearing Housing Assembly

ITEM NO.	PART NAME	PART NUMBER	MAT'L CODE	QTY	ITEM NO.	PART NAME	PART NUMBER	MAT'L CODE	QTY
1 *	SEAL ASSEMBLY	25271—192	----	1	27 *	CENTER PLATE GASKET	N14145	18010	1
2	SPRING HOLDER	25273—266	----	1	28	ROTOR BLADE SPACER	K74031	15030	1
3	SEAL SNAP RING	S700	----	1	29	PIPE PLUG	P02	15079	1
4	BEARING CAP	N14130	10010	1	30 *	IMPELLER SHAFT	R10123	15010	1
5	BEARING LOCK NUT	S301	----	1	31 *	OIL SEAL	25227—230	----	1
6 *	BEARING CAP GASKET	K74033	18000	1	32	PIPE PLUG	P06	15079	1
7	TAB WASHER	S302	----	1	33	DOWEL PIN	21133—076	----	2
8 *	OUTBOARD BEARING	23282—008	----	1	34	HEX HD CAPSCREW	B0615	15991	8
9	AIR VENT	S2162	----	1	35	LOCKWASHER	J06	15991	8
10	BEARING HOUSING	T02990	11010	1	36	HEX HD CAPSCREW	B0504	15991	4
11 *	BALL BEARING	23257—012	----	1	37	LOCKWASHER	J05	15991	4
12	BEARING RET RING	S248	----	1	38	MALE ELBOW	25812—011	----	1
13	PIPE PLUG	P02	15079	1	39	AIR VENT	S2162	----	1
14 *	SPACER PLATE GASKET	N14144	18000	1		NOT SHOWN:			
15	SPACER PLATE	N14129	11010	1		PRESS REG SPRING	K74120	----	1
16	PRESS REG SPRING CAP	K68064	15991	1		OPTIONAL:			
17 *	SPRING CAP GASKET	K86067	----	1	**	PRES REG SPRING	K74120	----	1
18 *	PRESS REG SPRING	K74119	----	1		416 SST IMP SHAFT	R10769	17080	1
19	BODY COVER	T02985A—01	10140	1		TEFLON SEAL ASSY	25271—743	----	1
20 *	ROTOR WOODRUFF KEY	K74041	15990	1		● OIL LUBE BEARING	44143—102	----	1
21 *	ROTOR BLADE	K79300—21	----	6		HOUSING ASSEMBLY			
22	ROTOR BLADE SPACER	K74031	15030	1		--INBOARD BEARING	S310	----	1
23	GROUP GRIND	LK05293	----	1		--OUTBOARD BEARING	23275—008	----	1
24 *	LOCATING PIN	21154—666	----	1		--OIL CUP	26713—051	----	1
25 †	CENTER PLATE GASKET	N14145	18010	2					
26	PIPE PLUG	P06	15079	1					

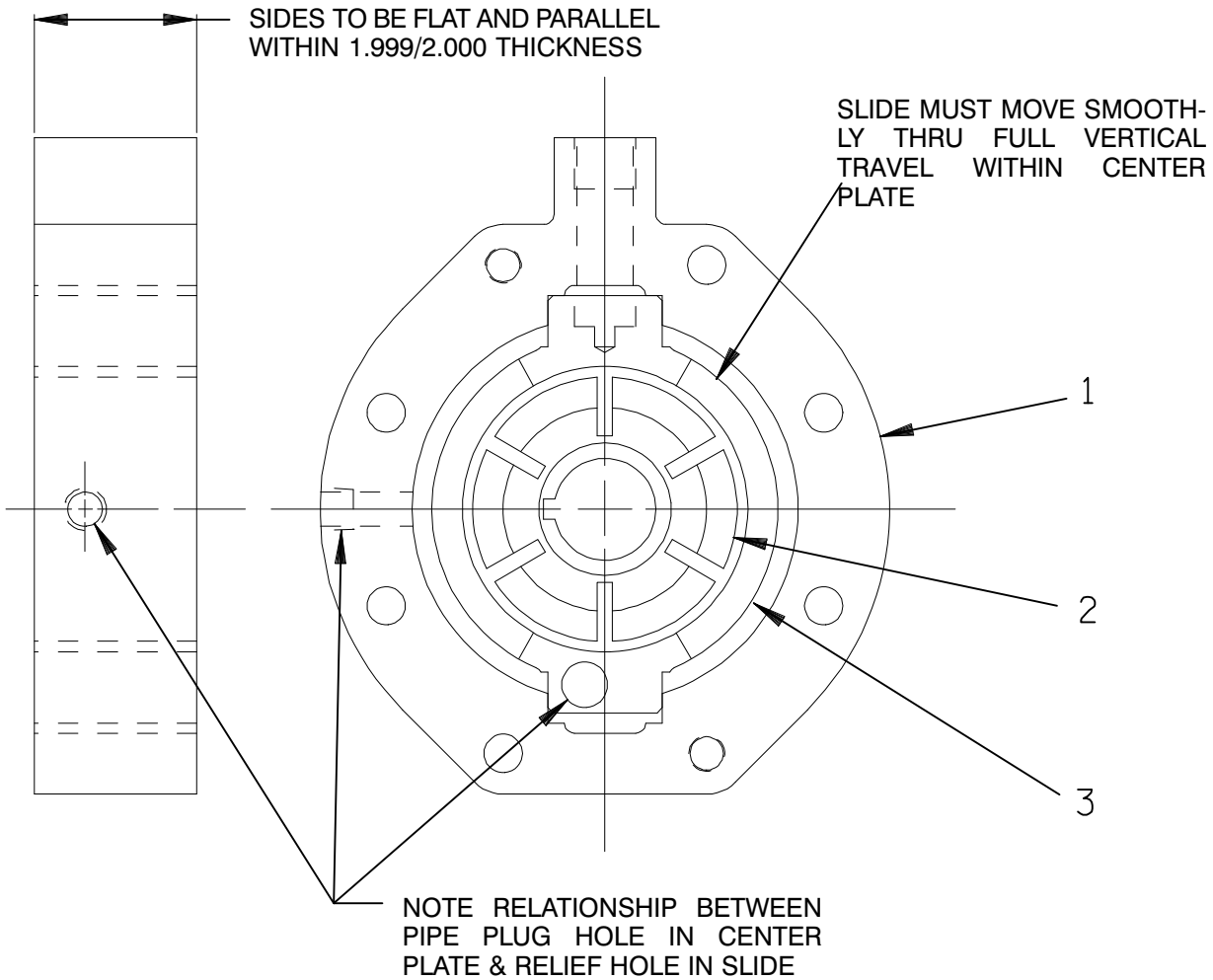
* INDICATES PARTS RECOMMENDED FOR STOCK

† 2 GASKETS REQUIRED WHEN ROTOR OR SLIDE IS THICKER THAN CENTER PLATE.

● ALL OTHER COMPONENTS SAME AS STANDARD BEARING HOUSING ASSEMBLY.

** USE IN PLACE OF K74119 (ITEM 18) WITH IMPELLERS 10 1/2 INCHES OR LARGER IN DIAMETER.

THE GORMAN-RUPP COMPANY ● MANSFIELD, OHIO



PARTS LIST
LK05293 Group Grind

ITEM NO.	PART NAME	PART NUMBER	MAT'L CODE	QTY
1	CENTER PLATE	NOT AVAILABLE	---	1
2	ROTOR	NOT AVAILABLE	---	1
3	SLIDE	NOT AVAILABLE	---	1

NOTE: THE GROUP GRIND MUST BE REPLACED AS A COMPLETE UNIT: INDIVIDUAL PIECE PARTS ARE NOT SOLD SEPARATELY.

THE GORMAN-RUPP COMPANY • MANSFIELD, OHIO

**For U.S. and International Warranty Information,
Please Visit www.grpumps.com/warranty
or call:
U.S.: 419-755-1280
International: +1-419-755-1352**

**For Canadian Warranty Information,
Please Visit www.grcanada.com/warranty
or call:
519-631-2870**