



# PUMP MODEL RS5A31-BAR

**MANUAL  
PART 2 of 3**

**PARTS  
LIST  
WITH  
PERFORMANCE CURVE**

**GORMAN-RUPP PUMPS**

[www.grpumps.com](http://www.grpumps.com)

Register your new  
Gorman-Rupp pump online at  
**[www.grpumps.com](http://www.grpumps.com)**

Valid serial number and e-mail address required.

**RECORD YOUR PUMP MODEL AND SERIAL NUMBER**

Please record your pump model and serial number in the spaces provided below. Your Gorman-Rupp distributor needs this information when you require parts or service.

Pump Model: \_\_\_\_\_  
Serial Number: \_\_\_\_\_

## PERFORMANCE CURVE – SECTION A

### RECORDING MODEL AND SERIAL NUMBERS

Please record the pump model and serial number in the spaces provided below and in the separate Installation/Operation Manual accompanying your pump. Your Gorman-Rupp distributor needs this information when you require parts or service.

Pump Model: \_\_\_\_\_

Serial Number: \_\_\_\_\_

### WARRANTY INFORMATION

The pump warranty is provided as part of Gorman-Rupp's support program for customers who operate and maintain their equipment as described in this manual and other accompanying literature. Please note that should the equipment be abused or modified to change its performance beyond the original factory specifications, the warranty will become void and any claim will be denied. For warranty information, please visit [www.grpumps.com/warranty](http://www.grpumps.com/warranty).

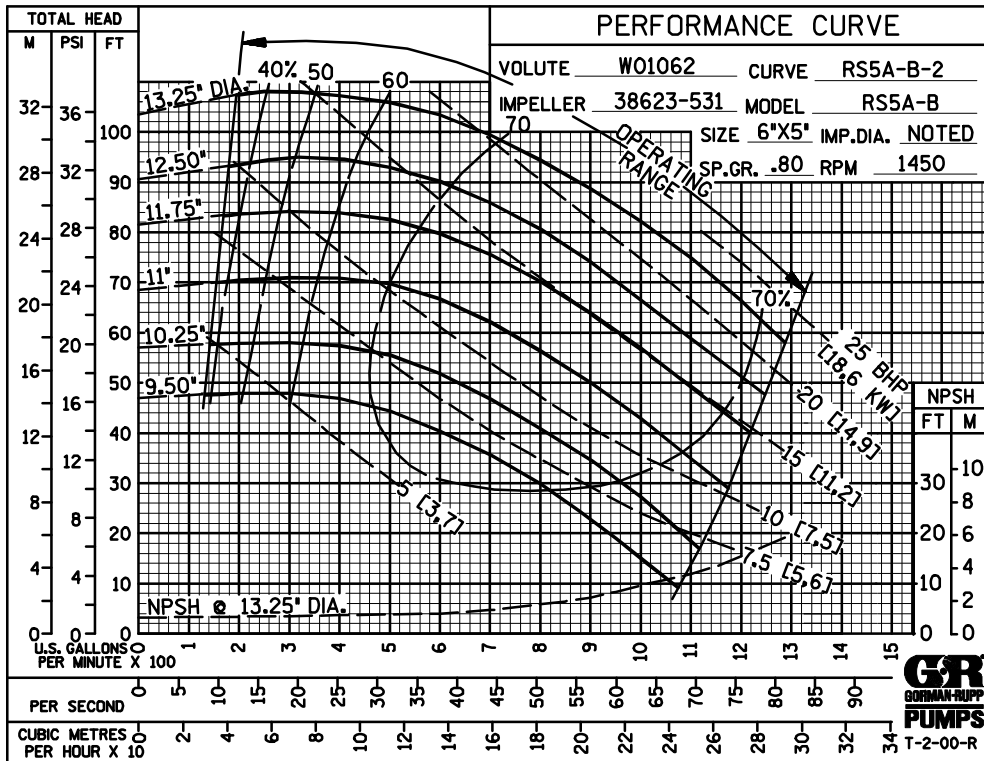
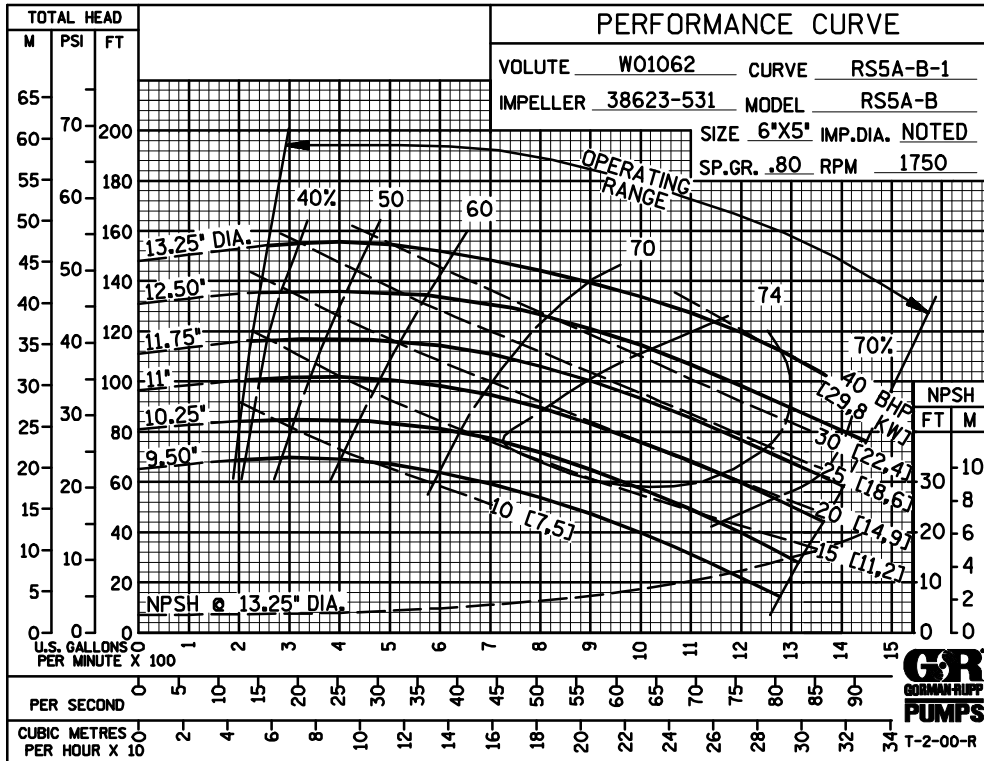
### PERFORMANCE CURVES

The performance curves on the following page are based on 70°F (21°C) clear water at sea level, corrected to 0.80 specific gravity, with minimum suction lift. Since pump installations are seldom identical, your performance may be different due to such factors as viscosity, specific gravity, elevation, temperature, and impeller trim.

If your pump serial number is followed by an "N", your pump is **NOT** a standard production model. Contact the Gorman-Rupp Company to verify performance or part numbers.



Pump speed and operating condition points must be within the continuous performance range shown on the curve(s).

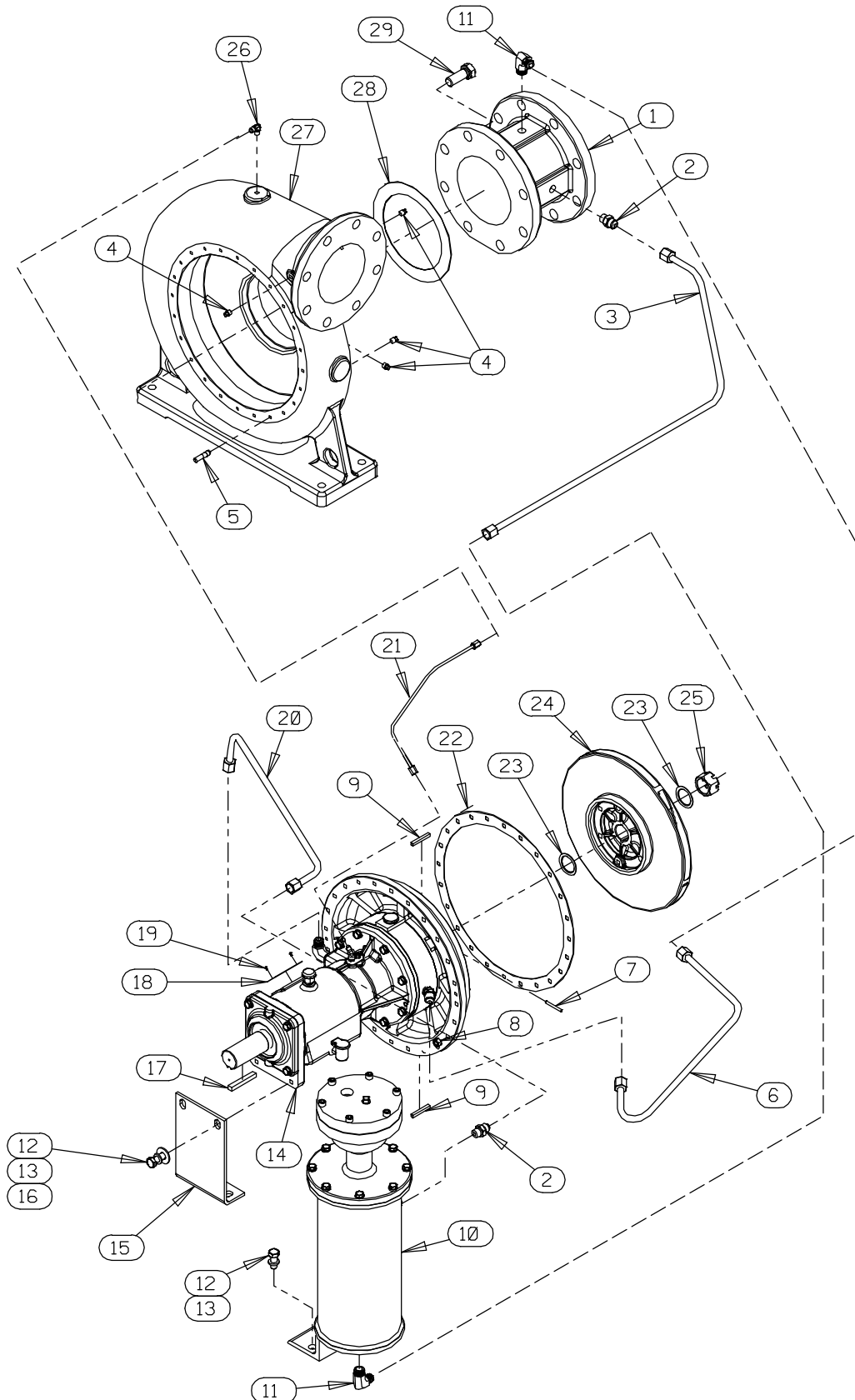


Performance Curve – Model RS5A31 –BAR

**This Page Intentionally Blank**

# RS5A31-BAR

S/N 1602971 Up  
PUMP ISSUE 3



## GORMAN-RUPP PUMPS

[www.grpumps.com](http://www.grpumps.com)

©2015 Gorman-Rupp Pumps

Printed in U.S.A.

# RS5A31—BAR

S/N 1602971 Up  
PUMP ISSUE 3

## PARTS LIST Pump Model RS5A31—BAR

If your pump serial number is followed by an "N", your pump is **NOT** a standard production model. Contact the Gorman-Rupp Company to verify part numbers.

| ITEM NO. | PART NAME            | PART NUMBER     | QTY | ITEM NO.   | PART NAME             | PART NUMBER     | QTY |
|----------|----------------------|-----------------|-----|------------|-----------------------|-----------------|-----|
| 1        | SUCTION FLANGE       | 11402F 10140    | 1   | 23         | IMPELLER WASHER       | K76643 15991    | 2   |
| 2        | CONNECTOR            | 25812-214       | 2   | † 24 *     | IMPELLER              | 38623-531 13048 | 1   |
| 3        | RETURN TUBE ASSY     | 46335-078       | 1   | 25         | IMPELLER LOCK NUT     | K88233 15111    | 1   |
| ☞ 4      | PIPE PLUG            | P02 15079       | 4   | 26         | MALE ELBOW            | 25817-032       | 1   |
| ☞ 5      | STUD                 | C0606-1/2 15991 | 24  | ☞ 27       | PUMP CASING           | SEE NOTE BELOW  | 1   |
| 6        | SUCTION TUBE ASSY    | 46335-079       | 1   | 28 *       | RING GASKET           | 38682-208 19370 | 1   |
| 7        | SPIRAL PIN           | 21137-079       | 1   | 29         | HEX HEAD CAP SCREW    | B1208 15991     | 8   |
| 8        | HEX NUT              | D06 15991       | 24  | NOT SHOWN: |                       |                 |     |
| 9 *      | IMPELLER KEY         | K79330 16120    | 2   | *          | DISCH FLANGE GASKET   | 1678G 19060     | 1   |
| 10 ●     | AIR RELEASE VLV ASSY | GRP33-08A       | 1   | *          | SUCT FLANGE GASKET    | 1679G 19370     | 1   |
| 11       | MALE ELBOW           | 25812-011       | 2   |            | ROTATION DECAL        | 2613M           | 1   |
| 12       | HEX HEAD CAP SCREW   | B0805 15991     | 4   |            | INSTRUCTION TAG       | 38817-011       | 1   |
| 13       | LOCK WASHER          | J08 15991       | 4   |            | LUBRICATION DECAL     | 38816-074       | 1   |
| 14       | BEARING HSG ASSY     | 44143-092       | 1   |            | SUCTION STICKER       | 6588AG          | 1   |
| 15       | BEARING HSG SUPPORT  | R12852-02 15990 | 1   |            | DISCHARGE STICKER     | 6588BJ          | 1   |
| 16       | FLAT WASHER          | K08 15991       | 2   |            | G-R DECAL             | GR-03           | 1   |
| 17 *     | DRIVE KEY            | N0611 15990     | 1   | OPTIONAL:  |                       |                 |     |
| 18       | NAMEPLATE            | 2613DZ 13990    | 1   |            | DISCHARGE CHECK VALVE |                 |     |
| 19       | DRIVE SCREW          | BM#04-03 17000  | 2   |            | -CHECK VALVE          | 26642-106       | 1   |
| 20       | DISCHARGE TUBE ASSY. | 46335-099       | 1   |            | -HEX HD CAPSCREW      | B1212 15991     | 8   |
| 21       | SEAL TUBE ASSY       | 46335-065       | 1   |            | -GASKET               | 1678G 19060     | 1   |
| 22 *     | BODY COVER GASKET    | N15237-21 19060 | 1   |            | -HEX NUT              | D12 15991       | 8   |

\* INDICATES PARTS RECOMMENDED FOR STOCK

† ALL ROTO-PRIME<sup>®</sup> IMPELLERS ARE TRIMMED AND INCLUDE WEAR RINGS AND GROOVE PINS.  
WEAR RINGS ARE NOT SOLD SEPARATELY.

● SEE ACCOMPANYING LITERATURE FOR INDIVIDUAL PARTS,  
MAINTENANCE AND REPAIR.

☞ INCLUDED WITH REPAIR 46474-335 1  
PUMP CASING ASSY

## GORMAN-RUPP PUMPS

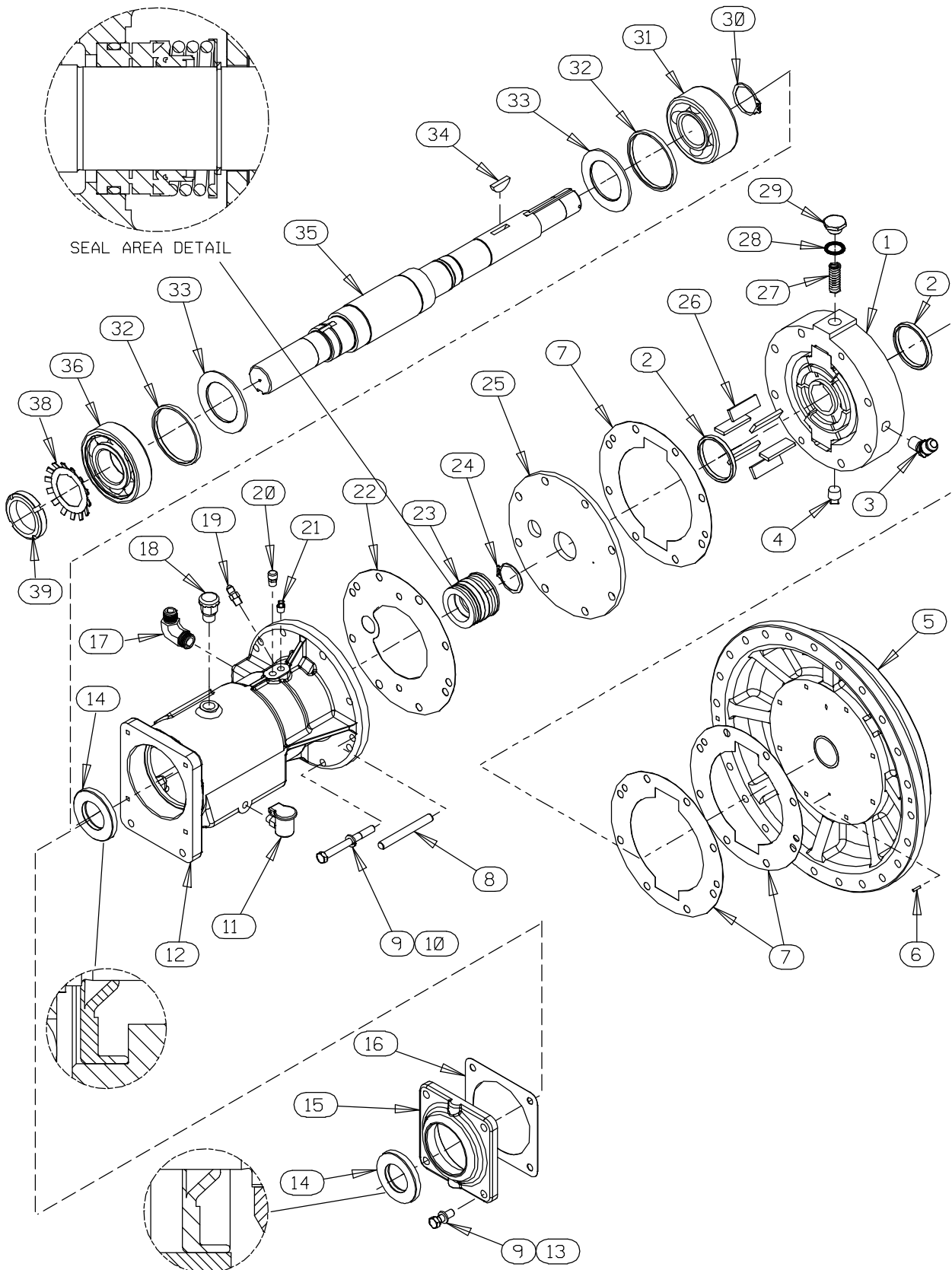
www.grpumps.com

©2015 Gorman-Rupp Pumps

Printed in U.S.A.

# RS5A31-BAR

S/N 1602971 Up  
PUMP ISSUE 3



## GORMAN-RUPP PUMPS

[www.grpumps.com](http://www.grpumps.com)

©2015 Gorman-Rupp Pumps

Printed in U.S.A.



# RS5A31—BAR

S/N 1602971 Up  
PUMP ISSUE 3

## PARTS LIST 44143—092 Bearing Housing Assembly

| ITEM NO. | PART NAME           | PART NUMBER     | QTY | ITEM NO.  | PART NAME          | PART NUMBER     | QTY |
|----------|---------------------|-----------------|-----|-----------|--------------------|-----------------|-----|
| 1        | GROUP GRIND         | 42212—016       | 1   | 23 *      | MECH SEAL          | 25271—921       | 1   |
| 2        | BLADE SPACER        | K76623 15030    | 2   | 24        | SNAP RING          | 24124—243       | 1   |
| 3        | MALE ELBOW          | 25812—161       | 1   | 25        | SPACER PLATE       | R12771—02 11010 | 1   |
| 4        | PIPE PLUG           | P06 15079       | 1   | 26 *      | ROTOR BLADE        | K79300—21       | 6   |
| 5        | BODY COVER          | T03712—20 11010 | 1   | 27        | SPRING             | K76626          | 1   |
| 6 *      | LOCATING PIN        | 21154—666       | 1   | 28 *      | RING GASKET        | K86067          | 1   |
| † 7 *    | CENTER PLATE GASKET | R10150 19210    | 3   | 29        | SPRING CAP         | K68064 15991    | 1   |
| 8        | DOWEL PIN           | 21133—116       | 2   | 30        | SNAP RING          | 24124—245       | 1   |
| 9        | LOCK WASHER         | J06 15991       | 12  | 31 *      | BALL BEARING       | 23421—410       | 1   |
| 10       | HEX HEAD CAP SCREW  | B0615 15991     | 8   | 32        | OIL RING           | K86483 15030    | 2   |
| 11       | OILER               | 26713—054       | 1   | 33        | OIL RING STOP      | K76632—01       | 2   |
| 12       | BEARING HOUSING     | W01172—04 11010 | 1   | 34 *      | WOODRUFF KEY       | K74041 15590    | 1   |
| 13       | HEX HEAD CAP SCREW  | B0605 15991     | 4   | 35 *      | IMPELLER SHAFT     | T08620—02 15010 | 1   |
| 14 *     | OIL SEAL            | 25227—240       | 2   | 36 *      | BALL BEARING       | S1077           | 1   |
| 15       | BEARING HOUSING CAP | R12770—02 10010 | 1   | 38        | BRG LOCK WASHER    | 23962—511       | 1   |
| 16 *     | BEARING CAP GASKET  | N18938—01 18000 | 1   | 39        | BRG LOCK NUT       | 23962—011       | 1   |
| 17       | MALE ELBOW          | 25812—011       | 1   | OPTIONAL: |                    |                 |     |
| 18       | AIR VENT            | S1703           | 1   |           | SST IMPELLER SHAFT | T08620—02 17080 | 1   |
| 19       | MALE CONNECTOR      | 25817—202       | 1   |           | FLUOROCARBON SEAL  | 25271—761       | 1   |
| 20       | AIR VENT            | S2162           | 1   |           | GROUP GRIND WITH   | LK05269         | 1   |
| 21       | PIPE PLUG           | P02 15079       | 1   |           | C.I. ROTOR         |                 |     |
| 22 *     | SPACER PLATE GASKET | R12923 18000    | 1   |           |                    |                 |     |

\* INDICATES PARTS RECOMMENDED FOR STOCK

† 2 GASKETS REQUIRED ON ONE FACE ONLY WHEN ROTOR OR SLIDE IS THICKER THAN CENTER PLATE.

### GORMAN-RUPP PUMPS

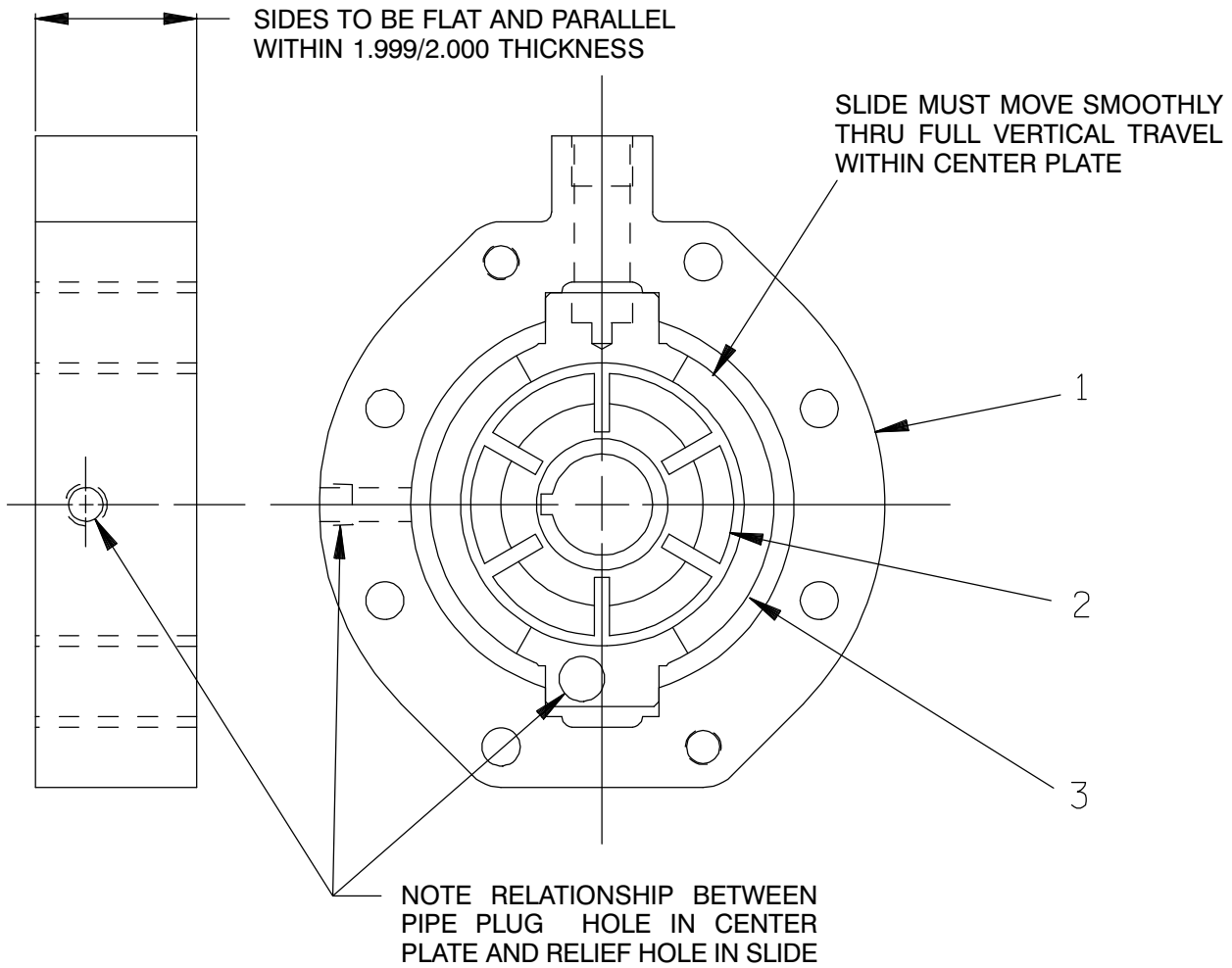
www.grpumps.com

©2015 Gorman-Rupp Pumps

Printed in U.S.A.

# RS5A31-BAR

S/N 1602971 Up  
PUMP ISSUE 3



## PARTS LIST 42212-016 Group Grind

| ITEM NO. | PART NAME    | PART NUMBER   | QTY |
|----------|--------------|---------------|-----|
| 1        | CENTER PLATE | NOT AVAILABLE | 1   |
| 2        | ROTOR        | NOT AVAILABLE | 1   |
| 3        | SLIDE        | NOT AVAILABLE | 1   |

**NOTE:** THE GROUP GRIND MUST BE REPLACED AS A COMPLETE UNIT: INDIVIDUAL PIECE PARTS ARE NOT SOLD SEPARATELY.

## GORMAN-RUPP PUMPS

[www.grpumps.com](http://www.grpumps.com)

©2015 Gorman-Rupp Pumps

Printed in U.S.A.

**For Warranty Information, Please Visit  
[www.grpumps.com/warranty](http://www.grpumps.com/warranty)  
or call:  
U.S.: 419-755-1280  
Canada: 519-631-2870  
International: +1-419-755-1352**

**GORMAN-RUPP PUMPS**