

PUBLICATION NUMBER PL-04017-02  
Pump Issue 2  
February 9, 1994



# PUMP MODEL RD3A32-B

MANUAL  
PART 2 of 3

PARTS  
LIST

WITH  
PERFORMANCE CURVE

**THE GORMAN-RUPP COMPANY • MANSFIELD, OHIO**

GORMAN-RUPP OF CANADA LIMITED • ST. THOMAS, ONTARIO, CANADA Printed in U.S.A.

©Copyright by the Gorman-Rupp Company



## PERFORMANCE CURVE – SECTION A

### RECORDING MODEL AND SERIAL NUMBERS

Please record the pump model and serial number in the spaces provided below and in the separate Installation/Operation Manual accompanying your pump. Your Gorman-Rupp distributor needs this information when you require parts or service.

Pump Model: \_\_\_\_\_

Serial Number: \_\_\_\_\_

### WARRANTY INFORMATION

The pump warranty is provided as part of Gorman-Rupp's support program for customers who operate and maintain their equipment as described in this manual and other accompanying literature. Please note that should the equipment be abused or modified to change its performance beyond the original factory specifications, the warranty will become void and any claim will be denied.

### PERFORMANCE CURVES

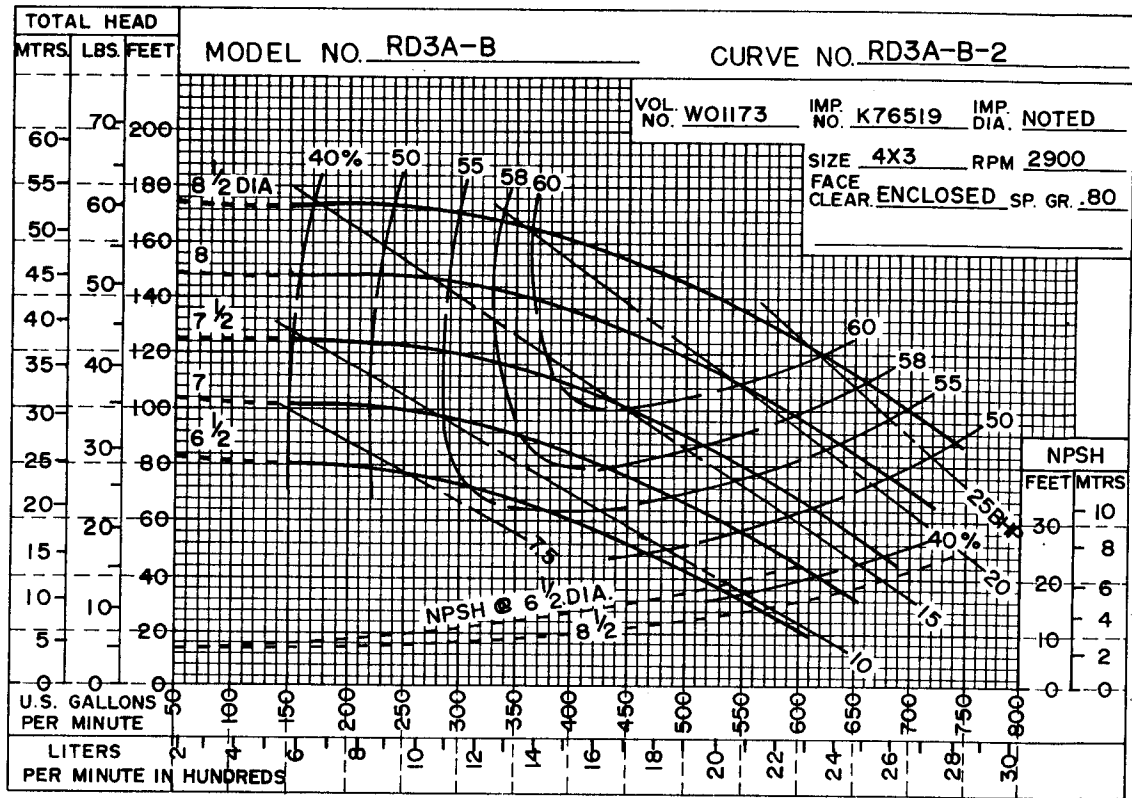
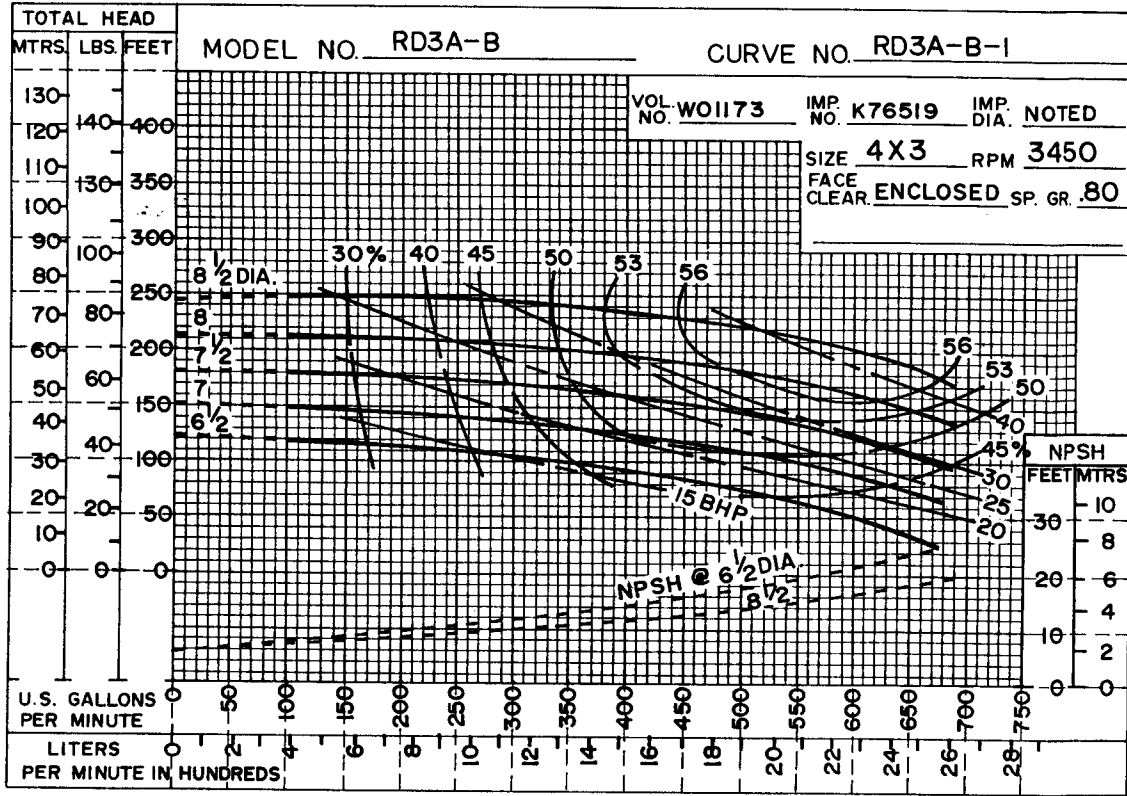
The performance curves on the following page are based on 70° F (21° C) clear water at sea level, corrected to 0.80 specific gravity, with minimum suction lift. Since pump installations are seldom identical, your performance may be different due to such factors as viscosity, specific gravity, elevation, temperature, and impeller trim.

If your pump serial number is followed by an "N", your pump is **NOT** a standard production model. Contact the Gorman-Rupp Company to verify performance or part numbers.

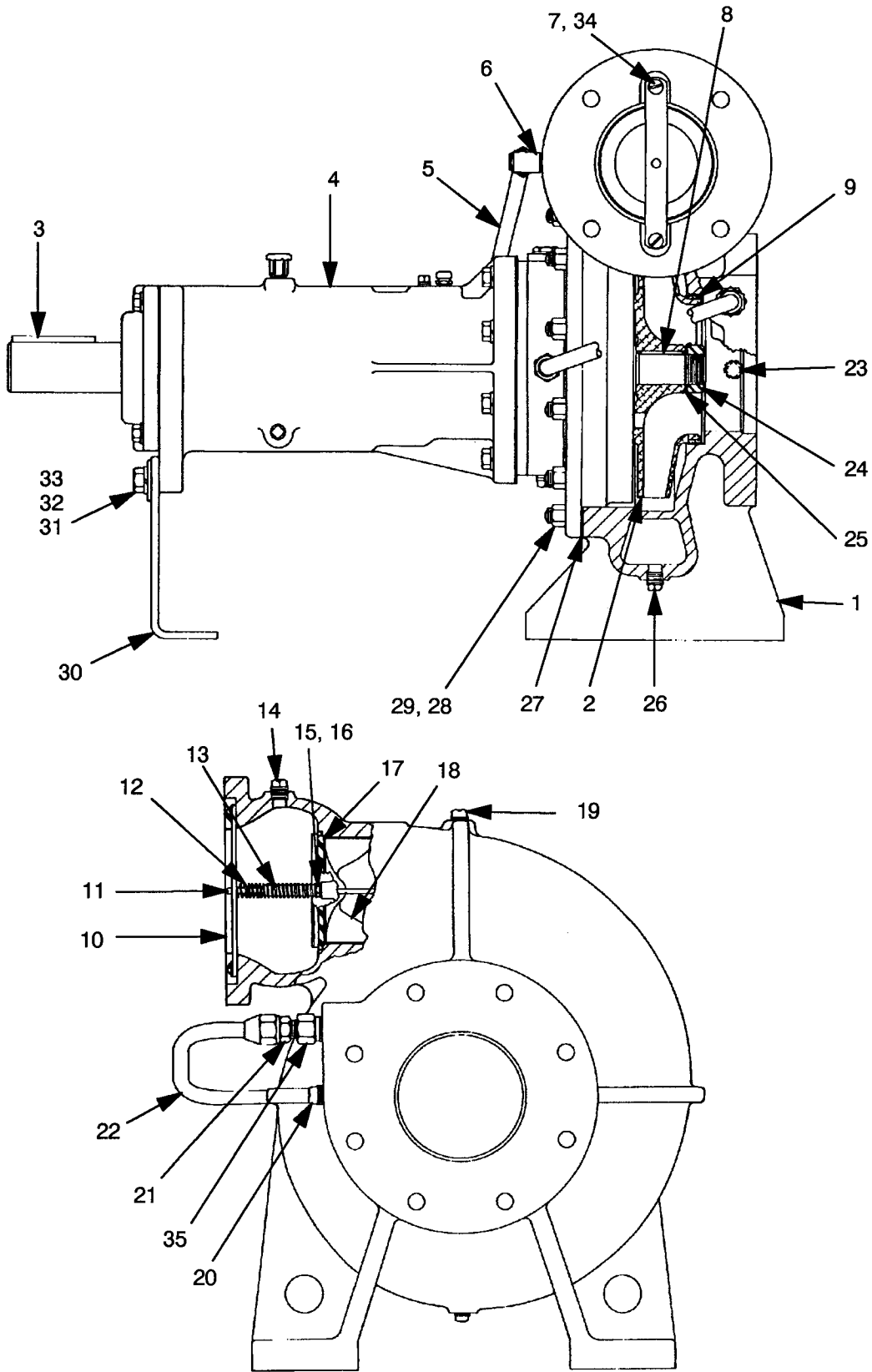


Pump speed and operating condition points must be within the continuous performance range shown on the curve(s).

**This Page Intentionally Blank**



Performance Curve - Model RD3A32-B



**THE GORMAN-RUPP COMPANY • MANSFIELD, OHIO**

GORMAN-RUPP OF CANADA LIMITED • ST. THOMAS, ONTARIO, CANADA

Printed in U.S.A.

**S/N 1054903 Up  
PUMP ISSUE 2**

**PARTS LIST  
Pump Model RD3A32-B**

If your pump serial number is followed by an "N", your pump is **NOT** a standard production model. Contact the Gorman-Rupp Company to verify part numbers.

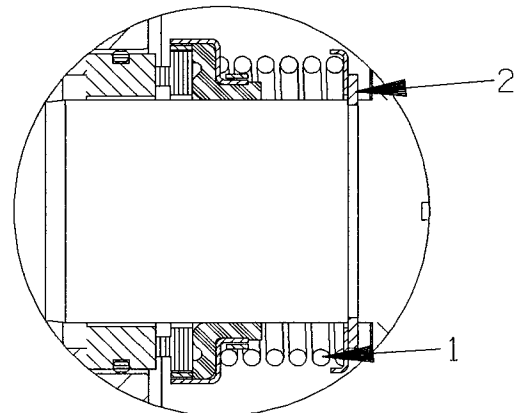
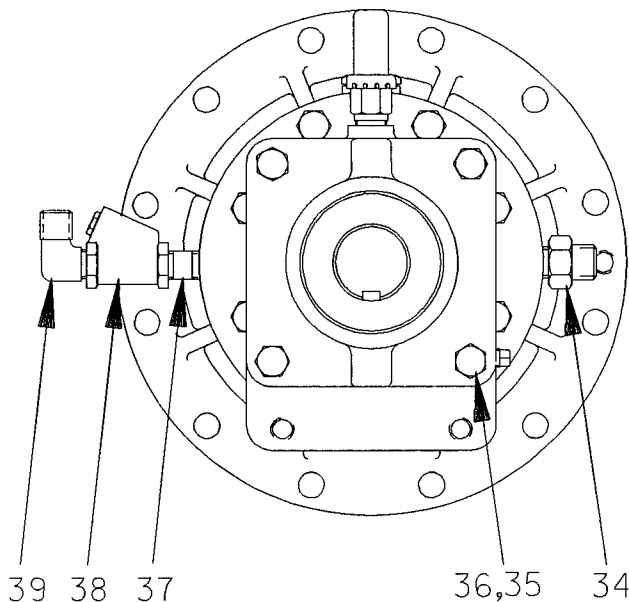
ITEM NO.	PART NAME	PART NUMBER	MAT'L CODE	QTY	ITEM NO.	PART NAME	PART NUMBER	MAT'L CODE	QTY
1	PUMP CASING	W01173-02	10140	1	27 *	PUMP CASING GASKET	R12531	20000	1
2 *	IMPELLER	K76519	13040	1	28	STUD	C0807	15991	12
3 *	SHAFT KEY	N0611	15990	1	29	HEX NUT	D08	15991	12
4	BRG HOUSING ASSY	R12853-02	-----	1	30	BEARING HSG SUPPORT	R12852-01	15990	1
5	DISCH TUBE ASSY	N19160	-----	1	31	HEX HD CAPSCREW	B0805	15991	2
6	MALE ELBOW	25812-011	-----	1	32	LOCKWASHER	J08	15991	2
7	SCREW	21513-314	-----	2	33	FLAT WASHER	K08	15991	2
8 *	IMPELLER KEY	K79329-23	15990	1	34	T-TYPE LOCKWASHER	AL04	17170	2
9 †	WEAR RING	NOT AVAILABLE		2	35	STRAINER	26841-074	-----	1
10	GUIDE	K86489	15991	1	<b>NOT SHOWN:</b>				
11	VALVE STEM	K86487	15991	1	* DISCH CHK VALVE GSKT	11589GA	18000		1
12	DISCH VALVE SPRING	K86490	-----	1	* DISCH FLANGE GASKET	N14147	18000		1
13	VALVE STEM SLV	K86488	15991	1	SUCTION STICKER	6588AG	-----		1
14	PIPE PLUG	P02	15079	1	DISCHARGE STICKER	6588BJ	-----		1
15	HEX NUT	D#10S	15991	1	NAME PLATE	2613DZ	13990		1
16	T-TYPE LOCKWASHER	AK#10	15991	1	DRIVE SCREW	BM#04-03	15990		2
17	O-RING	25152-335	-----	1	LUBE DECAL	38816-081	-----		1
18	DISCHARGE VALVE	N14133B	14000	1	INSTRUCTION TAG	38817-011	-----		1
19	PIPE PLUG	P02	15079	1	ROTATION DECAL	2613M	-----		1
20	PIPE PLUG	P06	15079	1	BEARING TAG	6588ABB	-----		1
21	CONNECTOR	25812-214	-----	1	<b>OPTIONAL:</b>				
22	SUCT TUBE ASSY	46333-008	-----	1	COMPANION FLANGES (SUCT AND DISCHARGE)				
23	PIPE PLUG	P02	15079	1	-COMPANION FLG KIT	K33850	-----		1
24	IMPELLER NUT	K75776	15111	1	BRONZE IMPELLER	T06235-22	14150		1
25	BRG LOCKWASHER	23962-506	-----	1					
26	PIPE PLUG	P02	15079	1					

\* INDICATES PARTS RECOMMENDED FOR STOCK

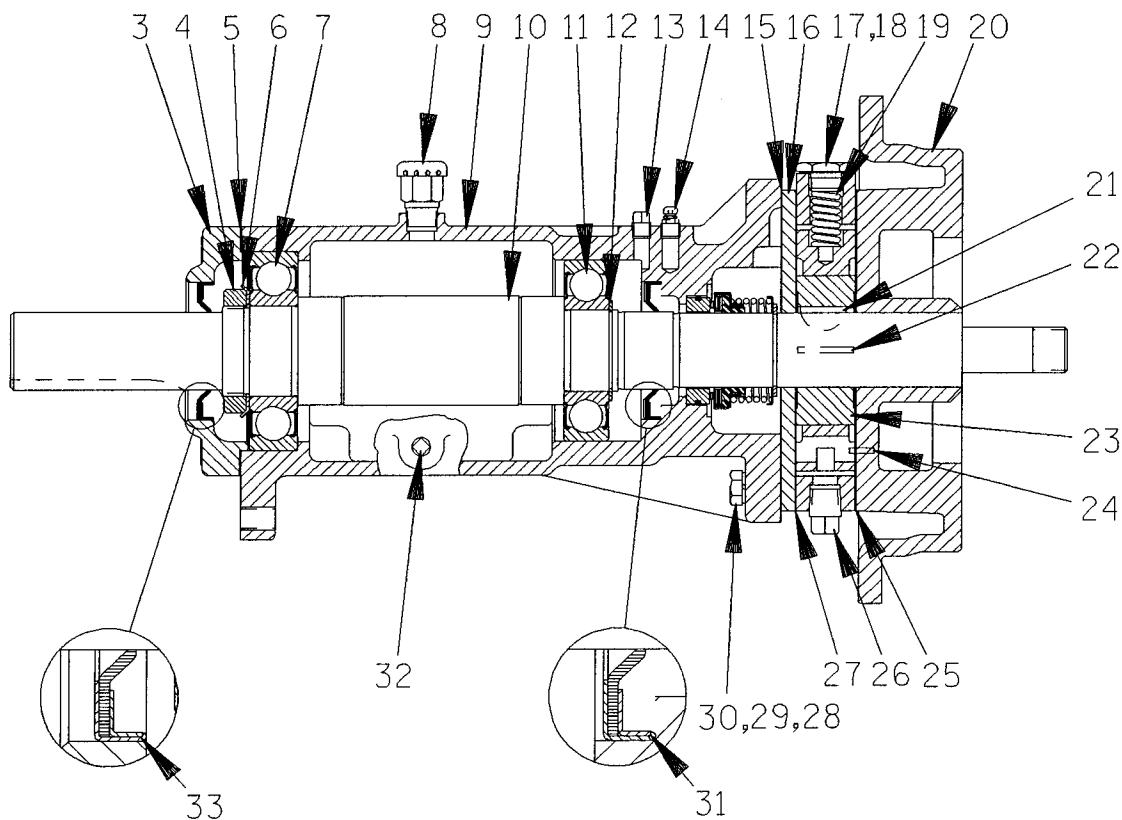
Above Serial Numbers Do Not Apply To Pumps Made In Canada.

CANADIAN SERIAL NO. .... AND UP

† ALL ROTO-PRIME® IMPELLERS ARE TRIMMED AND INCLUDE WEAR RINGS AND GROOVE PINS. WEAR RINGS ARE NOT SOLD SEPARATELY.



SEAL AREA DETAIL



**THE GORMAN-RUPP COMPANY • MANSFIELD, OHIO**

GORMAN-RUPP OF CANADA LIMITED • ST. THOMAS, ONTARIO, CANADA

Printed in U.S.A.



S/N 1054903 Up  
PUMP ISSUE 2

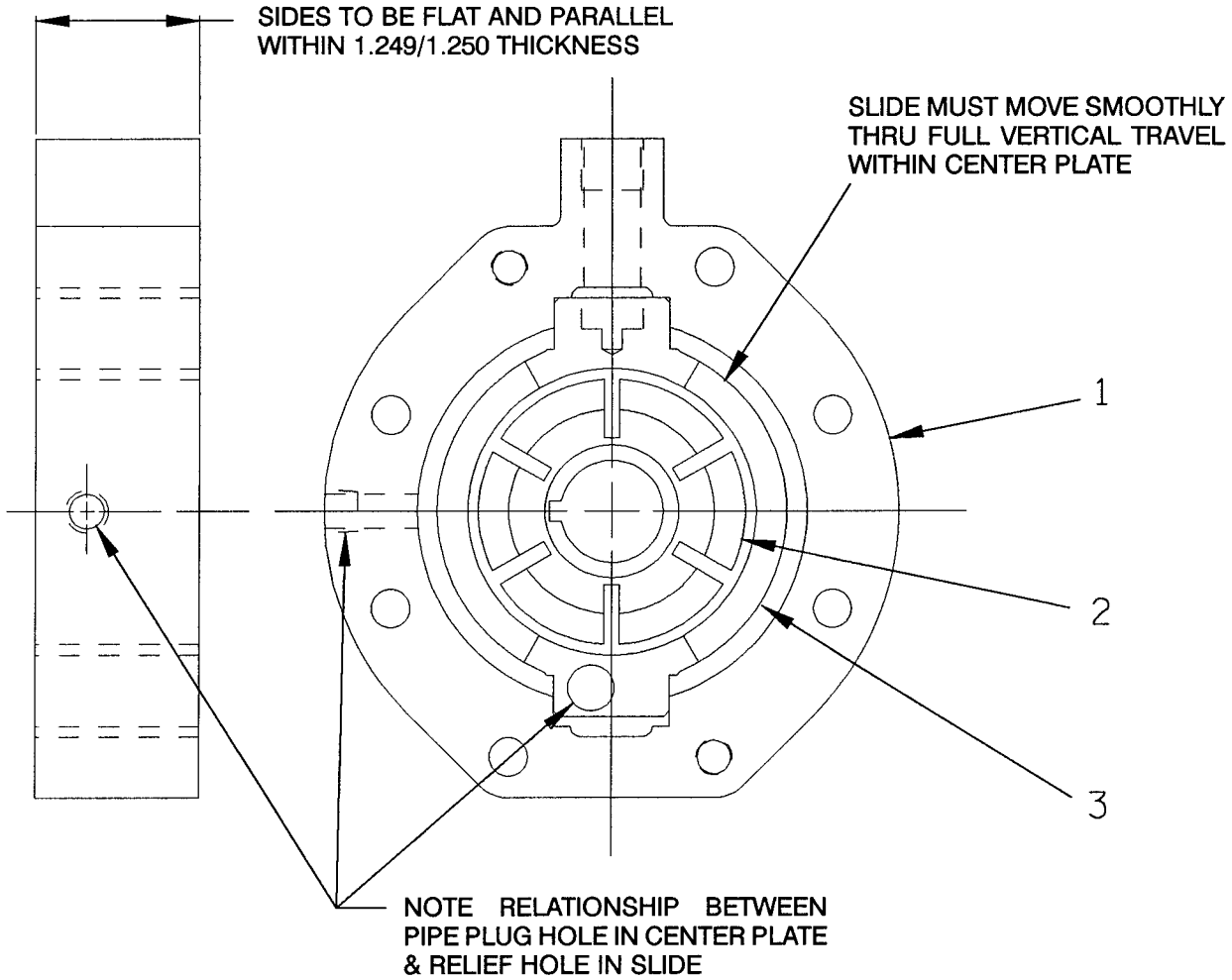
**PARTS LIST**  
**R12853-02 Bearing Housing Assembly**

ITEM NO.	PART NAME	PART NUMBER	MAT'L CODE	QTY	ITEM NO.	PART NAME	PART NUMBER	MAT'L CODE	QTY
1 *	SEAL ASSEMBLY	25271-921	-----	1	24 *	LOCATING PIN	21154-666	-----	1
2	SEAL RETAINING RING	24124-243	-----	1	25 †	CENTER PLATE GASKET	N14145	18010	2
3	BEARING CAP	R12770-02	10010	1	26	PIPE PLUG	P06	15079	1
4	BEARING LOCK NUT	23962-011	-----	1	27 *	CENTER PLATE GASKET	N14145	18010	1
5 *	BEARING CAP GASKET	N18938-01	18000	1	28	HEX HD CAPSCREW	21632-611	-----	8
6	TAB WASHER	23962-511	-----	1	29	LOCKWASHER	J06	15991	8
7 *	OUTBOARD BEARING	23282-011	-----	1	30	DOWEL PIN	21133-073	-----	2
8	AIR VENT	S1703	-----	1	31 *	OIL SEAL	25227-240	-----	1
9	BEARING HOUSING	W01172-03	11010	1	32	PIPE PLUG	P02	15079	1
10 *	IMPELLER SHAFT	T08467-02	15010	1	33 *	OIL SEAL	25227-240	-----	1
11 *	BALL BEARING	23282-010	-----	1	34	MALE CONNECTOR	25812-214	-----	1
12	BEARING RET RING	24124-245	-----	1	35	HEX HD CAPSCREW	21632-597	-----	4
13	PIPE PLUG	P02	15079	1	36	LOCKWASHER	J06	15991	4
14	AIR VENT	S2162	-----	1	37	PIPE NIPPLE	T0606	15079	1
15 *	SPACER PLATE GASKET	N14144	18000	1	38	CHECK VALVE	26641-512	-----	1
16	SPACER PLATE	N14129-02	11010	1	39	MALE ELBOW	25812-011	-----	1
17	PRESS REG SPRING CAP	K68064	15991	1					
18 *	SPRING CAP GASKET	K86067	-----	1		OPTIONAL:			
19 *	PRESS REG SPRING	K76301	-----	1		SST IMPELLER SHAFT	T08467-02	17080	1
20	BODY COVER	T07826-04	10140	1		● OIL LUBE BEARING			
21 *	ROTOR WOODRUFF KEY	K61559	15990	1		HOUSING ASSEMBLY	44143-098	-----	1
22 *	ROTOR BLADE	K79300-22	-----	6		-INBOARD BEARING	S1088	-----	1
23	GROUP GRIND	LK05418	-----	1		-OUTBOARD BEARING	S1077	-----	1
						-OIL CUP	26713-051	-----	1

\* INDICATES PARTS RECOMMENDED FOR STOCK

† 2 GASKETS REQUIRED WHEN ROTOR OR SLIDE IS THICKER THAN CENTER PLATE.

● ALL OTHER COMPONENTS SAME AS STANDARD BEARING HOUSING ASSEMBLY.



**PARTS LIST**  
**LK05418 Group Grind**

ITEM NO.	PART NAME	PART NUMBER	MAT'L CODE	QTY
1	CENTER PLATE	NOT AVAILABLE	-----	1
2	ROTOR	NOT AVAILABLE	-----	1
3	SLIDE	NOT AVAILABLE	-----	1

**NOTE:** THE GROUP GRIND MUST BE REPLACED AS A COMPLETE UNIT. INDIVIDUAL PIECE PARTS ARE NOT SOLD SEPARATELY.

**THE GORMAN-RUPP COMPANY • MANSFIELD, OHIO**

GORMAN-RUPP OF CANADA LIMITED • ST. THOMAS, ONTARIO, CANADA

Printed in U.S.A.



**For U.S. and International Warranty Information,  
Please Visit [www.grpumps.com/warranty](http://www.grpumps.com/warranty)  
or call:  
U.S.: 419-755-1280  
International: +1-419-755-1352**

**For Canadian Warranty Information,  
Please Visit [www.grcanada.com/warranty](http://www.grcanada.com/warranty)  
or call:  
519-631-2870**