

Use With: OM-03989  
MR-03991

PUBLICATION NUMBER PL-04073-02  
May 17, 1999  
Rev. B 09-25-12



# PUMP MODEL RD3A31-BAR

**MANUAL  
PART 2 of 3**

**PARTS  
LIST  
WITH  
PERFORMANCE CURVE**

**THE GORMAN-RUPP COMPANY • MANSFIELD, OHIO**

[www.grpumps.com](http://www.grpumps.com)

**GORMAN-RUPP OF CANADA LIMITED • ST. THOMAS, ONTARIO, CANADA** Printed in U.S.A.

© Copyright by the Gorman-Rupp Company

Register your new  
Gorman-Rupp pump online at  
**[www.grpumps.com](http://www.grpumps.com)**

Valid serial number and e-mail address required.

**RECORD YOUR PUMP MODEL AND SERIAL NUMBER**

Please record your pump model and serial number in the spaces provided below. Your Gorman-Rupp distributor needs this information when you require parts or service.

Pump Model: \_\_\_\_\_

Serial Number: \_\_\_\_\_

## PERFORMANCE CURVE – SECTION A

### RECORDING MODEL AND SERIAL NUMBERS

Please record the pump model and serial number in the spaces provided below and in the separate Installation/Operation Manual accompanying your pump. Your Gorman-Rupp distributor needs this information when you require parts or service.

Pump Model: \_\_\_\_\_

Serial Number: \_\_\_\_\_

### WARRANTY INFORMATION

The pump warranty is provided as part of Gorman-Rupp's support program for customers who operate and maintain their equipment as described in this manual and other accompanying literature. Please note that should the equipment be abused or modified to change its performance beyond the original factory specifications, the warranty will become void and any claim will be denied.

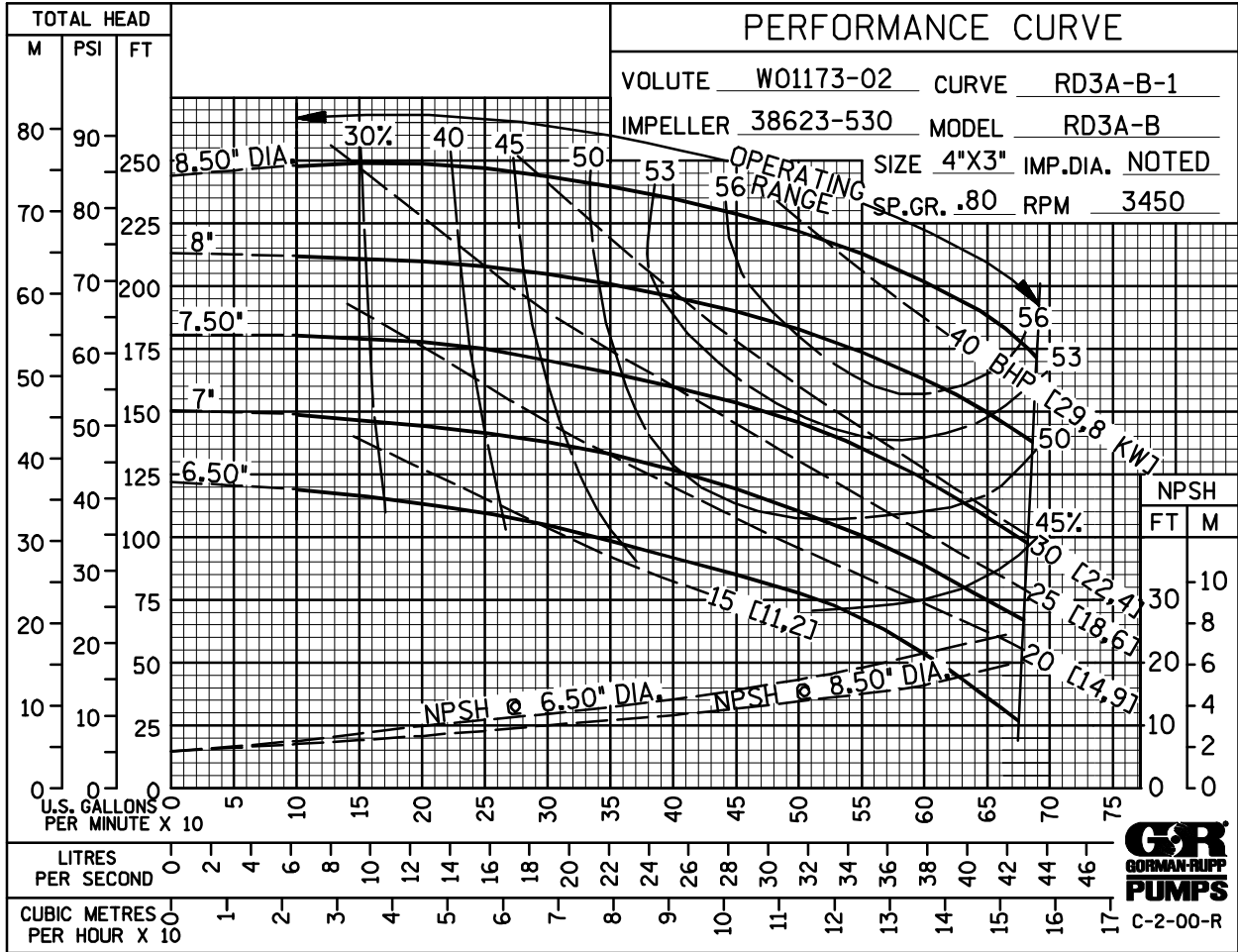
### PERFORMANCE CURVE

The performance curve on the following page is based on 70° F (21° C) clear water at sea level, corrected to 0.80 specific gravity, with minimum suction lift. Since pump installations are seldom identical, your performance may be different due to such factors as viscosity, specific gravity, elevation, temperature, and impeller trim.

If your pump serial number is followed by an "N", your pump is **NOT** a standard production model. Contact the Gorman-Rupp Company to verify performance or part numbers.

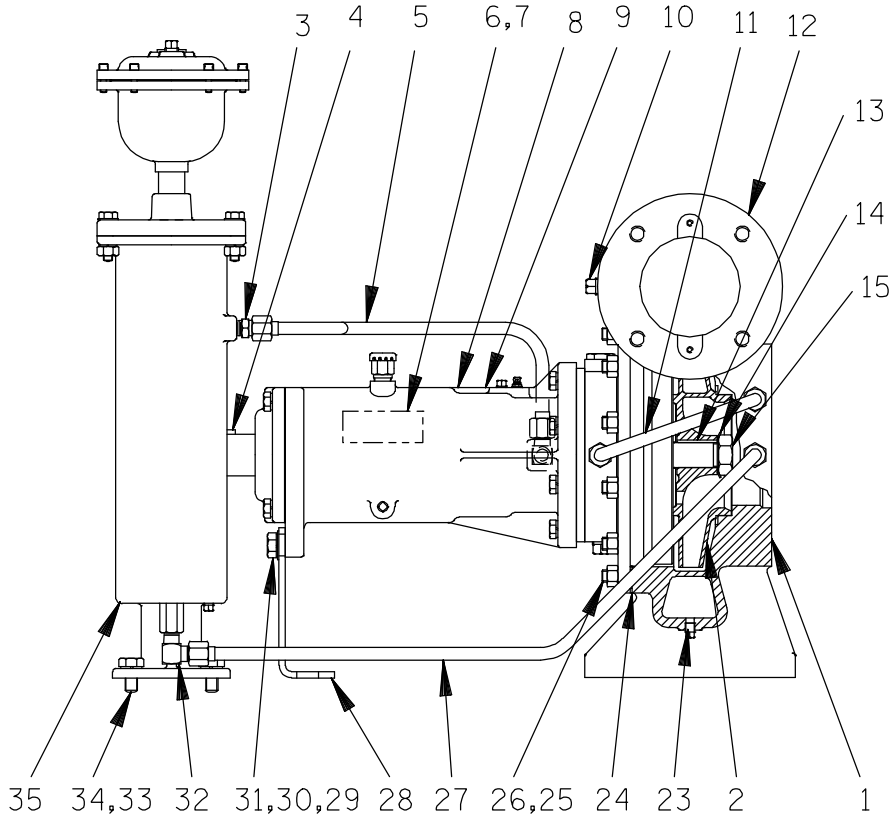
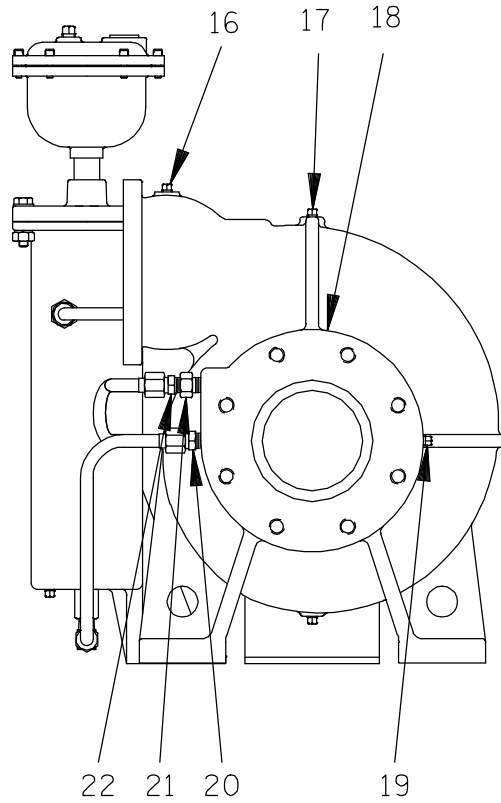


Pump speed and operating condition points must be within the continuous performance range shown on the curve(s).



Performance Curve – Model RD3A31-BAR

**This Page Intentionally Blank**



**THE GORMAN-RUPP COMPANY • MANSFIELD, OHIO**

# RD3A31—BAR

B

S/N 1204949 Up  
PUMP ISSUE 2

## PARTS LIST Pump Model RD3A31—BAR

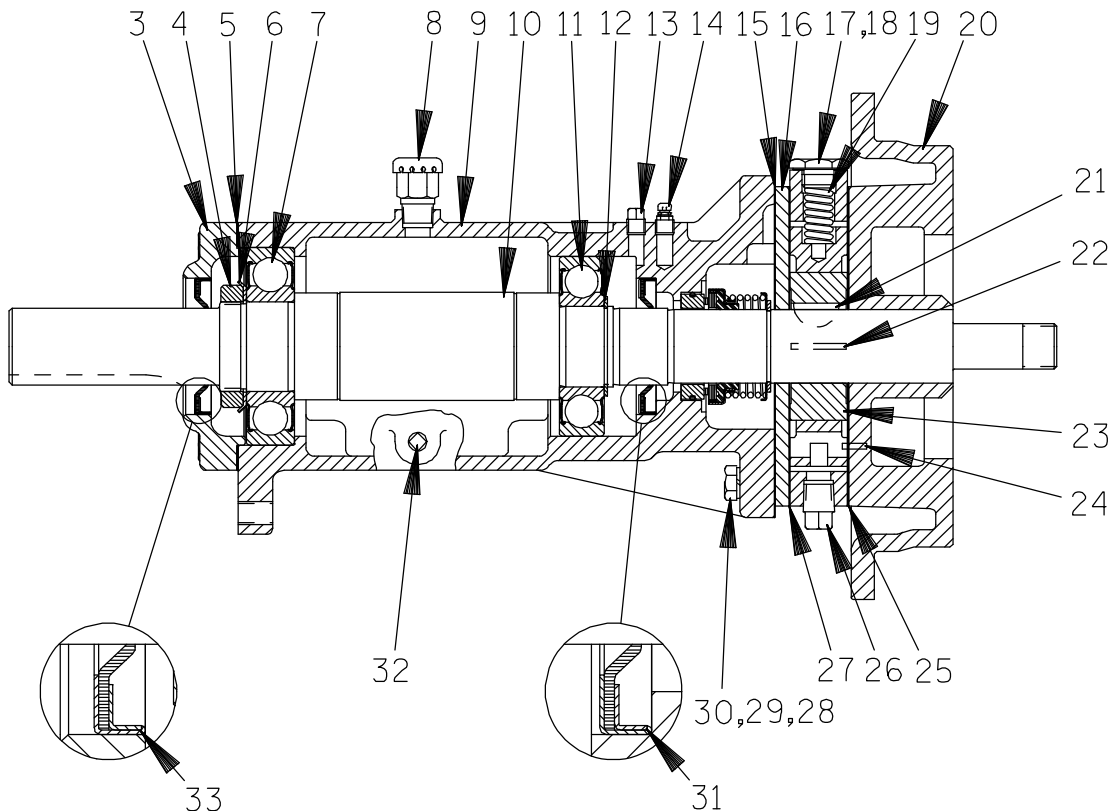
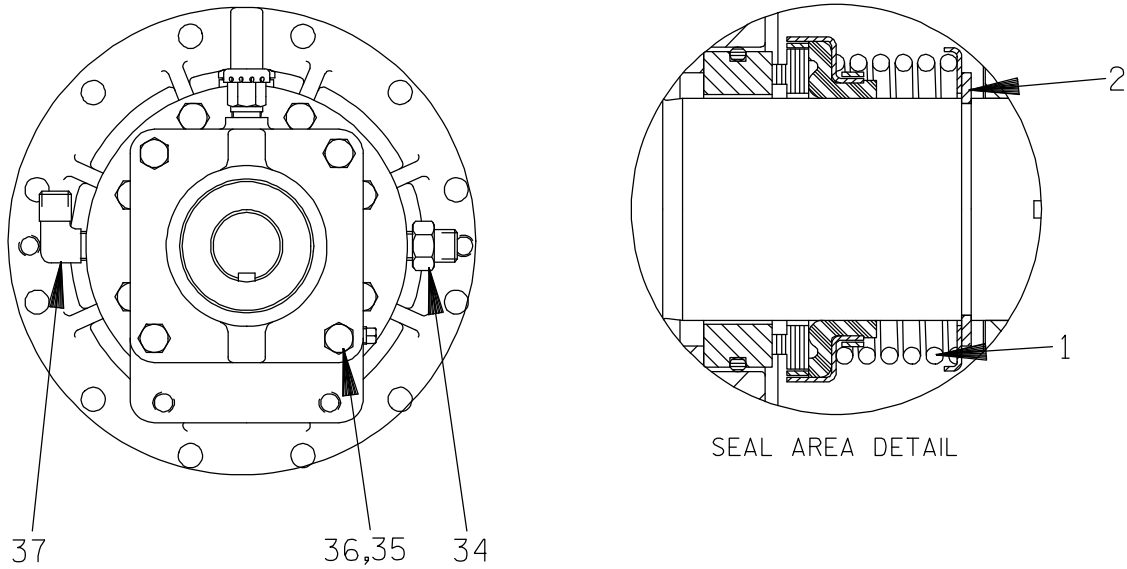
If your pump serial number is followed by an "N", your pump is **NOT** a standard production model. Contact the Gorman-Rupp Company to verify part numbers.

ITEM NO.	PART NAME	PART NUMBER	MAT'L CODE	QTY	ITEM NO.	PART NAME	PART NUMBER	MAT'L CODE	QTY
1	PUMP CASING	W01173-02	11010	1	24 *	PUMP CASING GASKET	R12531	20000	1
2 *	IMPELLER	38623-530	13048	1	25	STUD	C0807	15991	12
3	CONNECTOR	25812-214	----	1	26	HEX NUT	D08	15991	12
4 *	SHAFT KEY	N0611	15990	1	27	RETURN TUBE ASSY	46335-086	----	1
5	DISCH TUBE ASSY	46335-091	----	1	28	BEARING HSG SUPPORT	R12852-01	15990	1
6	NAME PLATE	2613DZ	13990	1	29	HEX HD CAPSCREW	B0805	15991	2
7	DRIVE SCREW	BM#04-03	17000	2	30	LOCKWASHER	J08	15991	2
8	LUBE DECAL	38816-081	----	1	31	FLAT WASHER	K08	15991	2
9	BRG HOUSING ASSY	44143-108	----	1	32	MALE ELBOW	25812-011	----	1
10	PIPE PLUG	P06	15079	1	33	HEX HD CAPSCREW	B0805	15991	2
11	SUCT TUBE ASSY	46335-076	----	1	34	LOCKWASHER	J08	15991	2
12	DISCHARGE STICKER	6588BJ	----	1	35 ●	AIR RELEASE VALVE	GRP33-06A	----	1
13 *	IMPELLER KEY	K79329-23	15990	1	NOT SHOWN:				
14	LOCKWASHER	23962-506	----	1	*	DISCH CHK VALVE GSKT	11589GA	18000	1
15	IMPELLER NUT	K75776	15111	1	*	DISCH FLANGE GASKET	N14147	18000	1
16	PIPE PLUG	P02	15079	1		INSTRUCTION TAG	38817-011	----	1
17	PIPE PLUG	P02	15079	1		ROTATION DECAL	2613M	----	1
18	SUCTION STICKER	6588AG	----	1	OPTIONAL:				
19	PIPE PLUG	P02	15079	1		COMPANION FLANGES (SUCT AND DISCHARGE)			
20	CONNECTOR	25812-214	----	1	-	COMPANION FLG KIT	K33850	----	1
21	STRAINER	26841-094	----	1		STEEL TUBING KIT	48263-511	----	1
22	CONNECTOR	25812-214	----	1					
23	PIPE PLUG	P02	15079	1					

\* INDICATES PARTS RECOMMENDED FOR STOCK

† ALL ROTO-PRIME<sup>®</sup> IMPELLERS ARE TRIMMED.

● SEE ACCOMPANYING LITERATURE FOR INDIVIDUAL PARTS, MAINTENANCE AND REPAIR.



**THE GORMAN-RUPP COMPANY • MANSFIELD, OHIO**



S/N 1204949 Up  
PUMP ISSUE 2

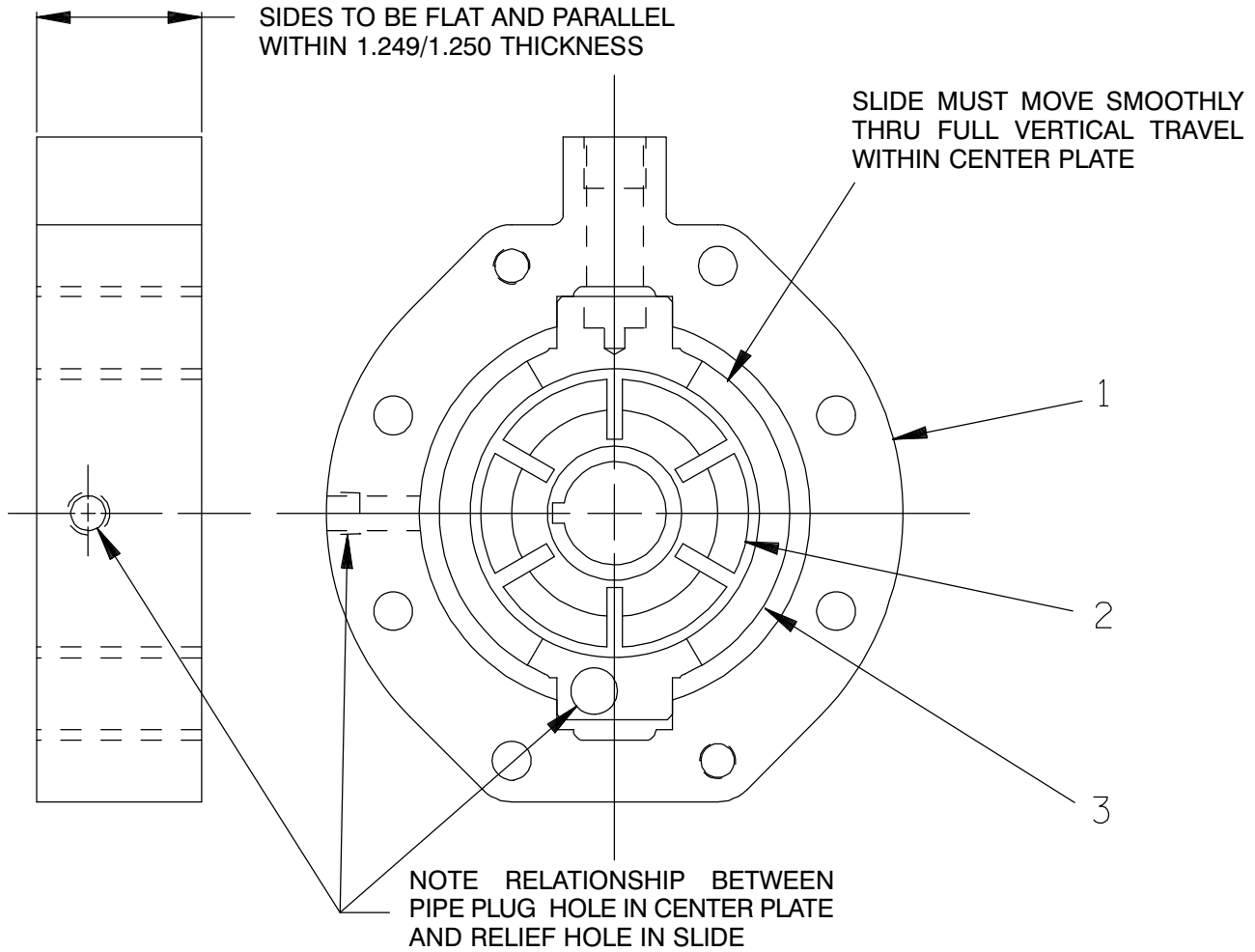
**PARTS LIST**  
**44143—108 Bearing Housing Assembly**

ITEM NO.	PART NAME	PART NUMBER	MAT'L CODE	QTY	ITEM NO.	PART NAME	PART NUMBER	MAT'L CODE	QTY
1 *	SEAL ASSEMBLY	25271—921	----	1	25 †	CENTER PLATE GASKET	N14145	18010	2
2	SEAL RETAINING RING	24124—243	----	1	26	PIPE PLUG	P06	15079	1
3	BEARING CAP	R12770—02	10010	1	27 *	CENTER PLATE GASKET	N14145	18010	1
4	BEARING LOCK NUT	23962—011	----	1	28	HEX HD CAPSCREW	B0612	15991	8
5 *	BEARING CAP GASKET	N18938—01	18000	1	29	LOCKWASHER	J06	15991	8
6	TAB WASHER	23962—511	----	1	30	DOWEL PIN	21133—073	----	2
7 *	OUTBOARD BEARING	23282—011	----	1	31 *	OIL SEAL	25227—240	----	1
8	AIR VENT	S1703	----	1	32	PIPE PLUG	P02	15079	1
9	BEARING HOUSING	W01172—03	11010	1	33 *	OIL SEAL	25227—240	----	1
10 *	IMPELLER SHAFT	T08467—02	15010	1	34	CONNECTOR	26351—062	----	1
11 *	BALL BEARING	23282—010	----	1	35	HEX HD CAPSCREW	B0605	15991	4
12	BEARING RET RING	24124—245	----	1	36	LOCKWASHER	J06	15991	4
13	PIPE PLUG	P02	15079	1	37	MALE ELBOW	26351—133	----	1
14	AIR VENT	S2162	----	1					
15 *	SPACER PLATE GASKET	N14144	18000	1					
16	SPACER PLATE	N14129—02	11010	1	OPTIONAL:				
17	PRESS REG SPRING CAP	K68064	15991	1		SST IMPELLER SHAFT	T08467—02	17080	1
18 *	SPRING CAP GASKET	K86067	----	1		TEFLON SEAL ASSY	25271—761	----	1
19 *	PRESS REG SPRING	K76301	----	1		● OIL LUBE BEARING HOUSING ASSEMBLY			
20	BODY COVER	T07826—04	11010	1			44143—111	----	1
21 *	ROTOR WOODRUFF KEY	K61559	15990	1		--INBOARD BEARING	S1088	----	1
22 *	ROTOR BLADE	K79300—22	----	6		--OUTBOARD BEARING	S1077	----	1
23	GROUP GRIND	42212—014	----	1		--OIL CUP	26713—051	----	1
24 *	LOCATING PIN	21154—666	----	1		GROUP GRIND WITH C.I. ROTOR			
						--C.I. GROUP GRIND	LK05403	----	1

\* INDICATES PARTS RECOMMENDED FOR STOCK

† 2 GASKETS REQUIRED WHEN ROTOR OR SLIDE IS THICKER THAN CENTER PLATE.

● ALL OTHER COMPONENTS SAME AS STANDARD BEARING HOUSING ASSEMBLY.



**PARTS LIST**  
**42212-014 Group Grind**

ITEM NO.	PART NAME	PART NUMBER	MAT'L CODE	QTY
1	CENTER PLATE	NOT AVAILABLE	-----	1
2	ROTOR	NOT AVAILABLE	-----	1
3	SLIDE	NOT AVAILABLE	-----	1

**NOTE:** THE GROUP GRIND MUST BE REPLACED AS A COMPLETE UNIT: INDIVIDUAL PIECE PARTS ARE NOT SOLD SEPARATELY.

**THE GORMAN-RUPP COMPANY • MANSFIELD, OHIO**

**For U.S. and International Warranty Information,  
Please Visit [www.grpumps.com/warranty](http://www.grpumps.com/warranty)  
or call:  
U.S.: 419-755-1280  
International: +1-419-755-1352**

**For Canadian Warranty Information,  
Please Visit [www.grcanada.com/warranty](http://www.grcanada.com/warranty)  
or call:  
519-631-2870**