

ACE

Use With: OM-05146
MR-05147

PUBLICATION NUMBER PL-05168-01
August 10, 2000



PUMP MODEL VGH8D31-B

**MANUAL
PART 2 of 3**

**PARTS
LIST
WITH
PERFORMANCE CURVE**

THE GORMAN-RUPP COMPANY • MANSFIELD, OHIO

GORMAN-RUPP OF CANADA LIMITED • ST. THOMAS, ONTARIO, CANADA Printed in U.S.A.

©Copyright by the Gorman-Rupp Company

PERFORMANCE CURVE – SECTION A

RECORDING MODEL AND SERIAL NUMBERS

Please record the pump model and serial number in the spaces provided below and in the separate Installation/Operation Manual accompanying your pump. Your Gorman-Rupp distributor needs this information when you require parts or service.

Pump Model: _____

Serial Number: _____

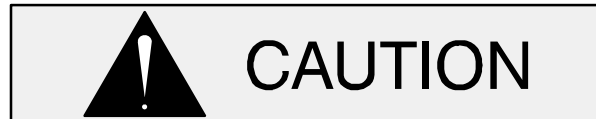
WARRANTY INFORMATION

The pump warranty is provided as part of Gorman-Rupp's support program for customers who operate and maintain their equipment as described in this manual and other accompanying literature. Please note that should the equipment be abused or modified to change its performance beyond the original factory specifications, the warranty will become void and any claim will be denied.

PERFORMANCE CURVES

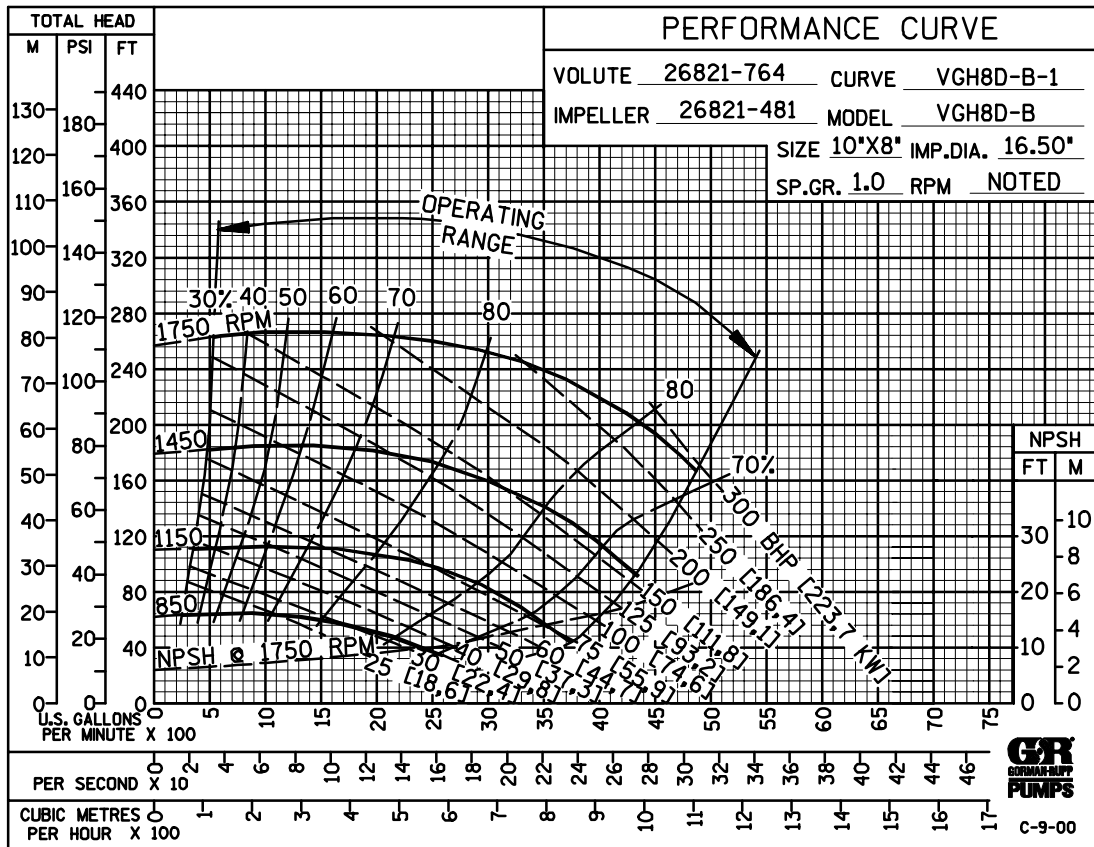
The performance curves on the following page are based on 70° F (21° C) clear water at sea level. Since pump installations are seldom identical, your performance may be different due to such factors as viscosity, specific gravity, elevation, temperature, and impeller trim.

If your pump serial number is followed by an "N", your pump is **NOT** a standard production model. Contact the Gorman-Rupp Company to verify performance or part numbers.



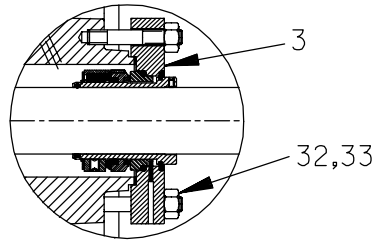
Pump speed and operating condition points must be within the continuous performance range shown on the curve(s).

This Page Intentionally Blank

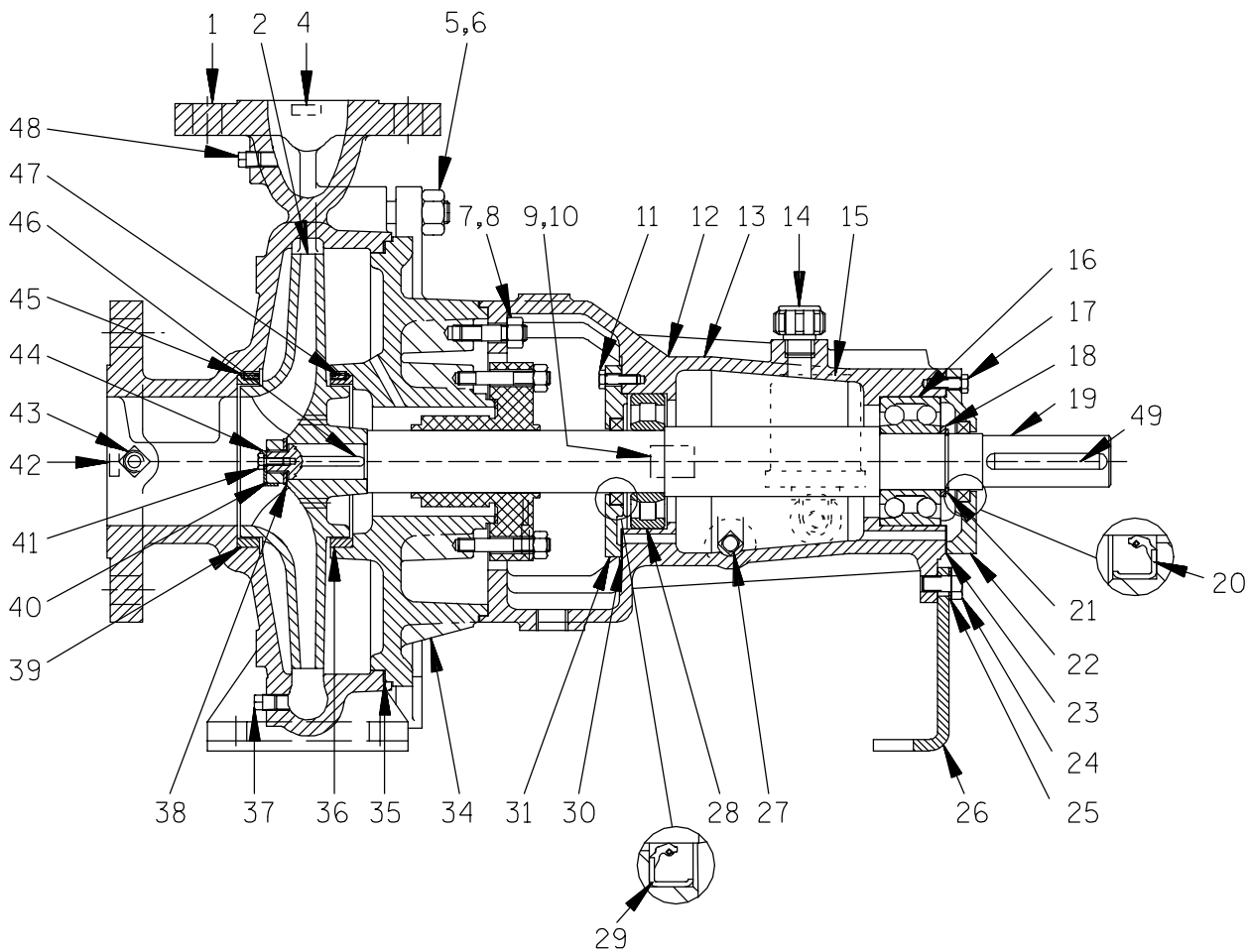


Performance Curve – Model VGH8D31-B

S/N 1208739 Up
PUMP ISSUE 1



SEAL AREA DETAIL



THE GORMAN-RUPP COMPANY • MANSFIELD, OHIO

GORMAN-RUPP OF CANADA LIMITED • ST. THOMAS, ONTARIO, CANADA

Printed in U.S.A.

If your pump serial number is followed by an "N", your pump is **NOT** a standard production model. Contact the Gorman-Rupp Company to verify part numbers.

ITEM NO.	PART NAME	PART NUMBER	MAT'L CODE	QTY	ITEM NO.	PART NAME	PART NUMBER	MAT'L CODE	QTY
1	PUMP CASING	26821-764	----	1	28 *	BEARING	26821-351	----	1
2 *	IMPELLER	26821-481	----	1	29 *	OIL SEAL	26821-635	----	1
3 *	CARTRIDGE SEAL ASSY	26821-594	----	1	30 *	BRG COVER GASKET	26821-405	----	1
4	DISCHARGE DECAL	6588BJ	----	1	31	BEARING COVER	26821-075	----	1
5	STUD	26821-900	----	16	32	HEX NUT	26821-933	----	4
6	HEX NUT	26821-936	----	16	33	STUD	26821-889	----	4
7	STUD	26821-893	----	8	34	SEAL PLATE	26821-703	----	1
8	HEX NUT	26821-934	----	8	35	SEAL PLATE GASKET	26821-425	----	1
9	NAME PLATE	38814-068	13000	1	36	COVER WEAR RING	26821-785	----	1
10	DRIVE SCREW	BM#04-03	17000	2	37	CASING DRAIN PLUG	P08	15079	1
11	HEX HD CAPSCREW	22645-162	----	4	38	WASHER	26821-549	----	1
12	BEARING HOUSING	26821-064	----	1	39	CASING WEAR RING	26821-784	----	1
13	ROTATION DECAL	2613M	----	1	40	IMPELLER NUT	26821-135	----	1
14	OIL INLET PLUG	26821-616	----	1	41	HEX HD CAPSCREW	22645-230	----	1
15	CONSTANT LEVEL OILER	26821-617	----	1	42	SUCTION DECAL	6588AG	----	1
16 *	BEARING	S1033	----	1	43	PIPE PLUG	P04	15079	1
17	HEX HD CAPSCREW	22645-162	----	4	44	SAFETY PLATE	26821-195	----	1
18	BEARING SPACER	26821-328	----	1	45	SOCKET HD SETSCREW	26821-941	----	2
19 *	IMPELLER SHAFT	26821-852	----	1	46	IMPELLER KEY	26821-837	----	1
20 *	OIL SEAL	26821-634	----	1	47	SOCKET HD SETSCREW	26821-941	----	2
21	SNAP RING	26821-384	----	1	48	PIPE PLUG	P08	15079	2
22	BEARING COVER	26821-807	----	1	49	SHAFT KEY	N0814	15990	1
23 *	BEARING COVER GASKET	26821-405	----	1	NOT SHOWN:				
24	HEX HD CAPSCREW	22645-201	----	1		LUBE DECAL	38816-074	----	1
25	WASHER	26821-546	----	1		INSTR TAG PAPER	38817-011	----	1
26	SUPPORT FOOT	26821-200	----	1		INSTR TAG PAPER	38817-024	----	1
27	BRG HSG DRAIN PLUG	P04	15079	1					

* INDICATES PARTS RECOMMENDED FOR STOCK

THE GORMAN-RUPP COMPANY • MANSFIELD, OHIO

GORMAN-RUPP OF CANADA LIMITED • ST. THOMAS, ONTARIO, CANADA Printed in U.S.A.

**For U.S. and International Warranty Information,
Please Visit www.grpumps.com/warranty
or call:
U.S.: 419-755-1280
International: +1-419-755-1352**

**For Canadian Warranty Information,
Please Visit www.grcanada.com/warranty
or call:
519-631-2870**