



# Priming Assisted Centrifugal Pump

## Model PAH8A65C-B

Size 10" x 8"



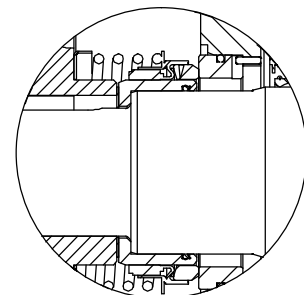
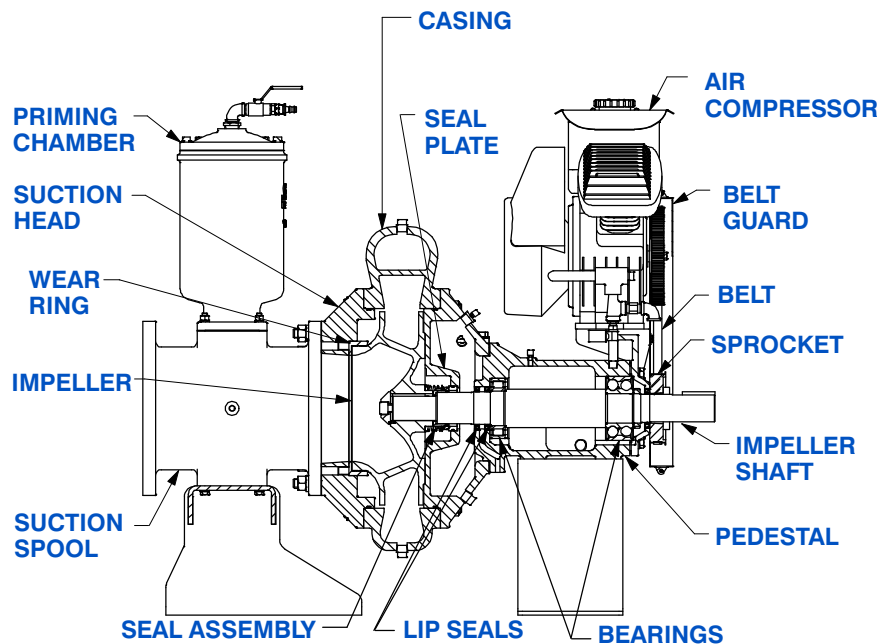
**PUMP SPECIFICATIONS**

- Size:** 10" x 8" (254 mm x 203 mm) Flanged.
- Casing:** Stainless Steel CD4MCu.  
Maximum Casing Pressure 265 psi (1827 kPa).\*
- Maximum Operating Pressure 250 psi (1723 kPa) at Temperatures up to 100° F (37° C) Based on System Component Limitations.\*
- Enclosed Type, Two Vane Impeller:** Stainless Steel CD4MCu.  
Handles 3" (76,2 mm) Diameter Spherical Solids.
- Suction Head:** Stainless Steel CD4MCu.
- Suction Spool:** Stainless Steel CD4MCu.
- Impeller Shaft:** Stainless Steel 17-4 PH.
- Replaceable Wear Ring:** Stainless Steel CD4MCu.
- Pedestal:** Gray Iron 30.
- Seal Plate:** Stainless Steel CD4MCu.
- Shaft Sleeve:** Stainless Steel 303/304.
- Priming Chamber:** Stainless Steel 316 Housing w/Stainless Steel Float and Linkage.
- Discharge Check Valve:** Stainless Steel w/Viton Flapper.
- Radial Bearing:** Open Roller.
- Thrust Bearing:** Open Double Ball.
- Bearing Cavity Lubrication:** Lithium EP2 Grease.
- Gaskets:** Fluorocarbon (DuPont Viton® or Equivalent), Compressed Synthetic Fibers and Buna-N.
- O-Rings:** Fluorocarbon (DuPont Viton® or Equivalent).
- Hardware:** Stainless Steel 316 and 17-4 PH.
- Seal Cavity Oil Level Sight Gauges.**
- \* Consult Factory for Applications Exceeding Maximum Pressure and/or Temperature Indicated.
- Standard Equipment:** Belt Driven Air Compressor.
- Optional Equipment:** Base. NPT Threaded Flange Kit. Coupling. TEFC Motor. Suction Vacuum and Discharge Pressure Gauge Kit.



**WARNING!**

Do not use in explosive atmosphere or for pumping volatile flammable liquids.



**SEAL DETAIL**

Mechanical, SAE 30 Non-Detergent Oil Lubricated. Silicon Carbide Rotating Face and Stationary Seat. Fluorocarbon Elastomers (DuPont Viton® or Equivalent). Stainless Steel 316 Cage and Stainless Steel 18-8 Spring. Maximum Temperature of Liquid Pumped 160°F (71°C).\*



GORMAN-RUPP PUMPS

www.grpumps.com

Specifications Subject to Change Without Notice

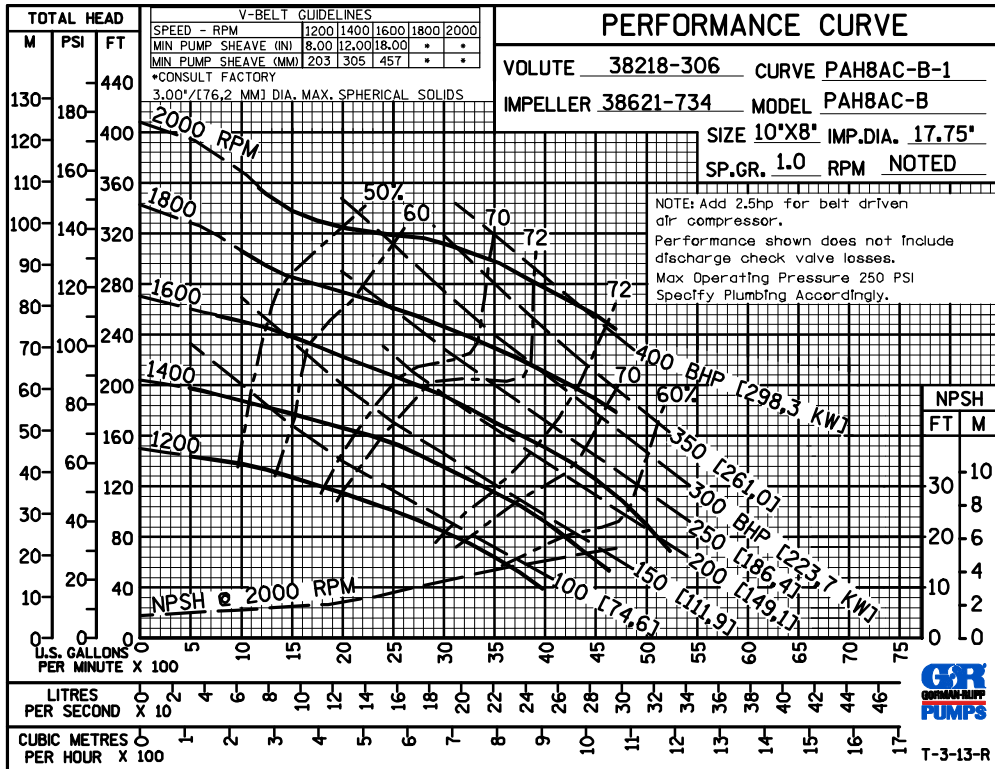
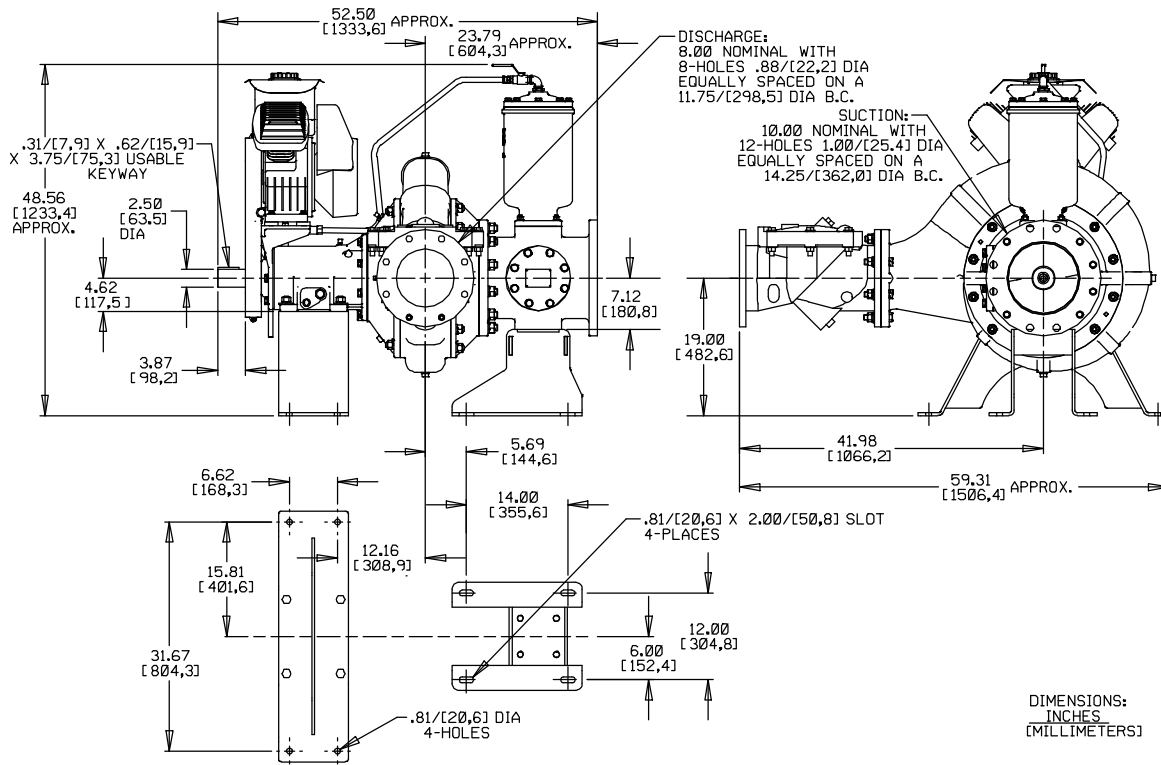
Printed in U.S.A.

**Specification Data**

APPROXIMATE  
DIMENSIONS and WEIGHTS

**NET WEIGHT:** 1650 LBS. (619 KG.)  
**SHIPPING WEIGHT:** 1850 LBS. (761 KG.)  
**EXPORT CRATE SIZE:** 170 CU. FT. (3,6 CU. M.)

SECTION 43, PAGE 401



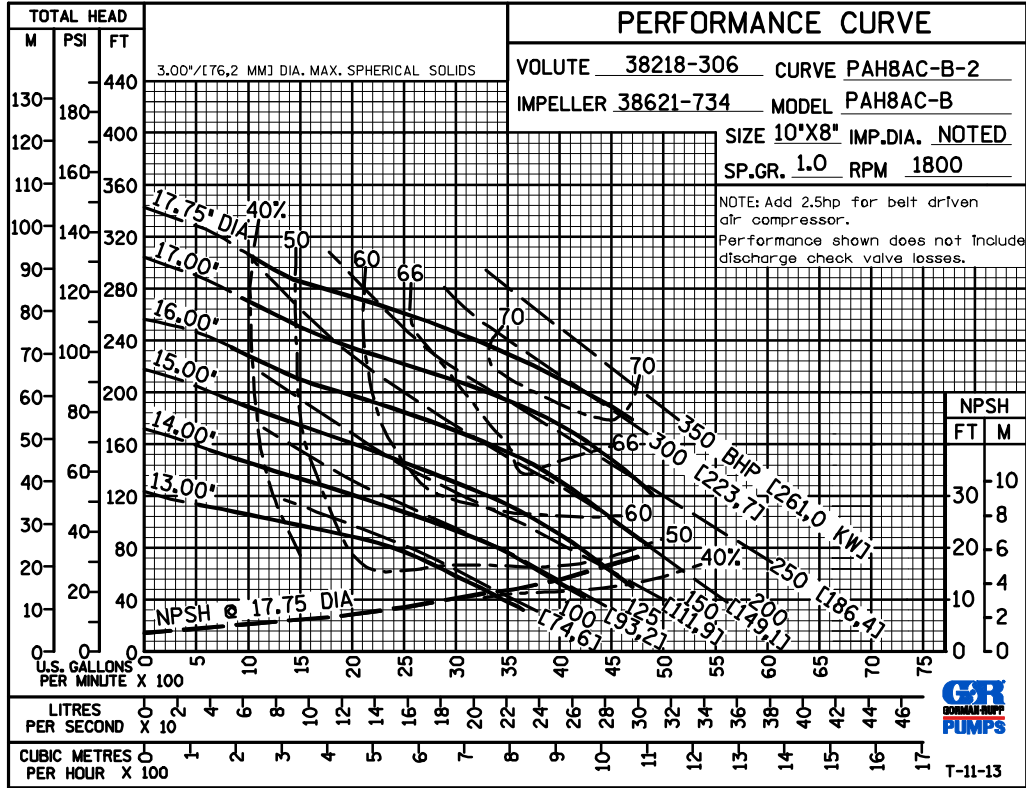
**GORMAN-RUPP PUMPS**

www.grpumps.com

Specifications Subject to Change Without Notice

Printed in U.S.A.

PERFORMANCE  
BASED ON  
WATER  
TRIMMED  
IMPELLER



GORMAN-RUPP PUMPS

www.grpumps.com

Specifications Subject to Change Without Notice

Printed in U.S.A.