

# Self Priming Centrifugal Pump



## Models 82E2-B and 82E20-B

### Size 2" x 2"

#### PUMP SPECIFICATIONS

**Size:** 2" x 2" (51 mm x 51 mm) NPT - Female.

**Casing:** Gray Iron 30.

Maximum Operating Pressure 88 psi (607 kPa).\*

**Semi-Open Type, Four Vane Impeller:** Gray Iron 30.

Handles 3/4" (19,1 mm) Diameter Spherical Solids.

**Impeller Shaft:** Carbon Steel 1045.

**Replaceable Wear Plate:** Carbon Steel 1026.

**Pedestal:** Gray Iron 30.

**Seal Plate:** Gray Iron 30.

**Seal Liner (82E2-B):** Copper Alloy C26000.

**Shaft Sleeve (82E20-B):** Stainless Steel 304.

**Flap Valve:** Steel, Gray Iron 30 and Buna-N <sup>w</sup>/Nylon Reinforcement.

**Radial and Thrust Bearings:** Open Single Row Ball.

**Bearing Lubrication:** SAE 30 Non-Detergent Oil.

**Suction Flange:** Gray Iron 30.

**Gaskets:** Vegetable Fiber.

**Hardware:** Standard Plated Steel.

**Optional Equipment:** Strainer. 90° Ductile Iron Discharge Street Elbow. Consult Factory for Additional Options.

*\*Consult Factory for Applications Exceeding Maximum Pressure and/or Temperature Indicated.*

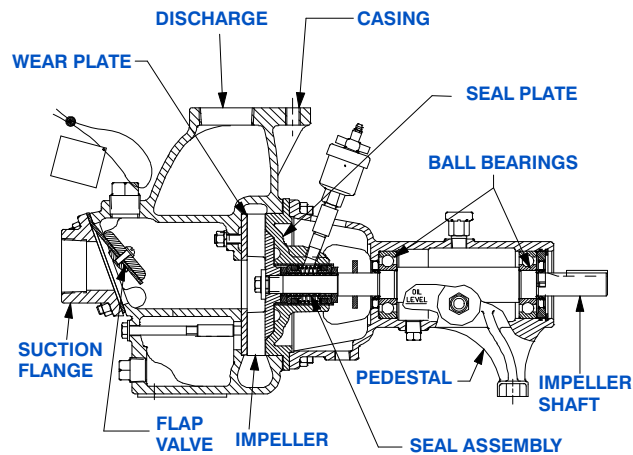


82E2-B SHOWN



#### WARNING!

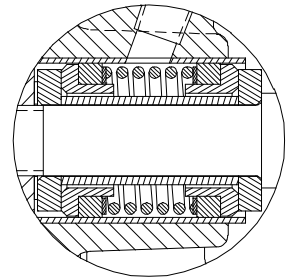
Do not use in explosive atmosphere or for pumping volatile flammable liquids.



82E2-B SHOWN

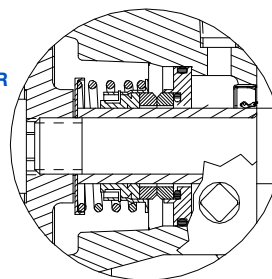
#### 82E2-B SEAL DETAIL

Double Grease-Lubricated with Spring Loaded Grease Cup. Sintered Bronze Stationary Seal Seats. Steel Rotating Faces. Neoprene Packing Rings. Maximum Temperature of Liquid Pumped, 110°F (43°C). Maximum Suction Pressure 10 psi (69 kPa).\*



#### 82E20-B SEAL DETAIL

Mechanical, Oil-Lubricated, Double Floating, Self-Aligning. Tungsten Titanium Carbide Rotating and Stationary Faces. Stainless Steel 316 Stationary Seat. Fluorocarbon Elastomers (DuPont Viton® or Equivalent). Stainless Steel 303/304 Cage and Spring. Maximum Temperature of Liquid Pumped, 160°F (71°C).\*



## GORMAN-RUPP PUMPS

www.grpumps.com

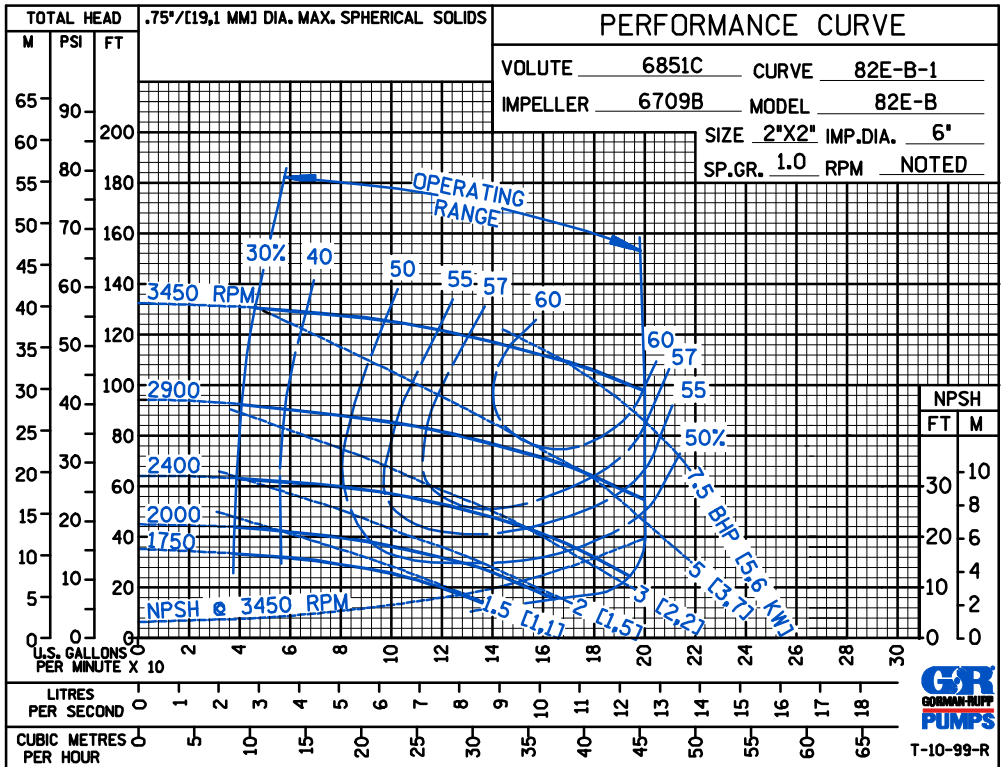
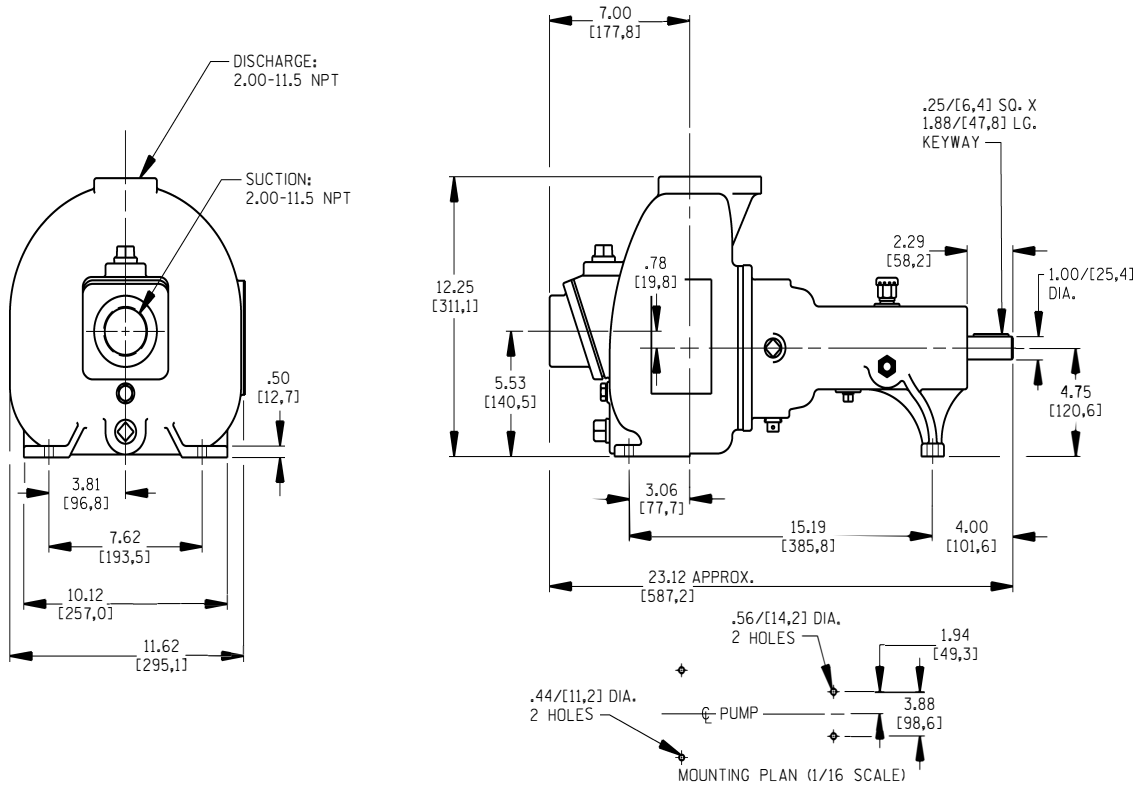
Specifications Subject to Change Without Notice

**Specification Data**

SECTION 50, PAGE 1100

APPROXIMATE  
DIMENSIONS and WEIGHTS

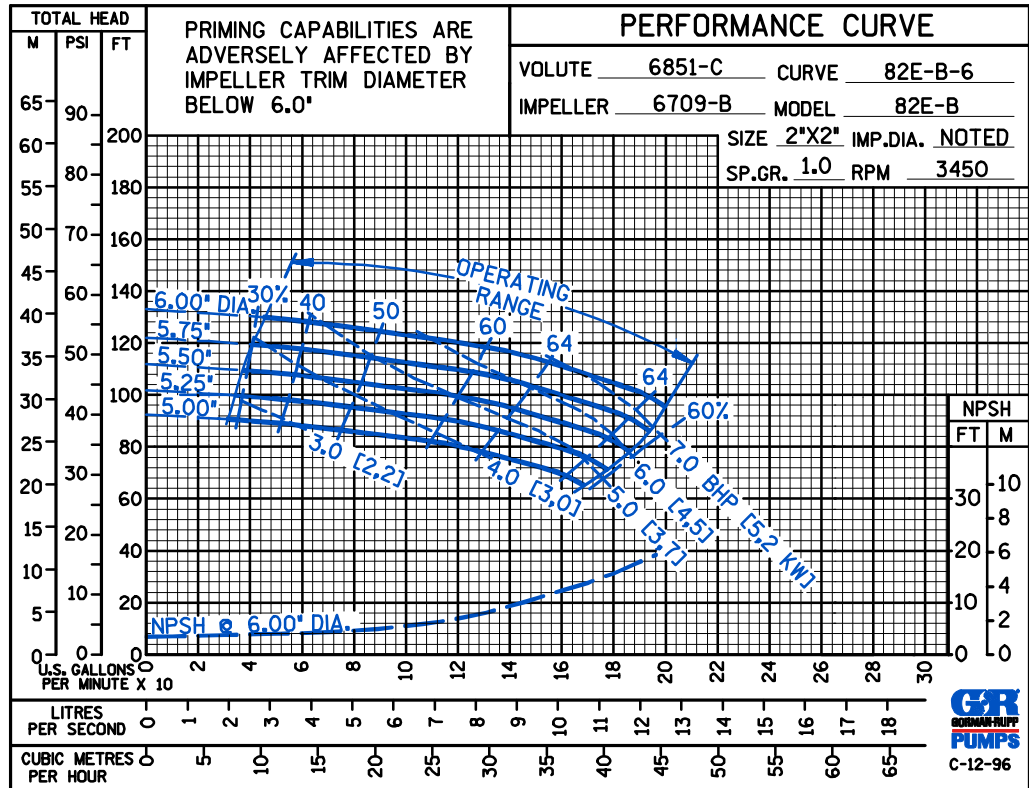
**NET WEIGHT:** 90 LBS. (40,8 KG.)  
**SHIPPING WEIGHT:** 100 LBS.(45,4 KG.)  
**EXPORT CRATE:** 7.9 CU. FT. (0,22 CU. M.)



**GORMAN-RUPP PUMPS**

www.grpumps.com

Specifications Subject to Change Without Notice



GORMAN-RUPP PUMPS

www.grpumps.com

Specifications Subject to Change Without Notice

© Copyright Gorman-Rupp Pumps 2023