

Self Priming Centrifugal Pump



Model 82H65-B

Size 2" x 2"

PUMP SPECIFICATIONS

Size: 2" x 2" (51 mm x 51 mm) NPT - Female.

Casing: Stainless Steel CD4MCu.

Maximum Operating Pressure 146 psi (1007 kPa)*.

Semi-Open Type, Four Vane Impeller: Stainless Steel CD4MCu.

Handles 3/4" (19,1 mm) Diameter Spherical Solids.

Impeller Shaft: Stainless Steel 17-4 PH.

Replaceable Wear Plate: Stainless Steel CD4MCu.

Pedestal: Gray Iron 30.

Seal Plate: Stainless Steel CD4MCu.

Flap Valve: Fluorocarbon (DuPont Viton® or Equivalent) and Stainless Steel 316.

Shaft Sleeve: Stainless Steel 17-4 PH.

Radial and Thrust Bearings: Open Single Row Ball.

Bearing Lubrication: SAE 30 Non-Detergent Oil.

Suction Flange: Stainless Steel CD4MCu.

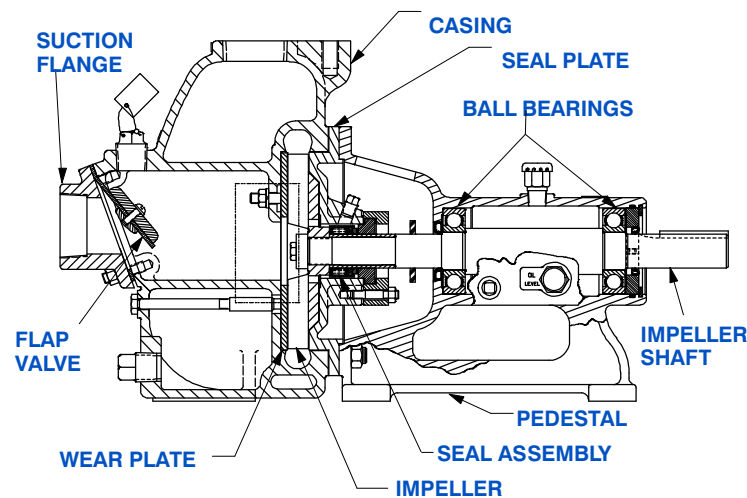
Gaskets: Fluorocarbon (DuPont Viton® or Equivalent).

Hardware: Stainless Steel 316.

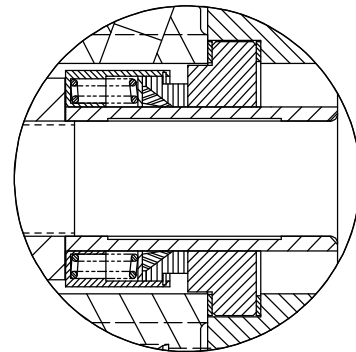
Oil Level Sight Gauge.

Optional Equipment: Suction and Discharge Companion Flange. 120/240 Volt Casing Heater. Consult Factory for Additional Options.

**Consult Factory for Applications Exceeding Maximum Pressure and/or Temperature Indicated.*



SEAL DETAIL Type 9, Mechanical, Self-Lubricated. Silicon Carbide Rotating and Stationary Faces. PTFE Sealing Wedge. Stainless Steel Alloy 20 Cage and Springs. Maximum Temperature of Liquid Pumped 160°F (71°C)*



GORMAN-RUPP PUMPS

www.grpumps.com

Specifications Subject to Change Without Notice

Printed in U.S.A.

Specification Data

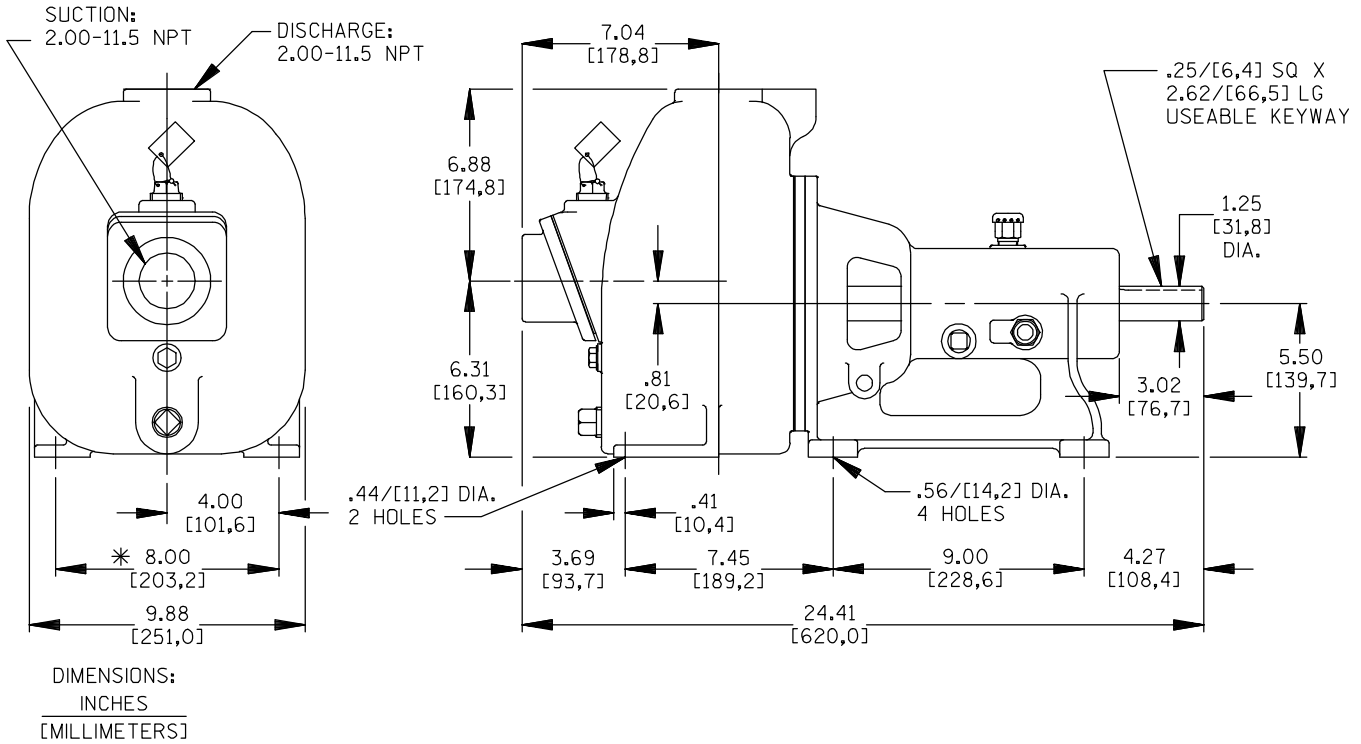
SECTION 50, PAGE 1302

APPROXIMATE DIMENSIONS and WEIGHTS

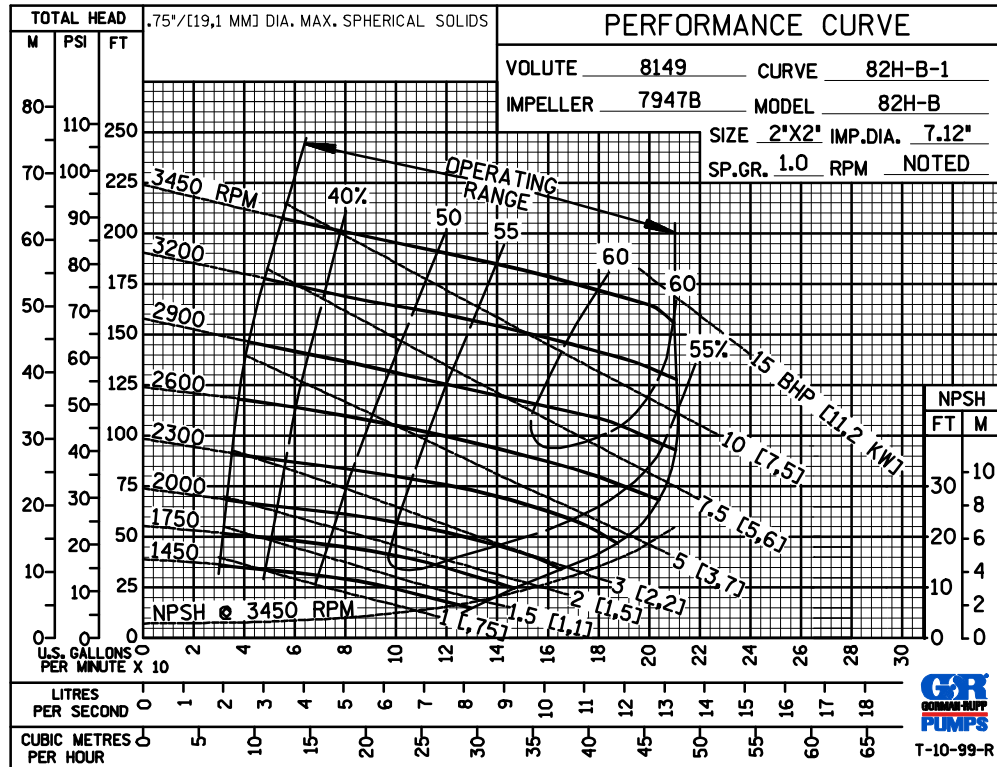
NET WEIGHT: 120 LBS. (54,4 KG.)

SHIPPING WEIGHT: 130 LBS. (58,9 KG.)

EXPORT CRATE: 7.9 CU. FT. (0,22 CU. M.)



MULTI-SPEED CURVE PERFORMANCE BASED ON WATER



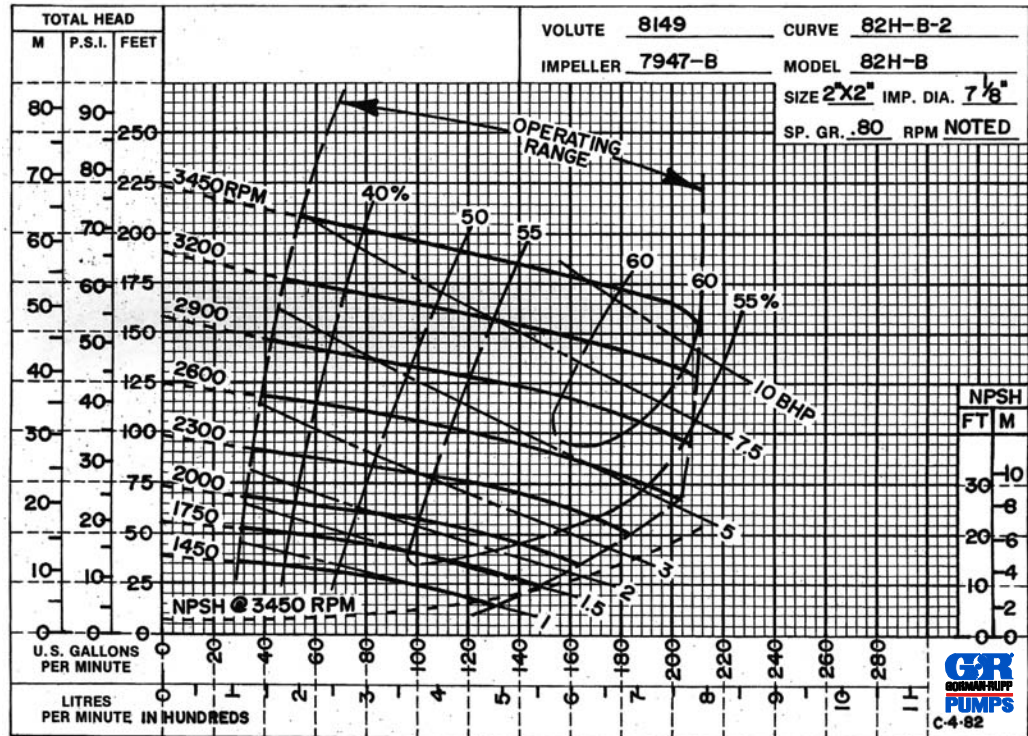
GORMAN-RUPP PUMPS

www.grpumps.com

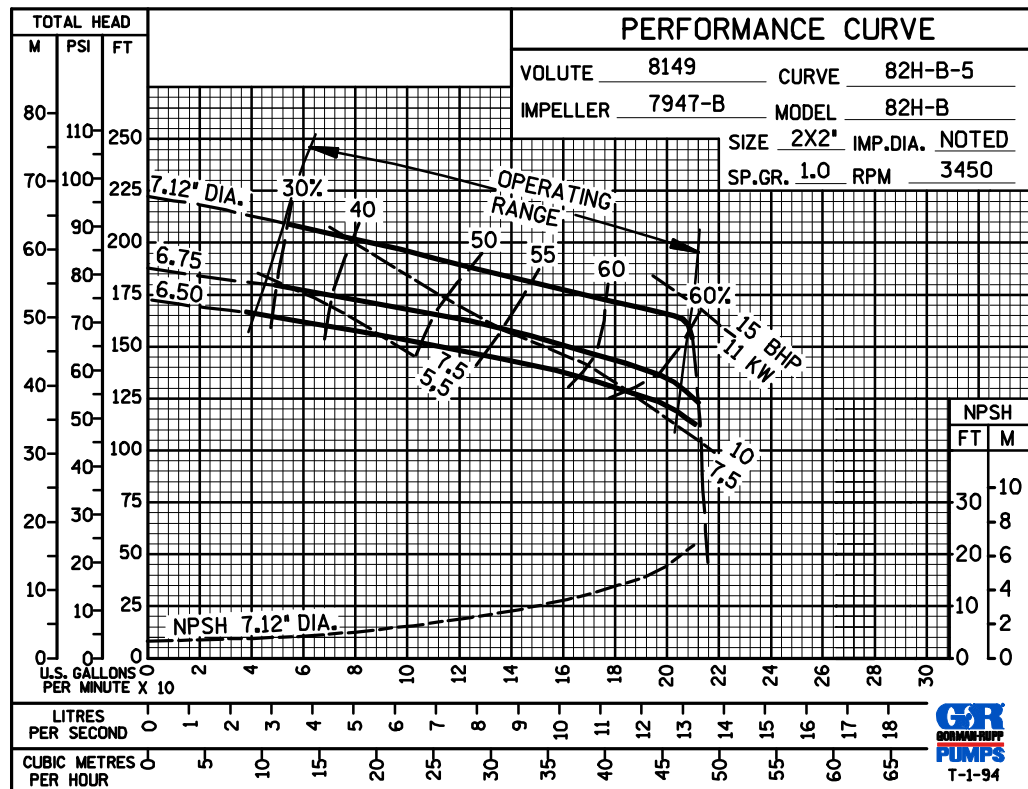
Specifications Subject to Change Without Notice

Printed in U.S.A.

**MULTI-SPEED
CURVE
PERFORMANCE
BASED ON
PETROLEUM**



**60 HERTZ
PERFORMANCE
BASED ON
WATER
TRIMMED
IMPELLER**



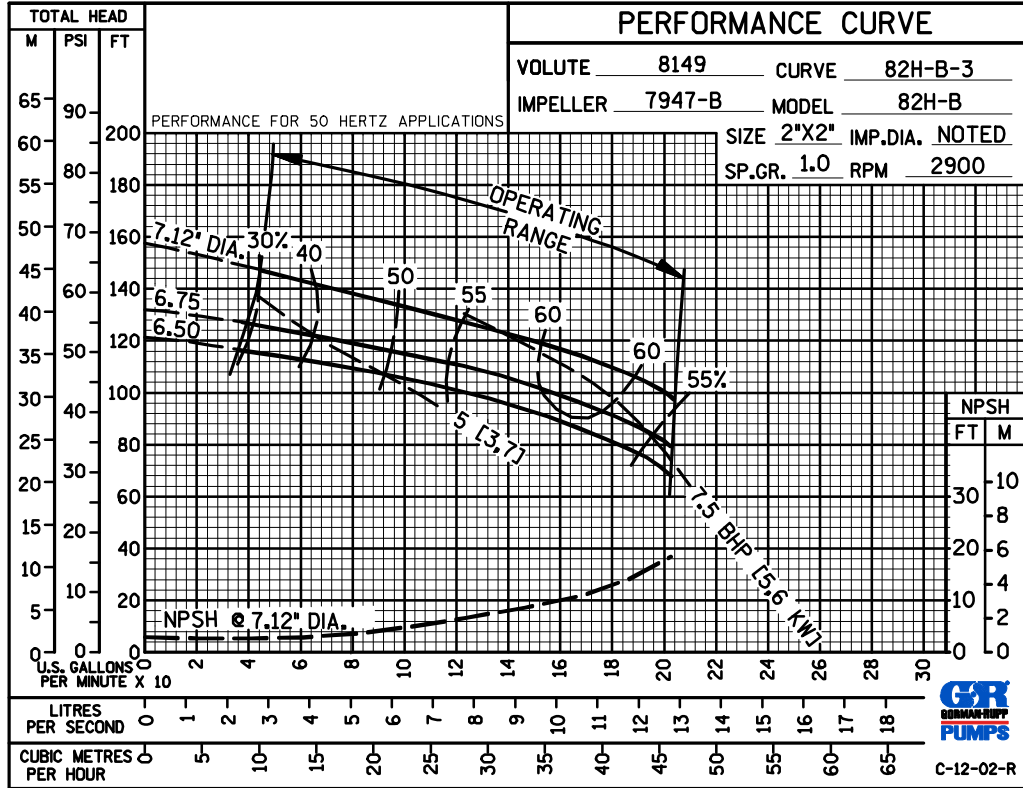
GORMAN-RUPP PUMPS

www.grpumps.com

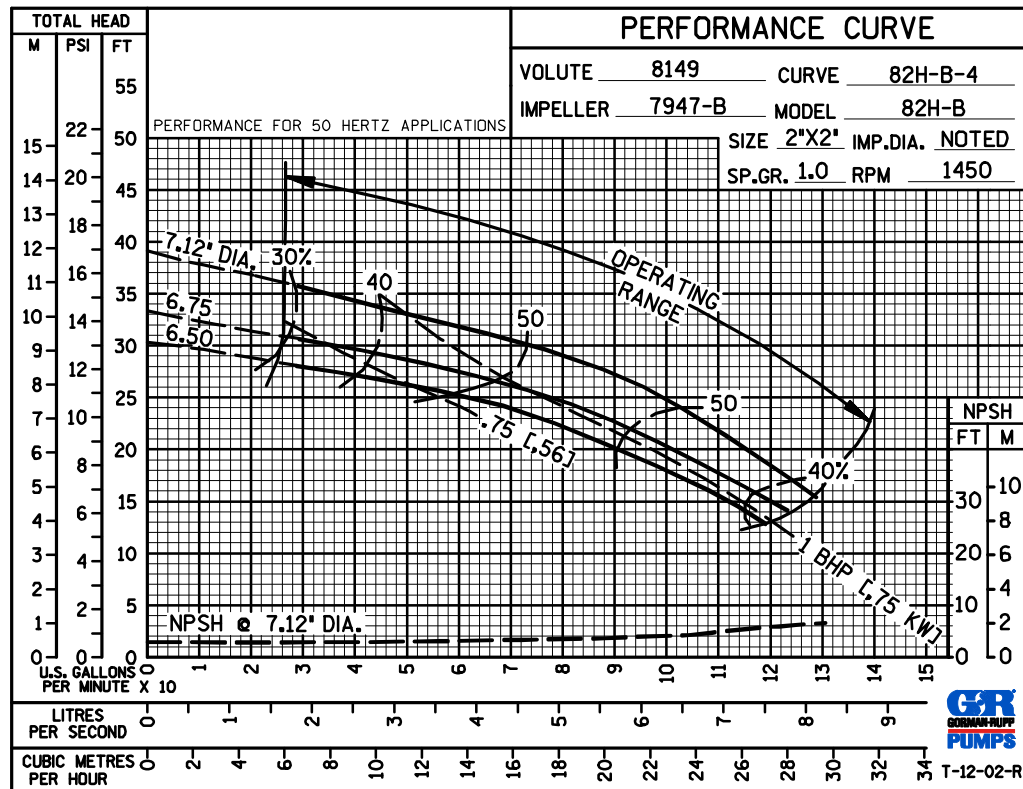
Specifications Subject to Change Without Notice

Printed in U.S.A.

50 HERTZ
PERFORMANCE
BASED ON
WATER
TRIMMED
IMPELLER



50 HERTZ
PERFORMANCE
BASED ON
WATER
TRIMMED
IMPELLER



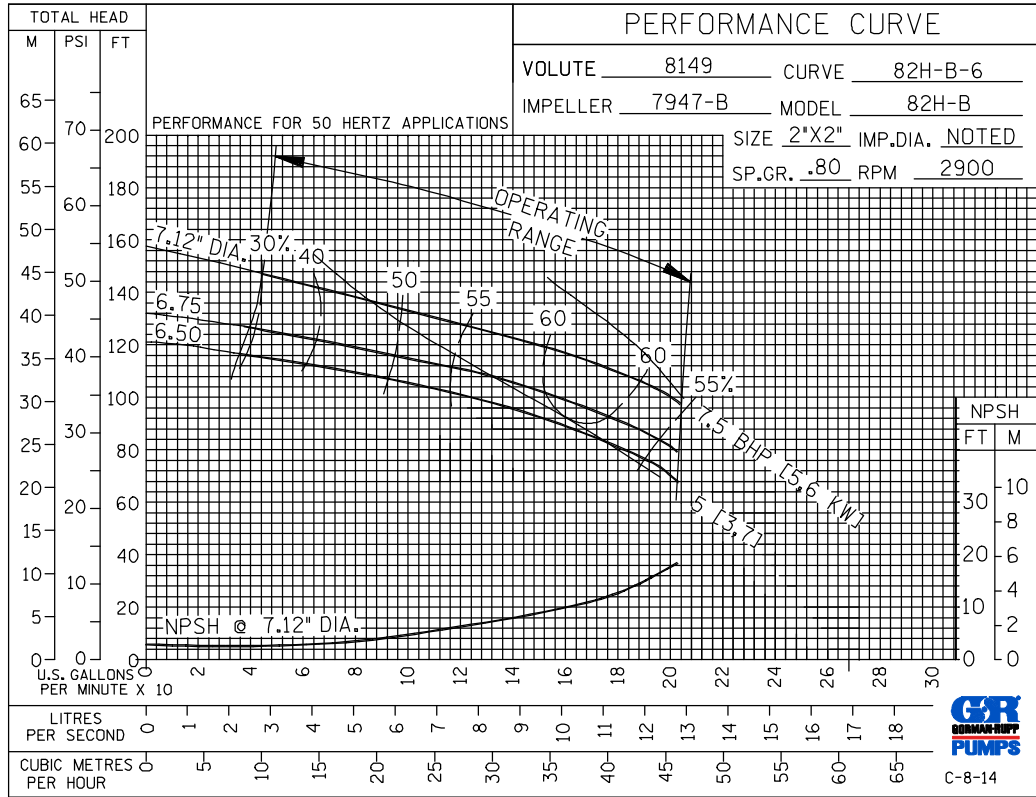
GORMAN-RUPP PUMPS

www.grpumps.com

Specifications Subject to Change Without Notice

Printed in U.S.A.

**50 HERTZ
PERFORMANCE
BASED ON
PETROLEUM
TRIMMED
IMPELLER**



GORMAN-RUPP PUMPS

www.grpumps.com

Specifications Subject to Change Without Notice

Printed in U.S.A.