

# Self Priming Centrifugal Pump



## Models 83C3-B and 83C52-B

### Size 3" x 3"

#### PUMP SPECIFICATIONS

**Size:** 3" x 3" (76 mm x 76 mm) NPT - Female.

**Casing:** Gray Iron 30.

Maximum Operating Pressure 85 psi (586 kPa)\*.

**Semi-Open Type, Four Vane Impeller:** Gray Iron 30.

Handles 7/8" (22,4 mm) Diameter Spherical Solids.

**Impeller Shaft:** Carbon Steel 1045.

**Replaceable Wear Plate:** Carbon Steel ASTM A36.

**Pedestal:** Gray Iron 30.

**Seal Plate:** Gray Iron 30.

**Shaft Sleeve:** Alloy Steel 4130.

**Flap Valve:** Buna-N<sup>™</sup>/Nylon Reinforcement and Gray Iron 30.

**Radial and Thrust Bearings:** Open Single Row Ball.

**Bearing Lubrication:** SAE 30 Non-Detergent Oil.

**Flanges:** Gray Iron 30.

**Gaskets:** Cork and Vegetable Fiber.

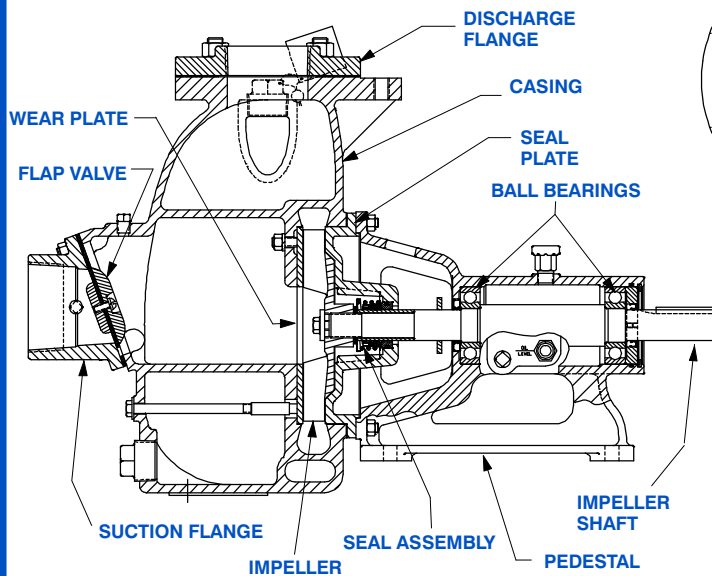
**O-Rings:** Buna-N

**Hardware:** Standard Plated Steel and Stainless Steel.

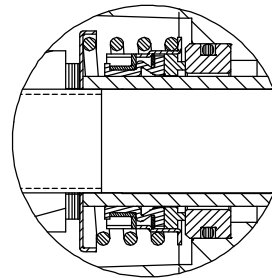
**Oil Level Sight Gauge.**

**Optional Equipment:** Consult Factory.

*\*Consult Factory for Applications Exceeding Maximum Pressure and/or Temperature Indicated.*

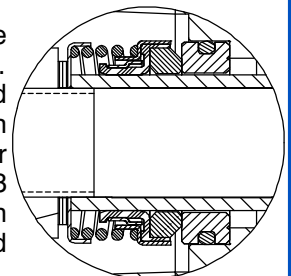


83C3-B SHOWN



**83C3-B SEAL DETAIL** Type 2, Mechanical, Self-Lubricated. Carbon Rotating Face. Ni-Resist Stationary Face. Fluorocarbon Elastomers (DuPont Viton<sup>®</sup> or Equivalent). Stainless Steel 18-8 Cage and Spring. Maximum Temperature of Liquid Pumped, 160°F (71°C).\*

**83C52-B SEAL DETAIL** Type 31, Mechanical, Self-Lubricated. Silicon Carbide Rotating and Stationary Faces. Fluorocarbon Elastomers (DuPont Viton<sup>®</sup> or Equivalent). Stainless Steel 18-8 Cage and Spring. Maximum Temperature of Liquid Pumped 160°F (71°C).\*



GORMAN-RUPP PUMPS

www.grpumps.com

Specifications Subject to Change Without Notice

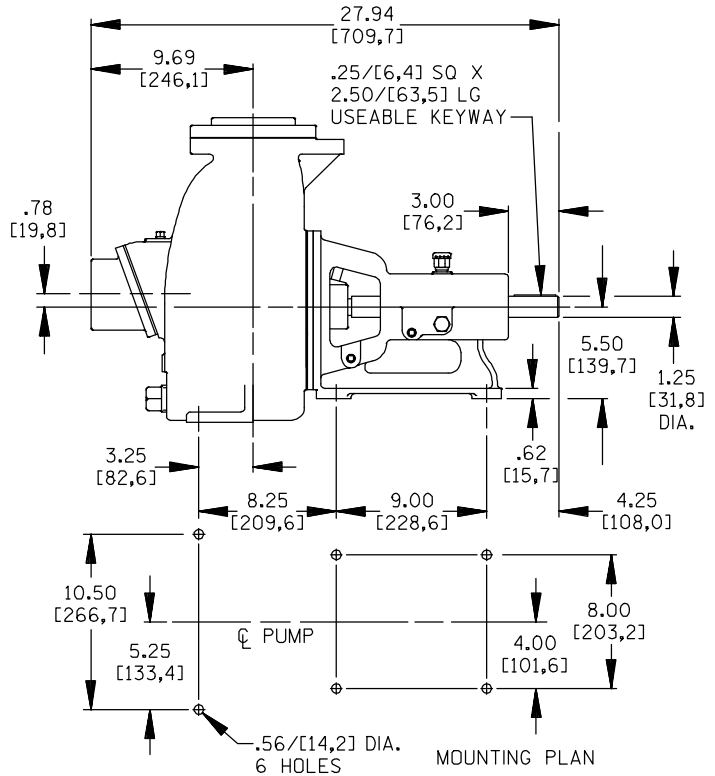
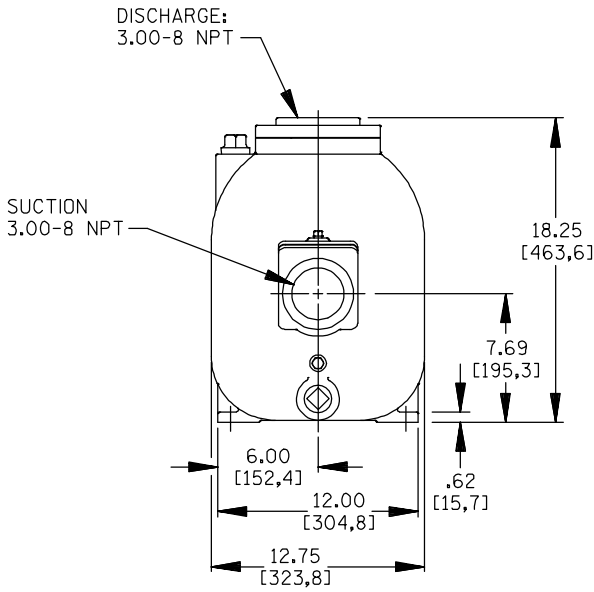
Printed in U.S.A.

**Specification Data**

SECTION 50, PAGE 1601

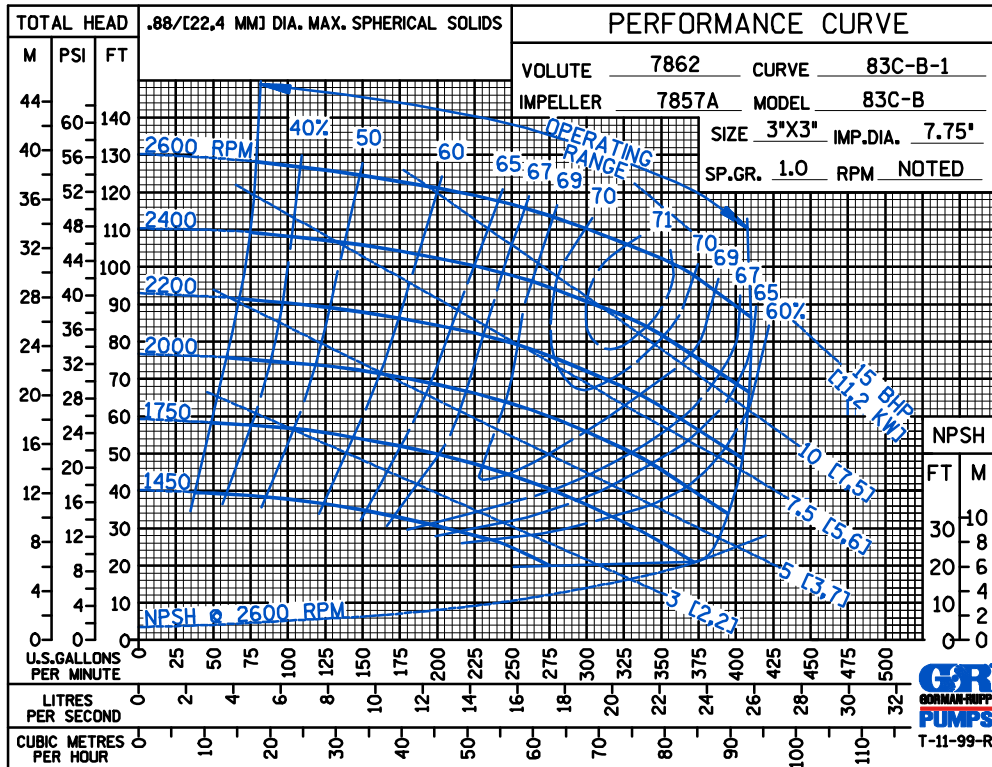
APPROXIMATE  
DIMENSIONS and WEIGHTS

**NET WEIGHT: 190 LBS. (86,2 KG.)**  
**SHIPPING WEIGHT: 200 LBS. (90,7 KG.)**  
**EXPORT CRATE: 12.7 CU. FT. (0,36 CU. M.)**



DIMENSIONS:  
INCHES  
[MILLIMETERS]

**MULTI-SPEED  
CURVE  
PERFORMANCE  
BASED ON  
WATER**



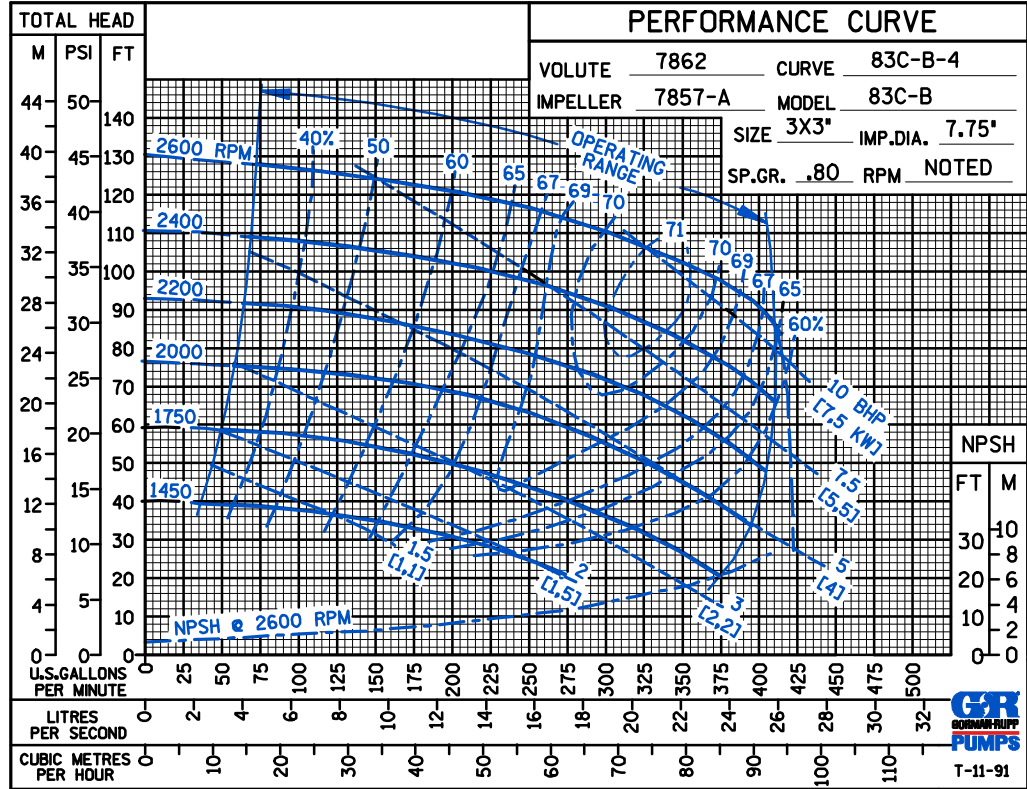
**GORMAN-RUPP PUMPS**

www.grpumps.com

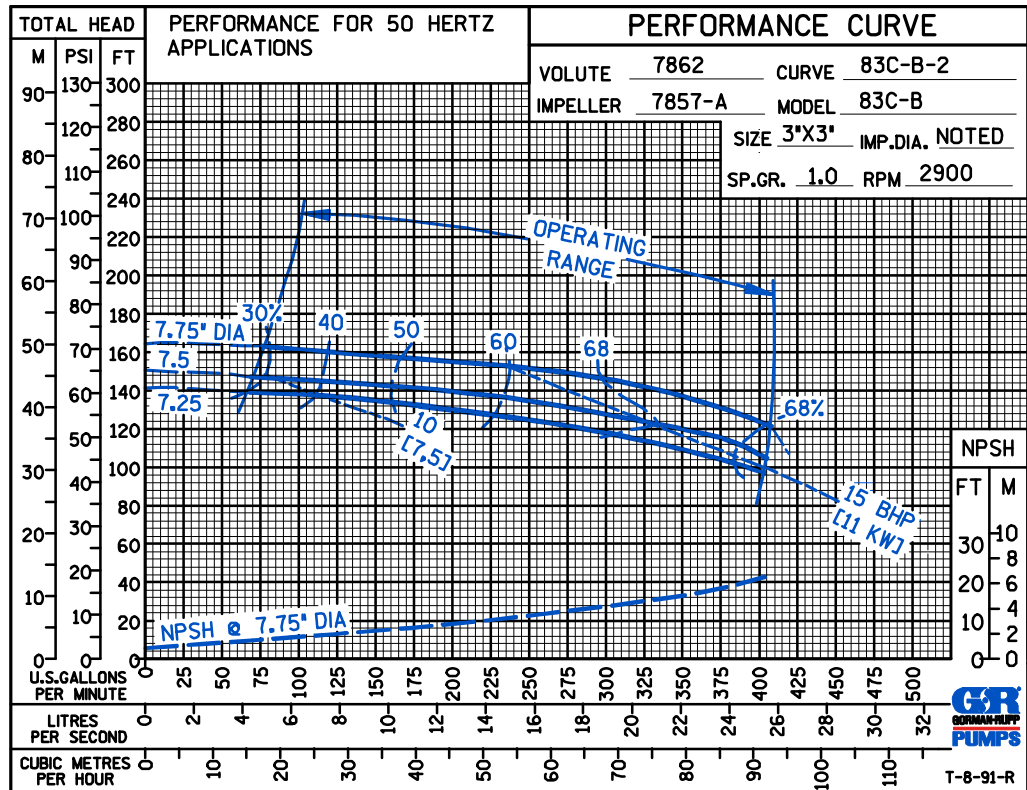
Specifications Subject to Change Without Notice

Printed in U.S.A.

**MULTI-SPEED  
CURVE  
PERFORMANCE  
BASED ON  
PETROLEUM**



**50 HERTZ  
PERFORMANCE  
BASED ON  
WATER**



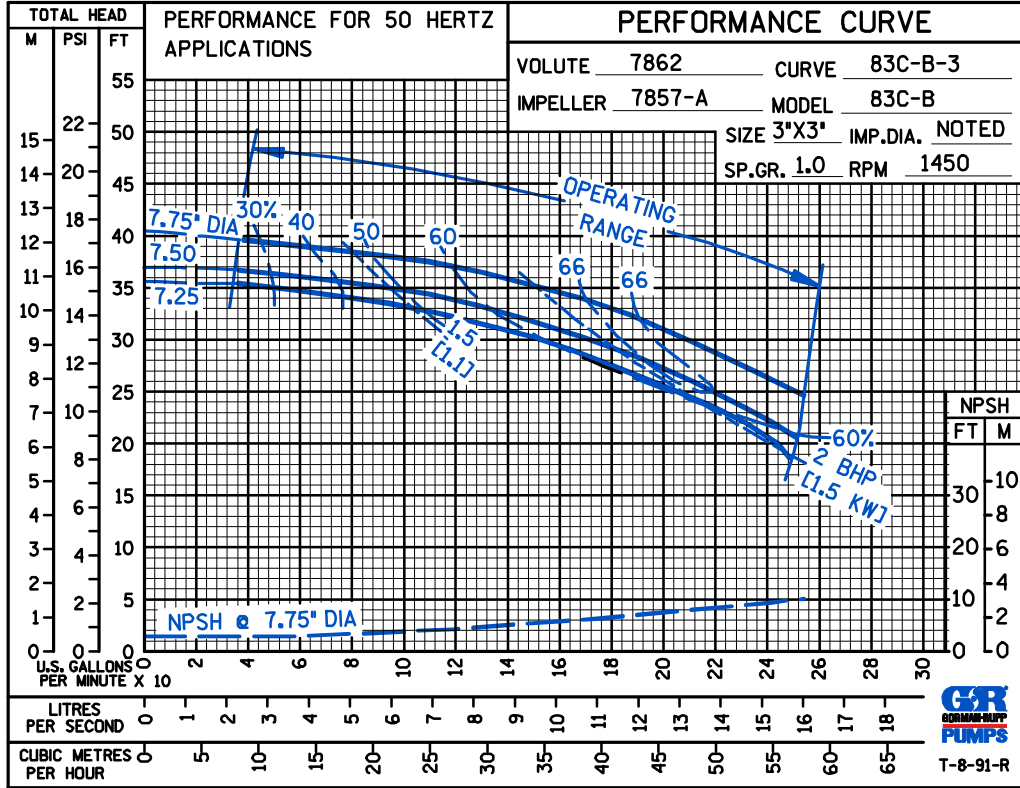
GORMAN-RUPP PUMPS

www.grpumps.com

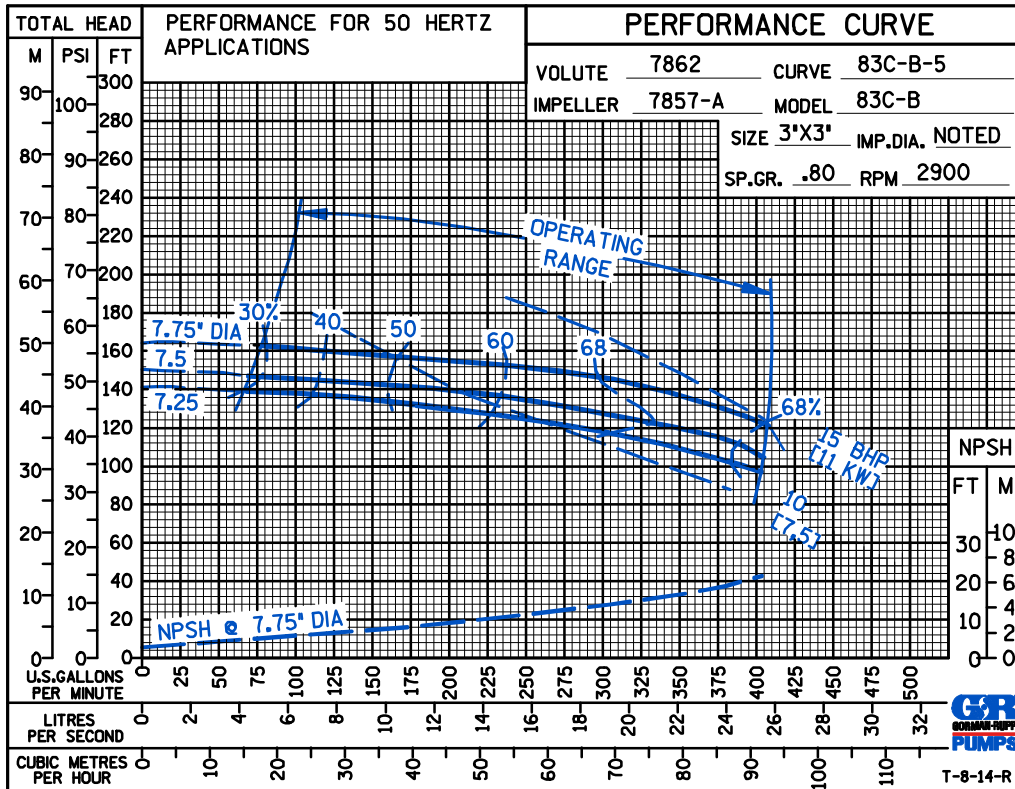
Specifications Subject to Change Without Notice

Printed in U.S.A.

50 HERTZ  
PERFORMANCE  
BASED ON  
WATER



50 HERTZ  
PERFORMANCE  
BASED ON  
PETROLEUM



GORMAN-RUPP PUMPS

www.grpumps.com

Specifications Subject to Change Without Notice

Printed in U.S.A.