

## SPECIFICATION DATA

G-R HARD IRON FITTED BASIC PUMP  
EQUIPPED WITHSuper  
**T SERIES****ERADICATOR**  
Solids Management System

## SELF-PRIMING CENTRIFUGAL PUMP

Model: T2E71SC-B

Various Patents Apply

## Pump Specifications

Size	2" x 2" (51 mm x 51 mm) NPT - Female
Impeller Type	Semi-Open, Two Vane
Solids-Handling Capability	.75" (19,1 mm) Spherical Diameter
Seal Type	Mechanical, Oil-Lubricated, Double Floating, Self-Aligning
Radial Bearing	Open Single Row Ball
Thrust Bearing	Open Double Row Ball
Bearing and Seal Cavity Lubrication	SAE 30 Non-Detergent Oil
Maximum Operating Pressure	98 psi (676 kPa)*
Max Temp of Liquid Pumped	160°F (71°C).*

## Pump Materials

Casing	Gray Iron 30
Impeller	GR Hard Iron
Impeller Shaft	Alloy Steel 4150
Shaft Sleeve	Alloy Steel 4130
Seal: Stationary Face	Silicon Carbide
Rotating Face	Silicon Carbide
Elastomer	Fluorocarbon FKM, (Viton® or Equivalent)
Replaceable Self Cleaning Wear Plate	Hardened Alloy Steel
Removable Adjustable Cover Plate	Gray Iron 30
Removable Inspection Cover Plate	Gray Iron 30 – 3.2 lbs. (1,5 kg.)
Flap Valve	Neoprene with Nylon and Steel Reinforcing
Seal Plate	GR Hard Iron
Bearing Housing	Gray Iron 30
Flanges	Gray Iron 30
Gaskets	Buna-N, Vegetable Fiber, PTFE, Cork and Rubber
O-Rings	Buna-N, Fluorocarbon (Viton® or Equivalent)
Hardware	Standard Plated Steel

\*Consult Factory for Applications Exceeding Maximum Pressure and/or Temperature Indicated.

**Standard Equipment:** Brass Pressure Relief Valve, Bearing and Seal Cavity Oil Level Sight Gauges. Eradicator Solids Reduction System with Self-Cleaning Wearplate.**Optional Equipment:** Automatic Air Release Valve, 120V/240V Casing Heater, High Pump Temperature Shutdown Kit, Drain Kit, Gauge Kit.

Suction and Discharge Spool Flanges:

2" ASA (Specify Model T2E71SC-B /F)

50 mm DIN 2527 – PN 16 (Specify Model T2E71SC-B /FM).



Shown with Optional Suction and Discharge Spool Flanges (Available in ASA or DIN Standard Sizes).

## Super T Series With Eradicator Features and Benefits

**Easy To Service And Maintain** - Pump is mounted above liquid being pumped with only the suction line down in liquid.**Dual Bearing Protection** – An atmospheric barrier along with two lip seals provide additional protection of the pump bearings (not available on 2" models).**Inspection Cover** – Patented, lightweight inspection cover for easy access to the impeller without removing the entire backcover plate or piping. (2" – 8" models).**Self-Cleaning Wearplate** - Incorporating a number of notches and grooves, as well as a revolutionary tooth (tooth used on T3 – T10 models), that helps break up stringy materials and pass them through the pump without impacting performance or interrupting service. This greatly reduces troublesome clogging and expensive downtime.

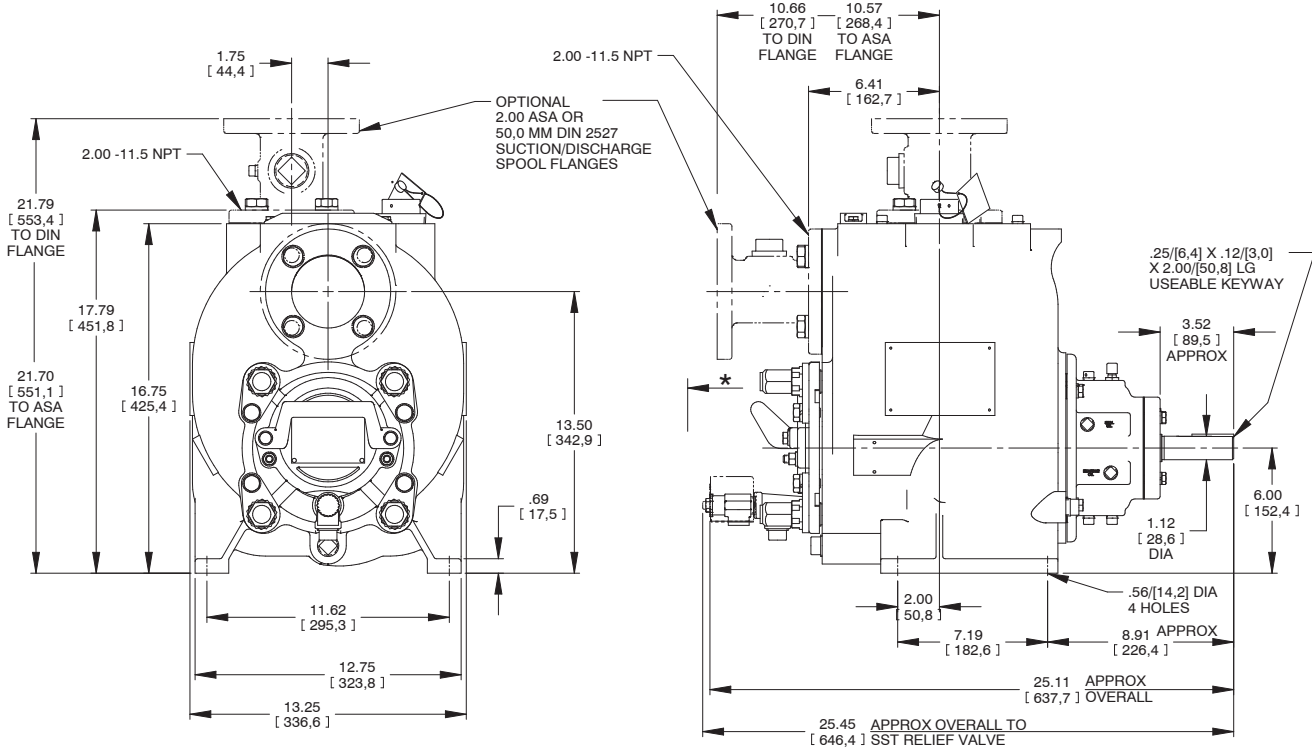
## 5 Year Super T Series Warranty

**Up To 3" Diameter Spherical Solids Handling** (4" – 10" models).**Removable Rotating Assembly** – The entire rotating assembly can be removed without disturbing the pump volute or piping allowing the rotating assembly to be easily repaired or quickly replaced with a new ready to drop in assembly.

### APPROXIMATE DIMENSIONS AND WEIGHTS

<b>NET WEIGHT</b>	220 LBS. (100 KG.)*
<b>SHIPPING WEIGHT</b>	230 LBS. (104 KG.)*
<b>EXPORT CRATE</b>	7.9 CU. FT. (0,22 CU. M.)

\*Add 8 LBS. (3,6 KG.) w/each spool flange



\* 18.00/[457,2] RECOMMENDED FOR REMOVAL OF BACK COVER PLATE  
 T2CSC-B - 8.50/[215,9] REQUIRED FOR REMOVAL OF BACK COVER PLATE  
 T2DS-B / T2ESC-B - 9.50 / [241,3] REQUIRED FOR REMOVAL OF BACK COVER PLATE

