

Standard Centrifugal Pump

Model 62F31-B

Size 3" x 2"



PUMP SPECIFICATIONS

Size: 3" x 2" (76 mm x 52 mm) Flanged.

Casing: Ductile Iron 65-45-12.

Maximum Operating Pressure 182 psi (1255 kPa).*

Enclosed Type, Four Vane Impeller: Aluminum Alloy 356-T6.

Handles 1/4" (6,4 mm) Diameter Spherical Solids.

Impeller Shaft: Carbon Steel 1045.

Bearing Housing: Ductile Iron 65-45-12.

Bearing Housing Lubrication: Grease.

Body Cover: Ductile Iron 65-45-12.

Radial and Thrust Bearings: Sealed Single Row Ball.

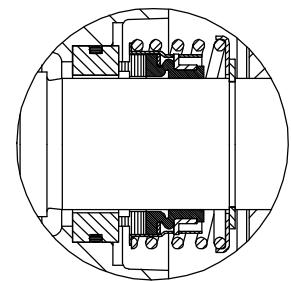
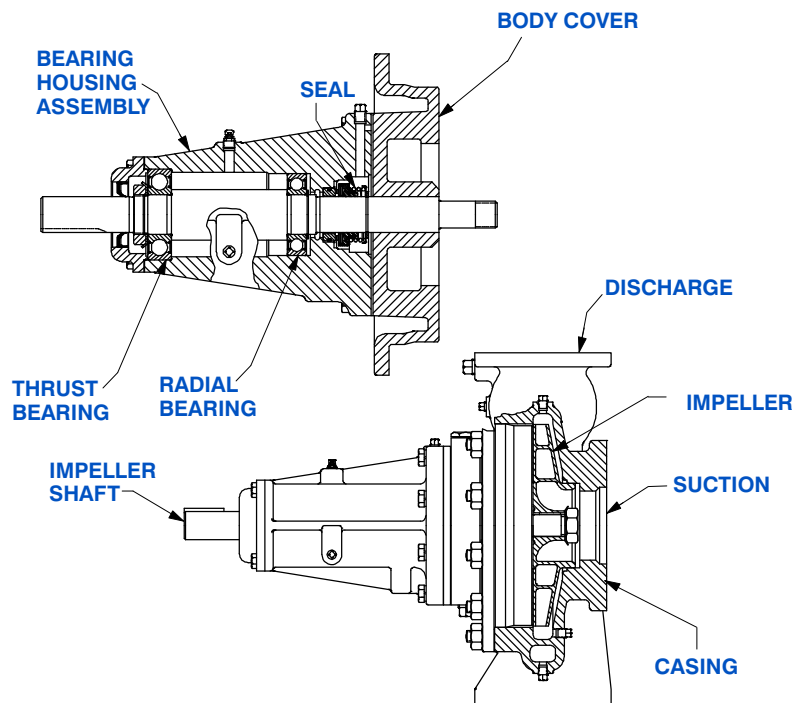
Gaskets: Buna-N.

Hardware: Standard Plated Steel.

Optional Equipment: 3" NPT Suction and 2" NPT Discharge

Flange Kit. Strainer. Copper Alloy C93700 Impeller. PTFE Seal.

**Consult Factory for Applications Exceeding Maximum Pressure and/or Temperature Indicated.*



SEAL DETAIL

Type 2, Mechanical Self-Lubricated. Carbon Rotating Face. Ni-Resist Stationary Face. Fluorocarbon Elastomers (DuPont Viton® or Equivalent). Stainless Steel 18-8 Cage and Spring. Maximum Temperature of Liquid Pumped, 160°F [71°C].*



GORMAN-RUPP PUMPS

www.grpumps.com

Specifications Subject to Change Without Notice

Printed in U.S.A.

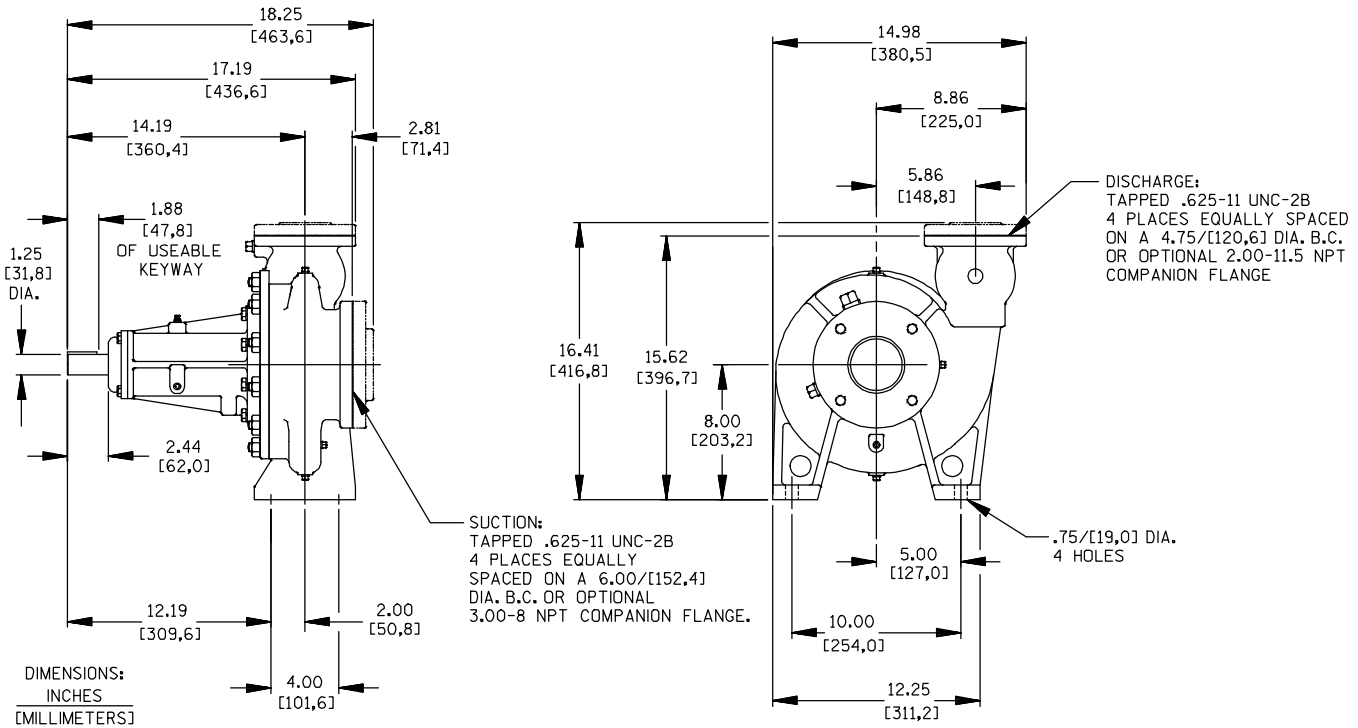
Specification Data

SECTION 70, PAGE 250

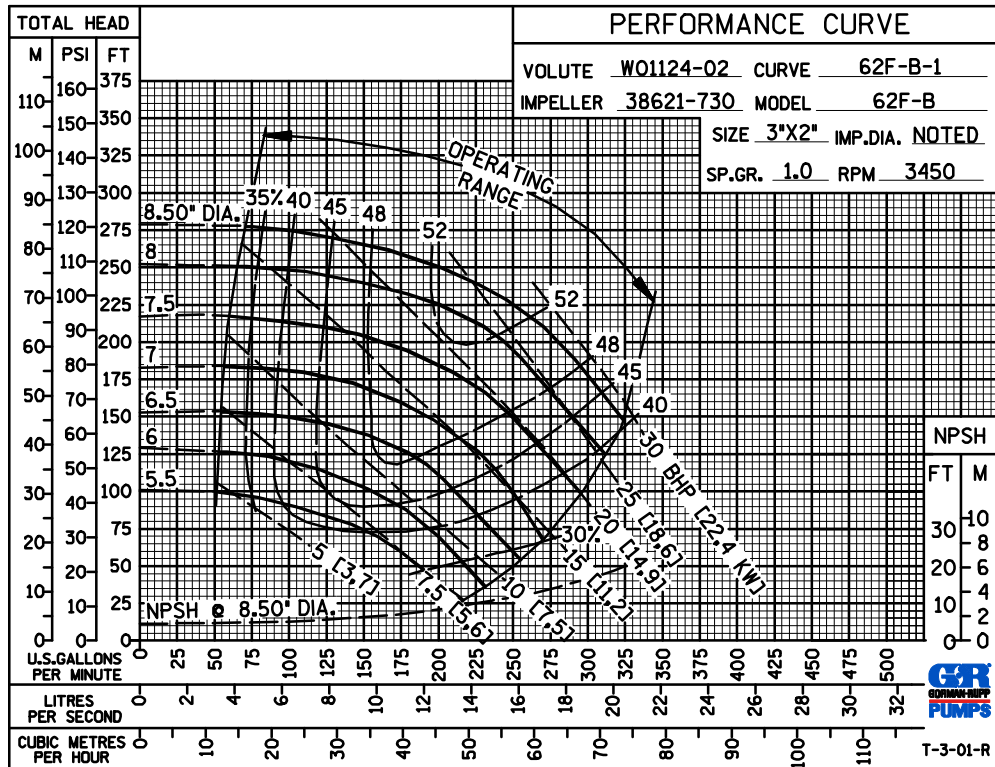
APPROXIMATE
DIMENSIONS and WEIGHTS

NET WEIGHT:
SHIPPING WEIGHT:
EXPORT CRATE:

140 LBS. (63,5 KG.)
150 LBS. (68 KG.)
5.6 CU. FT. (0,16 CU. M.)



**60 HERTZ
PERFORMANCE
BASED ON
WATER**



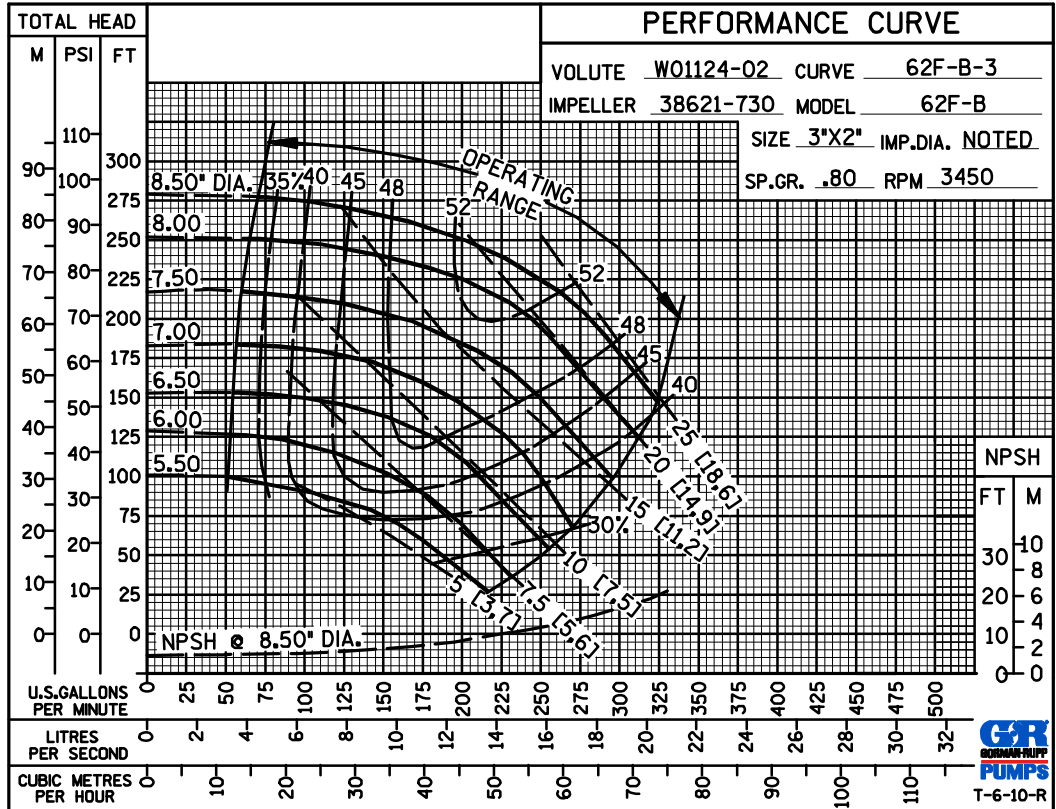
GORMAN-RUPP PUMPS

www.grpumps.com

Specifications Subject to Change Without Notice

Printed in U.S.A.

60 HERTZ
PERFORMANCE
BASED ON
PETROLEUM



GORMAN-RUPP PUMPS

www.grpumps.com

Specifications Subject to Change Without Notice

Printed in U.S.A.