

# Standard Centrifugal Pump



## Model 612L20-B

### Size 12" x 12"

#### PUMP SPECIFICATIONS

**Size:** 12" x 12" (304 mm x 304 mm) Flanged.

**Casing:** Gray Iron 30.

Maximum Operating Pressure 63 psi (434 kPa).\*

**Enclosed Type, Four Vane Impeller:** Ductile Iron 80-60-03.

Handles 1 7/8" (47,6 mm) Diameter Spherical Solids.

**Impeller Shaft:** Stainless Steel 17-4 PH.

**Replaceable Suction Head Wear Ring:** Copper Alloy C93200.

**Replaceable Impeller Wear Ring:** Copper Alloy C83600.

**Pedestal:** Gray Iron 30.

**Seal Plate:** Gray Iron 30.

**Radial Bearing:** Open Single Row Ball.

**Thrust Bearing:** Open Double Row Ball.

**Bearing and Seal Cavity Lubrication:** SAE 30 Non-Detergent Oil.

**Suction Head:** Gray Iron 30.

**Gaskets:** Vegetable Fiber.

**Hardware:** Standard Plated Steel.

**Strainer.**

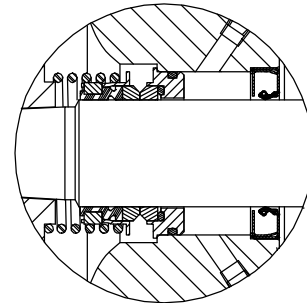
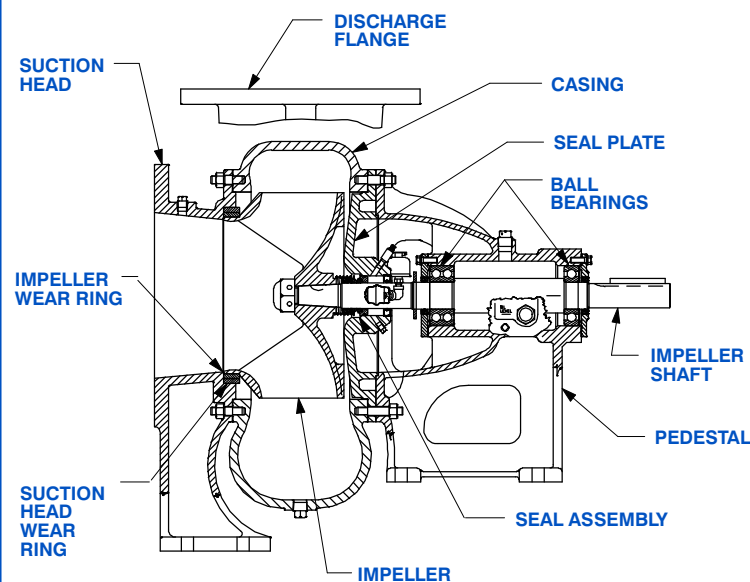
**Bearing Cavity Oil Level Sight Gauge.**

**Seal Cavity Bottle Oiler.**

**Optional Equipment:** 12" NPT Flanged Suction Head.

12" NPT Discharge Flange. Hand Primer.

*\*Consult Factory for Applications Exceeding Maximum Pressure and/or Temperature Indicated.*



#### SEAL DETAIL

Mechanical, Oil-Lubricated, Double-Floating, Self-Aligning. Tungsten Titanium Carbide Rotating Face and Stationary Face. Stainless Steel 316 Stationary Seat. Fluorocarbon Elastomers (DuPont Viton® or Equivalent). Stainless Steel 316 Cage and Spring. Maximum Temperature of Liquid Pumped, 160°F (71°C).\*



## GORMAN-RUPP PUMPS

www.grpumps.com

Specifications Subject to Change Without Notice

Printed in U.S.A.

