

For Power-Take-Off Drive



Self Priming Centrifugal Pump

Model 04E1-GA

Size 4" x 4"

PUMP SPECIFICATIONS

Size: 4" x 4" (102 mm x 102 mm) Victaulic®.

Casing: Aluminum 356-T6.

Maximum Operating Pressure 322 psi (2219 kPa).*

Enclosed Type, Six Vane Impeller: Aluminum 356-T6.

Handles 11/16" (17 mm) Diameter Spherical Solids.

Impeller/Pinion Shaft: Alloy Steel 8620.

Two Replaceable Wear Rings: Gray Iron 30.

Suction Head: Aluminum 356-T6.

Gearbox Housing: Gray Iron 30.

Gears: Alloy Steel 8620.

Gear Ratio: 2.18:1 Increaser.

Bearings: Open Single Row Ball.

Gearbox Lubrication: SAE 90 Gear Oil.

Discharge Flange: Aluminum 356-T6.

Gaskets: Vegetable Fiber and Cork.

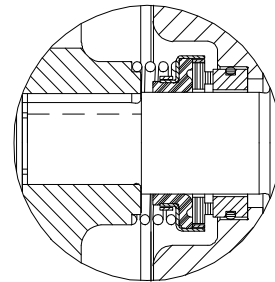
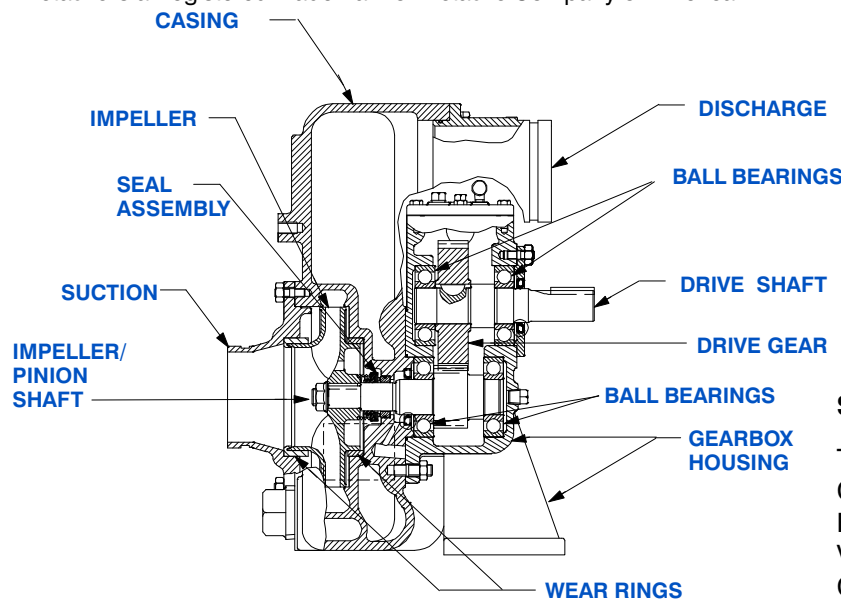
O-Rings: Buna-N and Fluorocarbon (DuPont Viton® or Equivalent).

Hardware: Standard Plated Steel.

Optional Equipment: Copper Alloy C83600 Impeller and Wear Ring.

**Consult Factory for Applications Exceeding Maximum Pressure and/or Temperature Indicated.*

Victaulic is a Registered Trademark of Victaulic Company of America.



SEAL DETAIL

Type 2, Mechanical. Self-Lubricated. Carbon Rotating Face. Ni-Resist Stationary Face. Fluorocarbon Elastomers (DuPont Viton® or Equivalent). Stainless Steel 18-8 Cage and Spring. Maximum Temperature of Liquid Pumped, 160°F (71°C).*

Rotation: Counterclockwise Facing Gearbox Input Shaft.



GORMAN-RUPP PUMPS

www.grpumps.com

Specifications Subject to Change Without Notice

Printed in U.S.A.

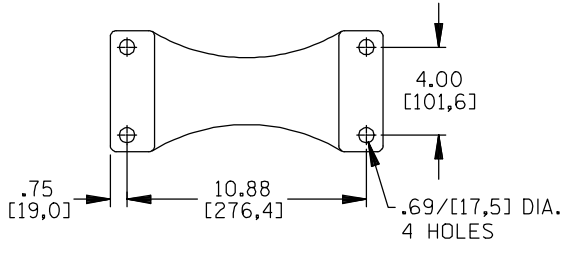
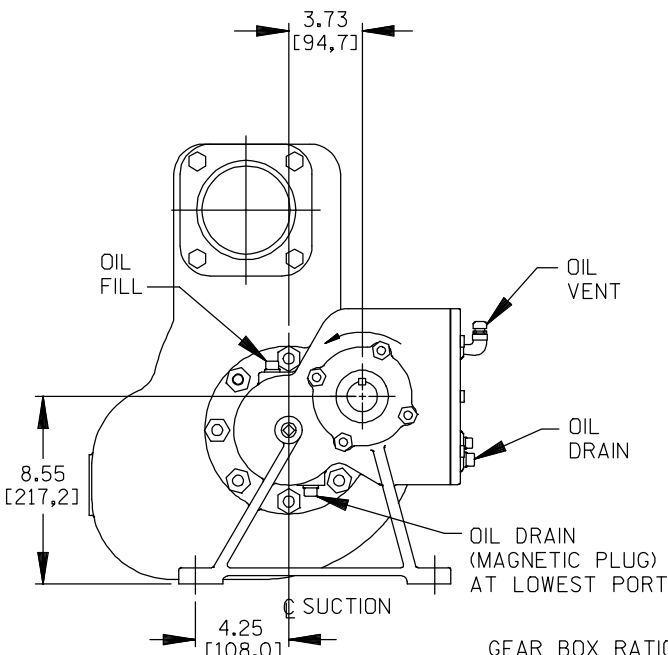
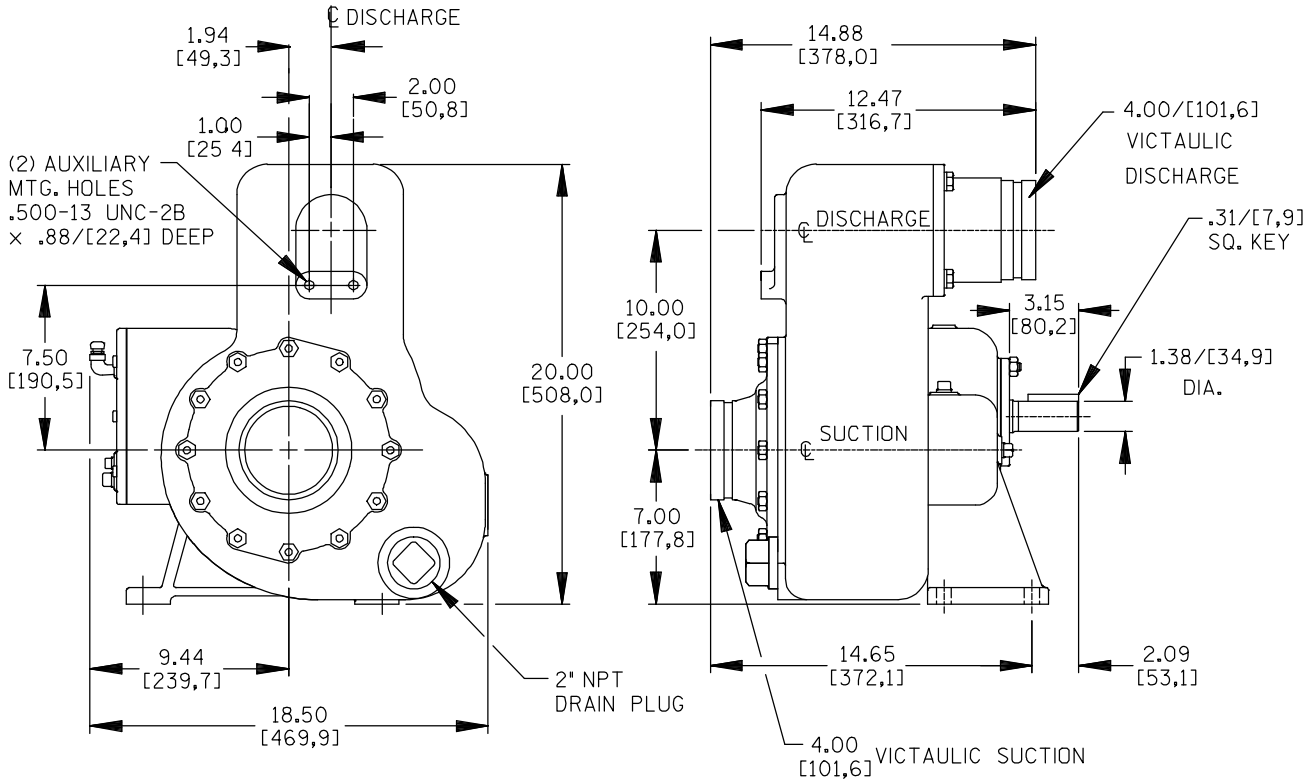
Specification Data

APPROXIMATE
DIMENSIONS and WEIGHTS

NET WEIGHT:
SHIPPING WEIGHT:
EXPORT CRATE:

124 LBS. (56 KG)
146 LBS. (66 KG)
10 CU. FT. (0,3 CU. M.)

SECTION 110, PAGE 612



GEAR BOX RATIO: 2.18:1 INCREASER

DIMENSIONS:
INCHES
[MILLIMETERS]

Victaulic is a Registered Trademark of Victaulic Company of America.



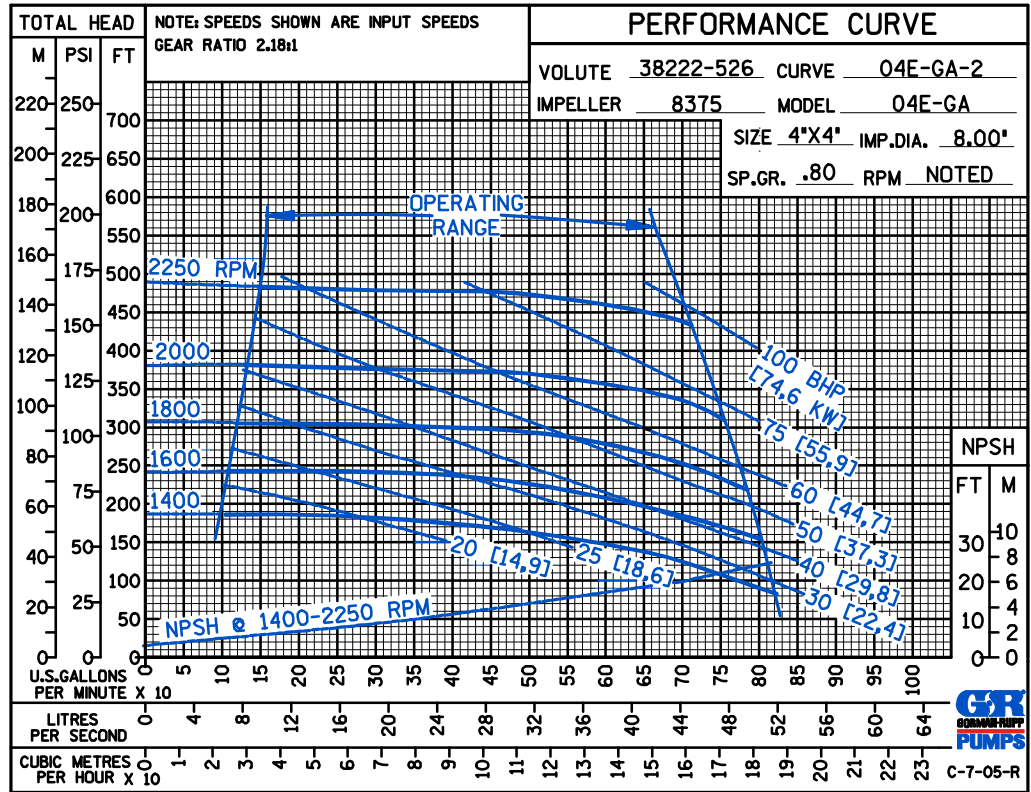
GORMAN-RUPP PUMPS

www.grpumps.com

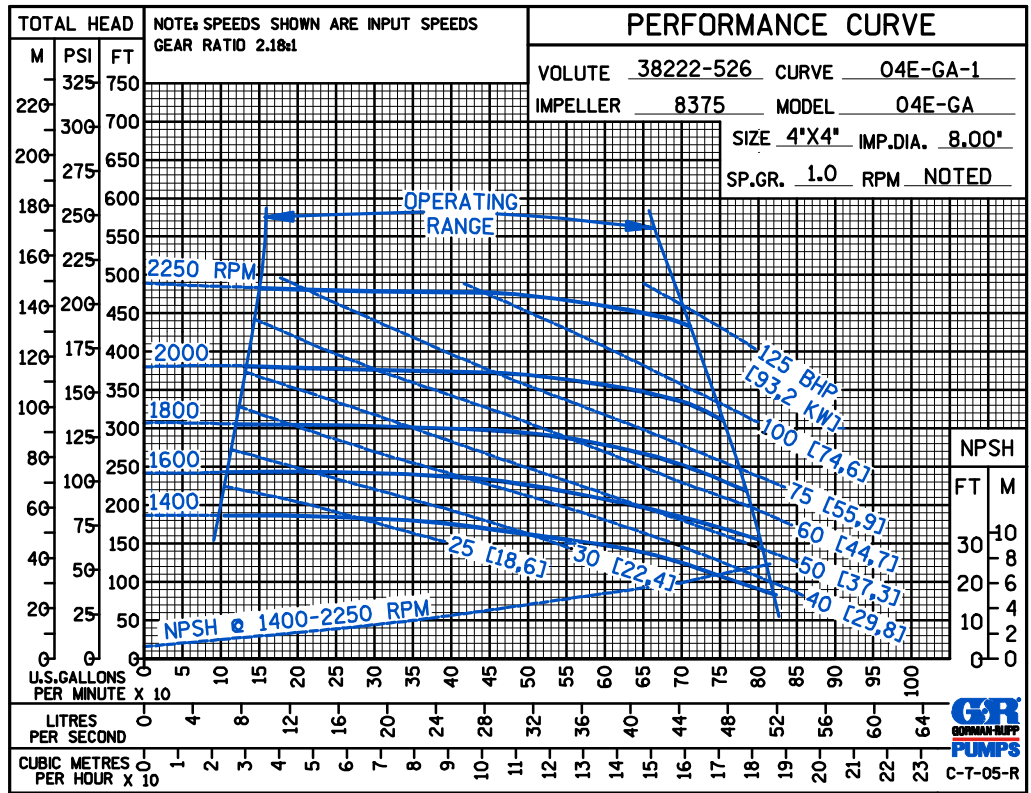
Specifications Subject to Change Without Notice

Printed in U.S.A.

PERFORMANCE
BASED ON
PETROLEUM



PERFORMANCE
BASED ON
WATER



GORMAN-RUPP PUMPS

www.grpumps.com

Specifications Subject to Change Without Notice

Printed in U.S.A.